



# MICRO SWITCH

FREEDPORT, ILLINOIS, U.S.A.  
A DIVISION OF HONEYWELL

FED. MFG. CODE 91929

# SWITCH-BASIC



CATALOG LISTING

## V 3-1

### CK-A0100

# 5

V 3-1

M

DRAWING NUMBER

10/18/2023

10/18/2023

10/18/2023

10/18/2023

VISIONS

CO 20189  
M B F  
MAY 65

CO 21688  
B F  
OCT 66

CO 24941  
B S  
DEC 68

CO 26075  
M B S  
AUG 69

CO 31509  
D A W  
JAN 73

CO 32395  
GLH  
AUG 73

CO 56987  
SMA  
OCT 85

CO 74634  
K D R  
MAY 93

REPLACES

RELEASE NO.

18 MAY 65

18 MAY 65

18 MAY 65

18 MAY 65

18 MAY 65

18 MAY 65

18 MAY 65

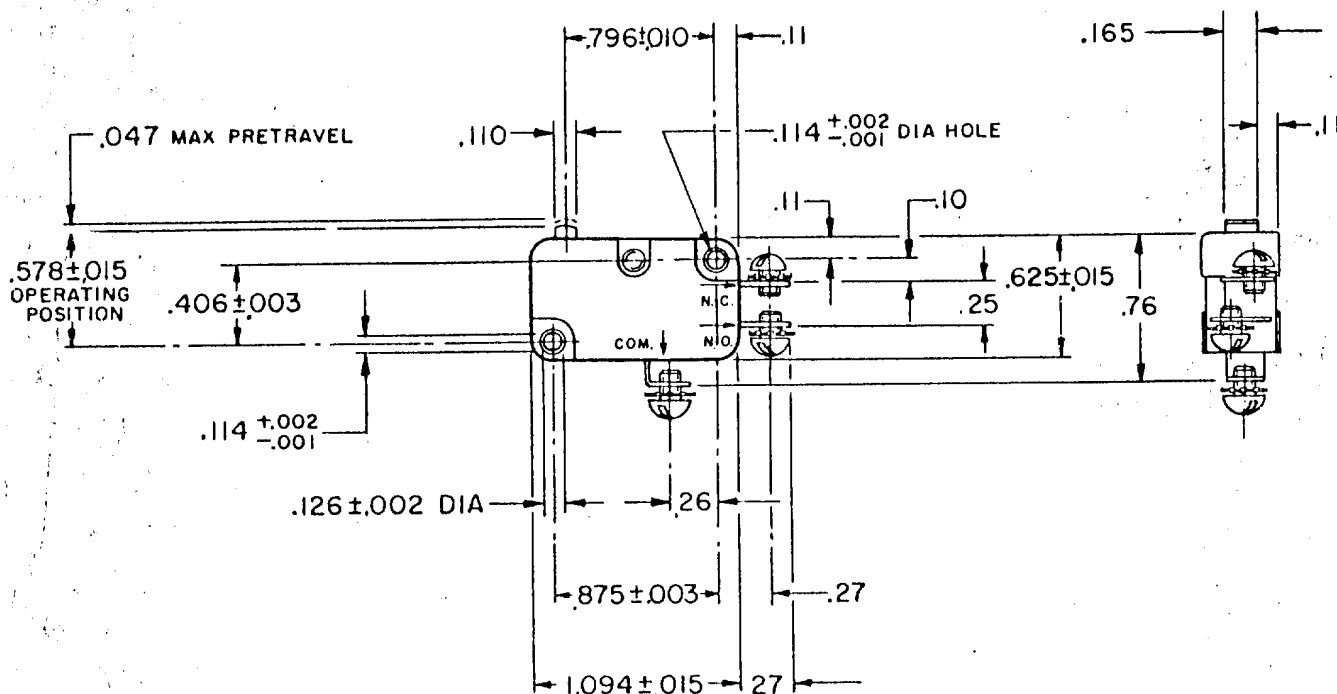
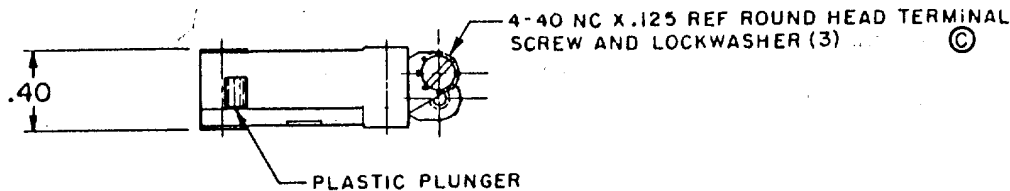
18 MAY 65

18 MAY 65

18 MAY 65

18 MAY 65

18 MAY 65



THIS DRAWING COVERS A PROPRIETARY ITEM AND IS THE PROPERTY OF MICRO SWITCH, A DIVISION OF HONEYWELL. THIS DRAWING IS NOT TO BE COPIED OR USED WITHOUT THE APPROVAL OF MICRO SWITCH.

### CHARACTERISTICS

OPERATING FORCE	6 - 14 OZ
RELEASE FORCE	4 OZ MIN
DIFFERENTIAL TRAVEL	.006 - .016
OVERTRAVEL	.040 MIN
FREE POSITION	.625 MAX
RELEASE TRAVEL	.007 MIN

### ELECTRICAL DATA

CONTACT ARRANGEMENT S P D T
L83 15.1A 1/2HP 125 OR 250 VAC 1/2A 125 VDC, 1/4A 250 VDC 5A 125 VAC "L"
Ⓡ Ⓢ

### SCALE FULL

DO NOT SCALE PRINT		
UNLESS OTHERWISE NOTED		
DIMENSIONS ARE IN INCHES		
TOLERANCES ARE:		
ONE PLACE	(.0)	±.030
TWO PLACE	(.00)	±.015
THREE PLACE	(.000)	±.005
ANGLES		±
WEIGHT .017 LB		

FC-50378

DRAWN

M B F 6 MAY 65