



MICRO SWITCH
 FREEPORT, ILLINOIS, U.S.A.
 A DIVISION OF HONEYWELL
 FED. MFG. CODE 91929

SWITCH-BASIC

CATALOG LISTING

V3-15

CK-A1500

V3-15

M

DRAWING NUMBER

1819

ISSUE

16

16

REVISIONS

A CO20189
M B F
11 MAY 65

B CO21688
M B F
3 OCT 66

C CO31509
R E R
22 JAN 73

D CO32595
K S W
24 FEB 76

E CO47241
G J W
MAR 80

F CO56987
S N A
1 OCT 85

G CO74634
K D R
5 MAY 93

REPLACES

RELEASE NO.

CHECK P.F.K. 20 MAY 65

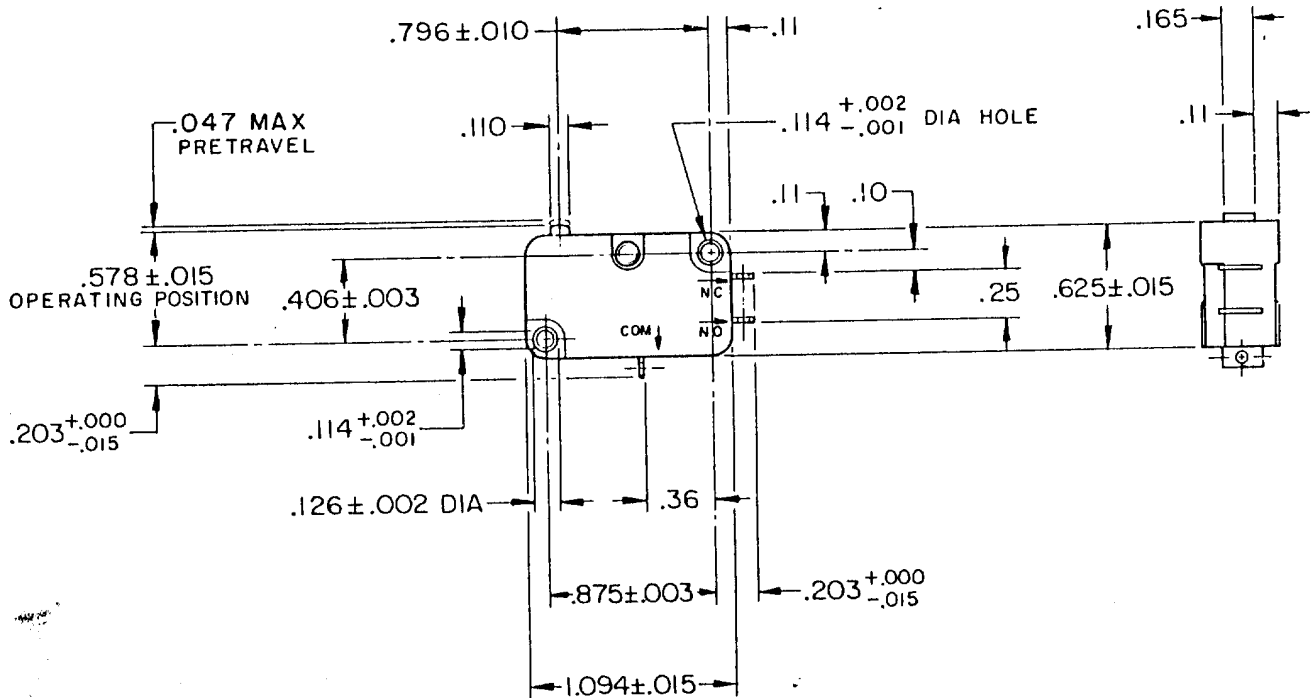
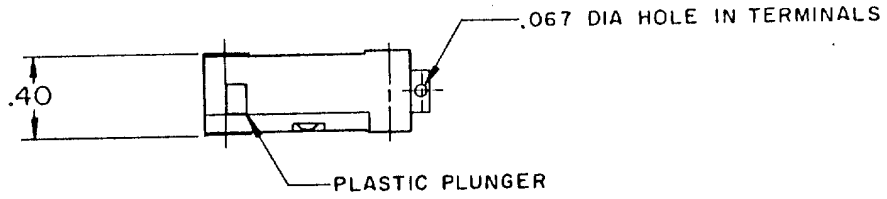
CHECK K.S.D. 18 MAY 65

CHECK K.S.D. 14 MAY 65

CHECK G.C.H. 14 MAY 65

CHECK M.B.F. 11 MAY 65

DRAWN C-50378



NOTE -
 1 - TERMINALS ARE PLATED FOR SOLDERING
 2 - PLUNGER MATERIAL WILL WITHSTAND TEMPERATURE OF 300°F

THIS DRAWING COVERS A PROPRIETARY ITEM AND IS THE PROPERTY OF MICRO SWITCH, A DIVISION OF HONEYWELL. THIS DRAWING IS NOT TO BE COPIED OR USED WITHOUT THE APPROVAL OF MICRO SWITCH.

CHARACTERISTICS	ELECTRICAL DATA	SCALE FULL
OPERATING FORCE — — — — 6 - 14 OZ	CONTACT ARRANGEMENT S P D T	DO NOT SCALE PRINT
RELEASE FORCE — — — — 4 OZ MIN	L83 15.1A 1/2HP 125 OR 250 VAC 1/2A 125 VDC, 1/4A 250 VDC 5A 125 VAC "L" 	UNLESS OTHERWISE NOTED
RELEASE TRAVEL — — — — .007 MIN		DIMENSIONS ARE IN INCHES
DIFFERENTIAL TRAVEL — — — — .006 - .016		TOLERANCES ARE:
OVERTRAVEL — — — — .040 MIN		ONE PLACE (.0) ±.030
FREE POSITION — — — — .625 MAX		TWO PLACE (.00) ±.015
		THREE PLACE (.000) ±.005
		ANGLES ±
		WEIGHT .015 LB