



MICRO SWITCH

FREEPORT, ILLINOIS, U.S.A.
A DIVISION OF HONEYWELL

FED. MFG. CODE 91929

SWITCH - BASIC

CATALOG LISTING

BZ-2RL-A2

BZ-2RL-A2

PAGE 1 OF 1

M

DRAWING NUMBER

ISSUE 5

REPLACES

RELEASE NO.

CHECK

CHECK

REVISIONS

A	CO17410
GCH	16 AUG 63
B	CO-73287-D
KDR	8 JULY 93
C	CO-77589
KDR	29 MAR 94
D	CO93346
DLT	8 SEP 98

26 AUG 63

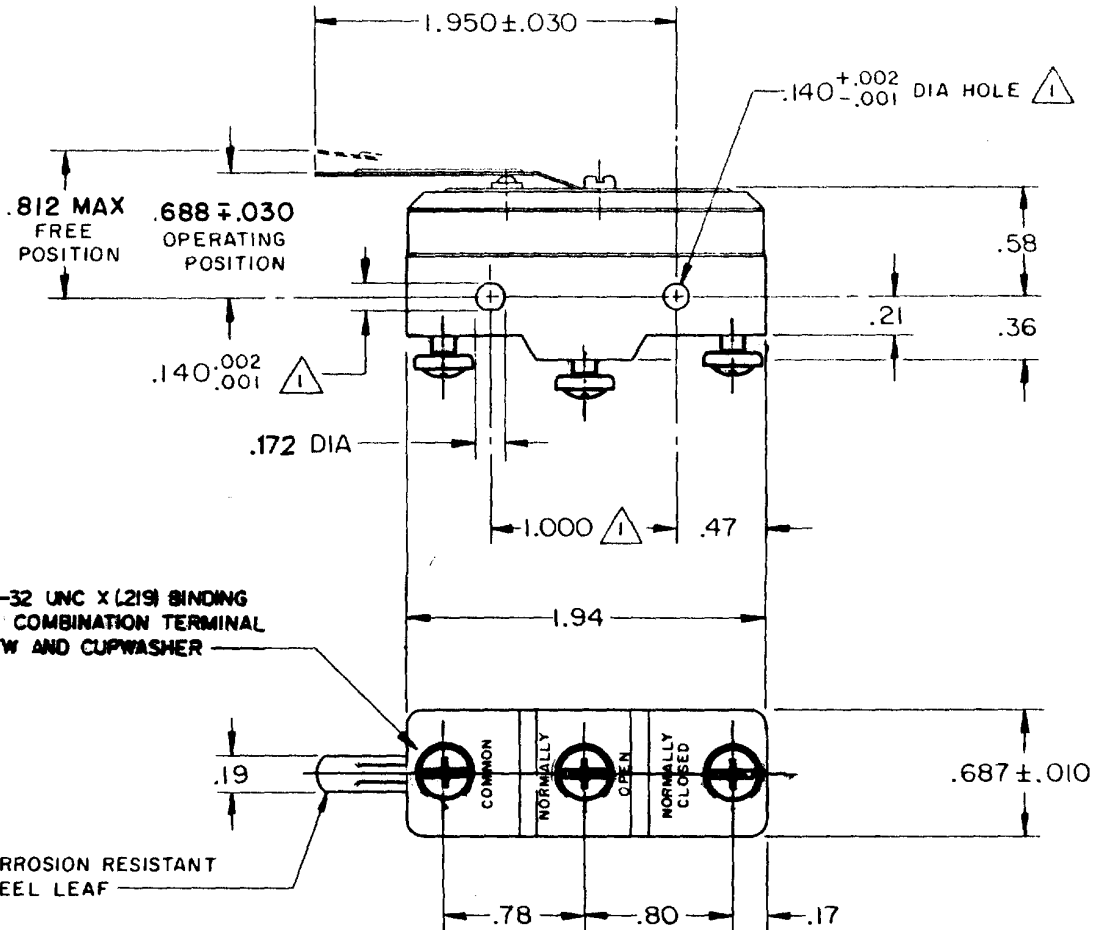
CHECK

DRAW

GCH 16 AUG 63

FORMTEK

FO-90378



NOTES

- 1 MOUNTING HOLES WILL ACCEPT PINS OR SCREWS OF .139 MAX DIA ON 1.000 ± .002 CENTERS

THIS DRAWING COVERS A PROPRIETARY ITEM AND IS THE PROPERTY OF MICRO SWITCH, A DIVISION OF MINNEAPOLIS-HONEYWELL REGULATOR CO. THIS DRAWING IS NOT TO BE COPIED OR USED WITHOUT THE APPROVAL OF MICRO SWITCH.

CHARACTERISTICS	ELECTRICAL DATA	SCALE FULL
OPERATING FORCE ----- 5 OZ MAX	CONTACT ARRANGEMENT S P D T	DO NOT SCALE PRINT
RELEASE FORCE ----- 1/2 OZ MIN	UNDERWRITERS' LAB. INC. LISTED RATING	UNLESS OTHERWISE NOTED DIMENSIONS ARE IN INCHES
DIFFERENTIAL TRAVEL ----- .050 MAX	-L96- 15 A-125, 250, OR 480 VAC	TOLERANCES ARE:
DO NOT OVERTRAVEL MORE THAN ----- .060	1/2 A-125 VDC; 1/4 A-250 VDC	ONE PLACE (.0) ± .030
	1/8 HP-125 VAC, 1/4 HP-250 VAC	TWO PLACE (.00) ± .015
	-L288- CE D S	THREE PLACE (.000) ± .005
	-L299- 16A 250V ~ T85 5E4	ANGLES ±
	-L306-	WEIGHT .063 LB