



1LS56



Actual product appearance may vary.

Enclosed Switches Series LS: Side Rotary - Lever Not Included; 1NC 1NO SPDT Snap Action, Double Break; 0.5 in - 14NPT conduit; Compact/Non-Plug-in

Features

- Mode of operation is field adjustable
- NEMA 1, 3, 4, 6, and 13
- Wide choice of heads and actuators
- Variety of operating characteristics
- Captive screws
- UL and CSA approved parts available

Potential Applications

- Machine tools
- Conveyors
- Material handling
- Metal fabrication equipment
- Lift trucks

Description

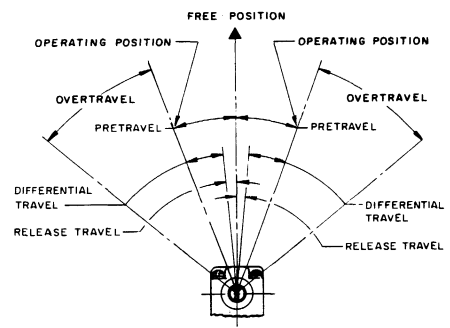
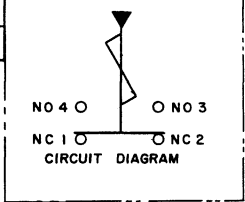
MICRO SWITCH™ compact LS and plug-in 200LS limit switches have a long record of successful performance in industrial applications. The MICRO SWITCH™ LS fits in many places too small for any other fully adjustable limit switch. The MICRO SWITCH™ 200LS switches are the original plug-in concept for reducing downtime by making changeover simple and fast.

Product Specifications	
Availability	Global
Operating Force (O.F.)	0.11 N m max. [1 in lb max.]
Release Force (R.F.)	0.02 N m min. [3 in oz min.]
Pretravel (P.T.)	5° max.
Overtravel (O.T.)	30° min.
Product Type	MICRO SWITCH™ Compact Limit Switches
Actuator	Side Rotary
Lever Style	Lever Not Included - Reference Lever Required Accessory
Circuitry	1NC 1NO SPDT Snap Action, Double-Break
Ampere Rating	10 A Ind.

Supply Voltage	120 Vac. 240 Vac. 480 Vac
Housing Material	Zinc Die-Cast
Termination Type	0.5 in - 14NPT conduit
Housing Type	Compact / Non Plug-In
Series Name	LS
Sealing	NEMA 1, 3, 4, 6, 13
Operating Temperature Range	-29 °C to 71 °C [-20 °F to 160 °F]
Comment	Low Pretravel and Operating Force
UNSPSC Code	302119
UNSPSC Commodity	302119 Switches and controls and relays
Sealed	Industrial

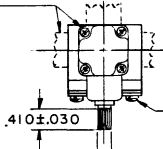
MICRO SWITCH
 FREEPORT, ILLINOIS, U.S.A.
 A DIVISION OF HONEYWELL
 FED. MFG. CODE 91929

SWITCH - ENCLOSED
1LS56

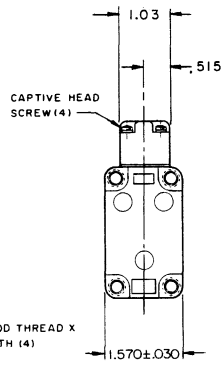
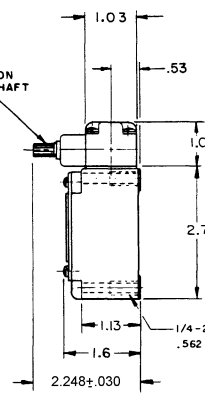
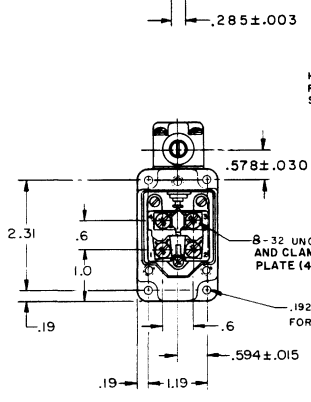


RASTER
 DRAWN
 M.B.F. 18 JUNE 65
 CHECKED
 V.S.D.
 17 APR 69
 18 JUNE 65
 19 OCT 68
 25 SEP 68
 20 FEB 69
 17 APR 69
 24 JUN 69
 1 AUG 69
 17 DEC 93
 202823
 11 APR 01

OPERATING HEAD MOUNTS
 IN ANY OF FOUR
 POSITIONS



HARDENED CORROSION
 RESISTANT STEEL SHAFT
 STRAIGHT KNURL



8-32 UNC PAN HEAD SCREW
 AND CLAMPING PRESSURE
 PLATE (4)

1/4-20 UNC MOD THREAD X
 .562 MIN DEPTH (4)

1/2-14 NPT THREAD

.850 ± .030

THIS DRAWING COVERS A PROPRIETARY ITEM AND IS THE PROPERTY OF MICRO SWITCH, A DIVISION OF MINNEAPOLIS-HONEYWELL REGULATOR CO. THIS DRAWING IS NOT TO BE COPIED OR USED WITHOUT THE APPROVAL OF MICRO SWITCH.

CHARACTERISTICS	ELECTRICAL DATA	SCALE 1/2 TO 1
OPERATING TORQUE --- 15 IN OZ MAX	CONTACT ARRANGEMENT (SEE CIRCUIT DIAGRAM)	DO NOT SCALE PRINT
RELEASE TORQUE --- 3 IN OZ MIN	10A - 25, 240 OR 480 VAC	UNLESS OTHERWISE NOTED
PRETRAVEL --- 5° MAX	1/4 HP - 120 VAC; 1/2 HP - 240 VAC	DIMENSIONS ARE IN INCHES
OVERTRAVEL --- 30° MIN	PILOT DUTY: 600 VAC MAX	TOLERANCES ARE:
RELEASE TRAVEL --- 0° 30' MIN		ONE PLACE (.01) 0.030
SWITCH-BASIC REPLACEMENT --- 2MM8		TWO PLACE (.005) 0.018
		THREE PLACE (.000) 0.008
		ANGLES 2
		WEIGHT

- NOTES
 1 - SWITCH IS ASSEMBLED FOR ACTUATION IN EITHER DIRECTION BUT MAY BE ADJUSTED TO ACTUATE THE SWITCH IN THE CLOCKWISE DIRECTION ONLY. THE COUNTERCLOCKWISE DIRECTION ONLY, OR IN BOTH DIRECTIONS
 2 - TO CONVERT SWITCH FOR ACTUATION IN EITHER THE CLOCKWISE OR COUNTERCLOCKWISE DIRECTION ONLY. REMOVE ACTUATOR HEAD AND ROTATE THE NOTCHED PLUNGER 90° TO THE RIGHT FOR CLOCKWISE ACTUATION OR 90° TO THE LEFT FOR COUNTERCLOCKWISE ACTUATION
 3 - SEAL TO BE FURNISHED BY USER