



### EX-AR30



*Actual product appearance may vary.*

**Explosion-Proof Limit Switches Series  
EX: Side Rotary; 1NC 1NO SPDT Snap  
Action; 0.5 in - 14NPT conduit**

#### Features

- NEMA 1, 7, and 9
- Compact, rugged housing
- Up to 20 amp capacity
- Ample wiring space
- Mounts from four sides
- Roller arms adjustable through 360 degrees
- Non-sparking actuators
- Captive cover screws
- UL listed, file #E14274
- CSA certified, file #LR57324
- ATEX approved, file #KEMA 04ATEX2312 X
- Grounding screw

#### Potential Applications

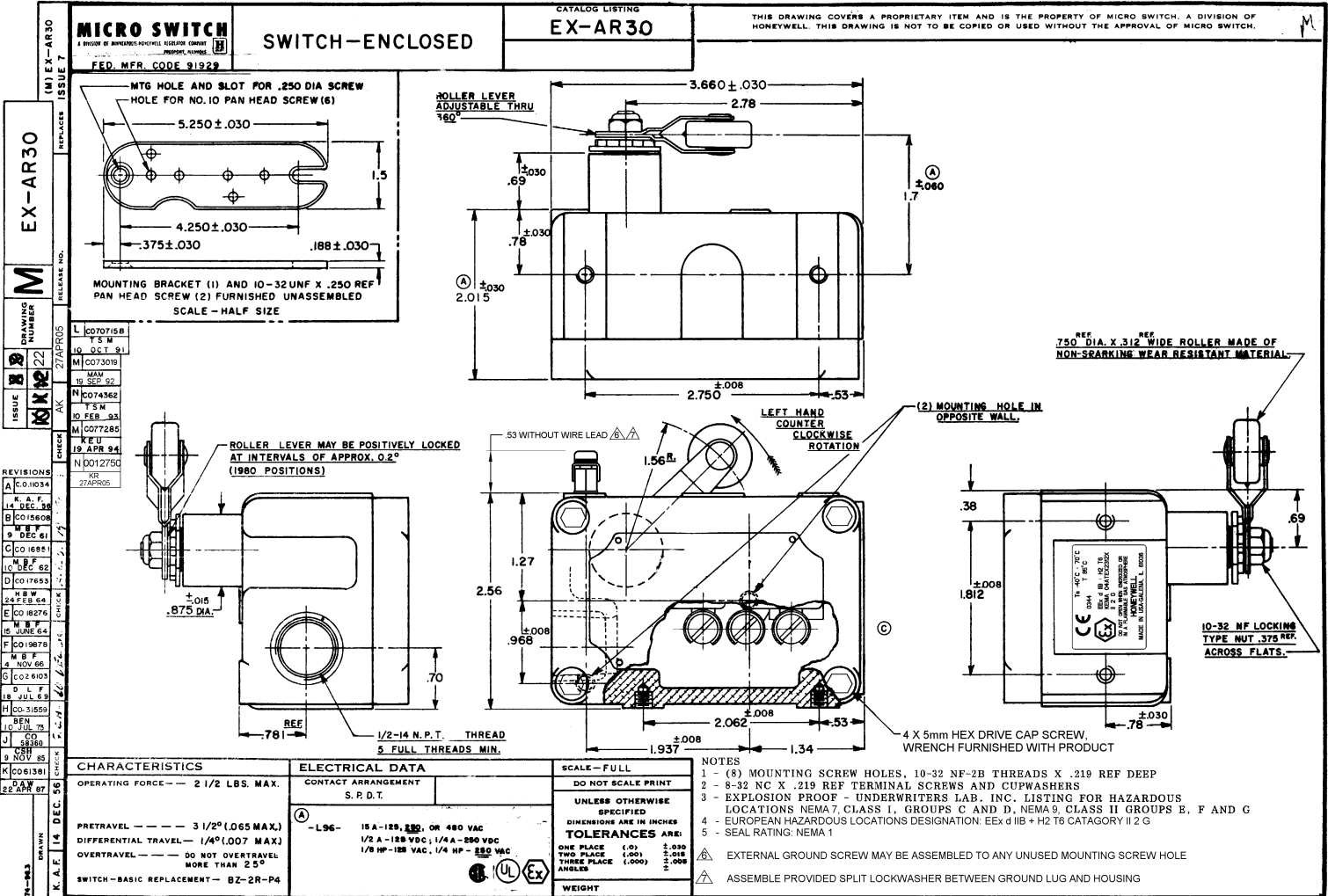
- Control valves and actuators
- Petro-chemical plants
- Conveyors
- Material handling

#### Description

MICRO SWITCH™ EX switches feature the smallest UL-listed housings available for use in hazardous locations. Flame paths within the housing cool exploding gases below the kindling temperature before they reach the explosive gases surrounding the housing.

Product Specifications	
Availability	Global
Operating Force (O.F.)	1,11 N [2.5 lb] max.
Pretravel (P.T.)	2,65 mm [0.065 in] max.
Overtravel (O.T.)	25° max.
Differential Travel (D.T.)	0,18 mm [0.007 in] (0.25°) max.
Product Type	MICRO SWITCH™ Explosion-Proof Limit Switches
Actuator	Side Rotary

Lever Style	1.5 in Fixed Length Lever with Bronze Roller (.75 in dia. x .25 in wide)
Circuitry	1NC 1NO SPDT Snap Action
Ampere Rating	15 A Ind./ 0.5 A Res./0.25 A Res.
Supply Voltage	125 Vac, 250 Vac, 480 Vac/125 Vdc/250 Vdc
Housing Material	Aluminum
Termination Type	0.5 in - 14NPT conduit
Housing Type	EX
Series Name	EX
Sealing	NEMA 1, 7 (Class I, Division 1, Groups C, D), 9 (Class II, Division 1, Groups E, F, G)
Approvals	UL listed, CSA Certified, ATEX approved
CSA File #	LR57324
UL File #	E14274
ATEX File #	KEMA 04ATEX2312 X
Operating Temperature Range	-40 °C to 71 °C [-40 °F to 160 °F]
Comment	CCW Actuation
UNSPSC Code	302119
UNSPSC Commodity	302119 Switches and controls and relays
Sealed	Explosion-proof

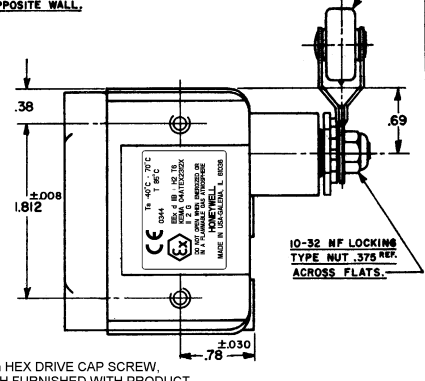
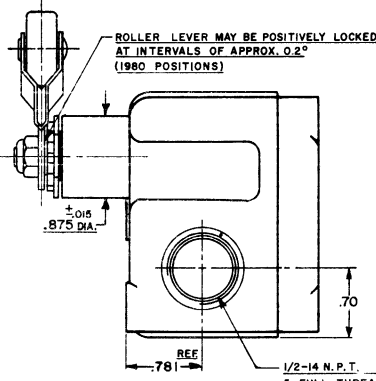
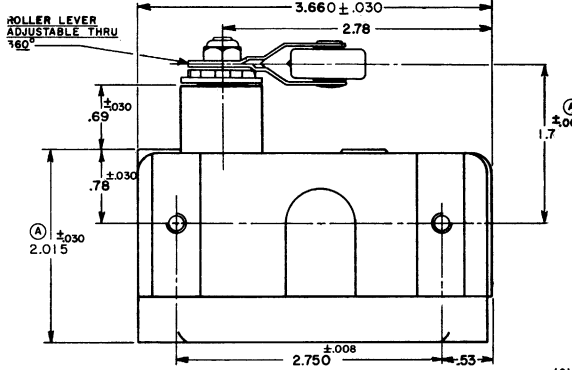
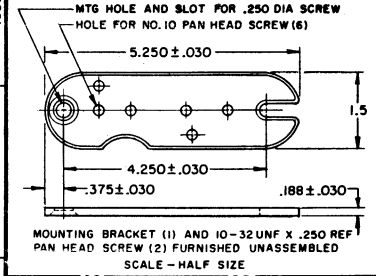


EX-AR30  
 DRAWING NUMBER  
 ISSUE 12  
 REVISIONS  
 A C.O. 10/34  
 B C.O. 12/61  
 C C.O. 1/62  
 D C.O. 1/63  
 E C.O. 1/64  
 F C.O. 1/65  
 G C.O. 1/66  
 H C.O. 1/67  
 I C.O. 1/68  
 J C.O. 1/69  
 K C.O. 1/70  
 L C.O. 1/71  
 M C.O. 1/72  
 N C.O. 1/73  
 O C.O. 1/74  
 P C.O. 1/75  
 Q C.O. 1/76  
 R C.O. 1/77  
 S C.O. 1/78  
 T C.O. 1/79  
 U C.O. 1/80  
 V C.O. 1/81  
 W C.O. 1/82  
 X C.O. 1/83  
 Y C.O. 1/84  
 Z C.O. 1/85  
 AA C.O. 1/86  
 AB C.O. 1/87  
 AC C.O. 1/88  
 AD C.O. 1/89  
 AE C.O. 1/90  
 AF C.O. 1/91  
 AG C.O. 1/92  
 AH C.O. 1/93  
 AI C.O. 1/94  
 AJ C.O. 1/95  
 AK C.O. 1/96  
 AL C.O. 1/97  
 AM C.O. 1/98  
 AN C.O. 1/99  
 AO C.O. 1/100

**MICRO SWITCH**  
 A DIVISION OF HONEYWELL INTERNATIONAL COMPANY  
 HONEYWELL BUILDING  
 MORRISTOWN, N.J. 07958  
 FED. MFR. CODE 91922

**CATALOG LISTING**  
**SWITCH-ENCLOSED**  
**EX-AR30**

THIS DRAWING COVERS A PROPRIETARY ITEM AND IS THE PROPERTY OF MICRO SWITCH, A DIVISION OF HONEYWELL. THIS DRAWING IS NOT TO BE COPIED OR USED WITHOUT THE APPROVAL OF MICRO SWITCH.



CHARACTERISTICS	
OPERATING FORCE	2 1/2 LBS. MAX.
PRETRAVEL	3 1/2" (.065 MAX.)
DIFFERENTIAL TRAVEL	1/4" (.007 MAX.)
OVERTRAVEL	DO NOT OVERTRAVEL MORE THAN 25°
SWITCH-BASIC REPLACEMENT	BZ-2R-P4

ELECTRICAL DATA	
CONTACT ARRANGEMENT S. P. D. T.	
A - L96-	15 A - 125, 180, OR 480 VAC 1/2 A - 125 VDC; 1/4 A - 250 VDC 1/8 HP - 125 VAC; 1/4 HP - 250 VAC

SCALE - FULL DO NOT SCALE PRINT	
UNLESS OTHERWISE SPECIFIED	
DIMENSIONS ARE IN INCHES	
ONE PLACE	±.030
TWO PLACE	±.010
THREE PLACE	±.008
ANGLES	±.008
WEIGHT	

NOTES  
 1 - (6) MOUNTING SCREW HOLES, 10-32 NF-2B THREADS X .219 REF DEEP  
 2 - 8-32 NC X .219 REF TERMINAL SCREWS AND CUPWASHERS  
 3 - EXPLOSION PROOF - UNDERWRITERS LAB. INC. LISTING FOR HAZARDOUS LOCATIONS NEMA 7, CLASS I, GROUPS C AND D, NEMA 9, CLASS II GROUPS E, F AND G  
 4 - EUROPEAN HAZARDOUS LOCATIONS DESIGNATION: EEx d IIB + H2 T6 CATEGORY II 2 G  
 5 - SEAL RATING: NEMA 1

△ EXTERNAL GROUND SCREW MAY BE ASSEMBLED TO ANY UNUSED MOUNTING SCREW HOLE  
 △ ASSEMBLY PROVIDED SPLIT LOCKWASHER BETWEEN GROUND LUG AND HOUSING