



BZ-2RW899-A2



Actual product appearance may vary.

BZ Series Standard Basic Switch, Single Pole Double Throw Circuitry, 15 A at 125 Vac, Straight Lever Actuator, 0,7 N [2.5 oz] Maximum Operating Force, Silver Contacts, Screw Termination, CE, CSA, DEMKO, UL

Features

- Accepted world-wide standard "Large Basic" switch
- Low operating force and differential travel
- Long mechanical life up to 20,000,000 cycles at 95% survival
- Elongated mounting hole for easier, more accurate mounting
- Current rating ranges from 15 A to 25 A
- Choice of actuation, termination and operating characteristics

Potential Applications

- Irrigation systems
- Semi-trailer trucks
- Timing devices
- Office equipment
- Test instruments
- Medical/dental equipment
- HVAC equipment
- Manually operated devices
- Valves

Description

MICRO SWITCH™ BZ/BA Series standard basic switches are used for simple or precision on/off application needs.

Product Specifications	
Switch Type	MICRO SWITCH™ Standard 25,4 mm H x 17,8 mm W x 50,8 mm L [1.0 in H x 0.7 in W x 2.0 in L]
Sealed	No
Ampere Rating	15 A
Circuitry	Single Pole Double Throw (SPDT)
Actuator	Straight Lever
Termination	Screw
Operating Temperature Range	-55 °C to 85 °C [-67 °F to 185 °F]
Voltage	125 Vac
Approvals	CE, CSA, UL
Actuator Length	63,50 mm [2.50 in]

Contact Type	Silver
Operating Force (O.F.)	0,7 N [2.5 oz] max.
Release Force (R.F.)	0,14 N [0.5 oz] min.
Overtravel (O.T.)	3,54 mm [0.125 in] min.
Differential Travel (D.T.)	0,18 mm [0.709 in] - 1,27 mm [0.007 in - 0.050 in]
Operating Position (O.P.)	17,02 mm - 22,35 mm [0.670 in - 0.880 in]
Material	Plastic
Housing Material	General Purpose Phenolic
High Temperature	204 °C [400 °F]
CE mark	61058-1
UL File #	E12252
CSA File #	LR41370
Agency Approvals and Standards	1054
Mounting Screw Size	3,53 mm [0.139 in]
Mounting Centers	25,4 mm [1 in]
Maximum Tightening Torque	0,33 N m [3.0 in lb]
Weight	34,5 g [0.076 lb]
Package Height	24,1 mm [0.95 in]
Package Width	17,5 mm [0.69 in]
Package Length	49,3 mm [1.94 in]
Recommended For	Adjustable operating point 17 mm - 22 mm [0.67 in - 0.88 in]
Availability	Global
UNSPSC Code	30211905
UNSPSC Commodity	30211905 Snap switches
Series Name	BZ/BA/WA/YZ



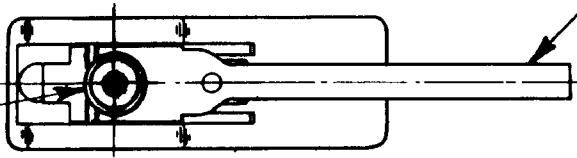
MICRO SWITCH
 FREEPORT ILLINOIS
 A DIVISION OF HONEYWELL
 FED. MFG. CODE 91929

SWITCH - BASIC

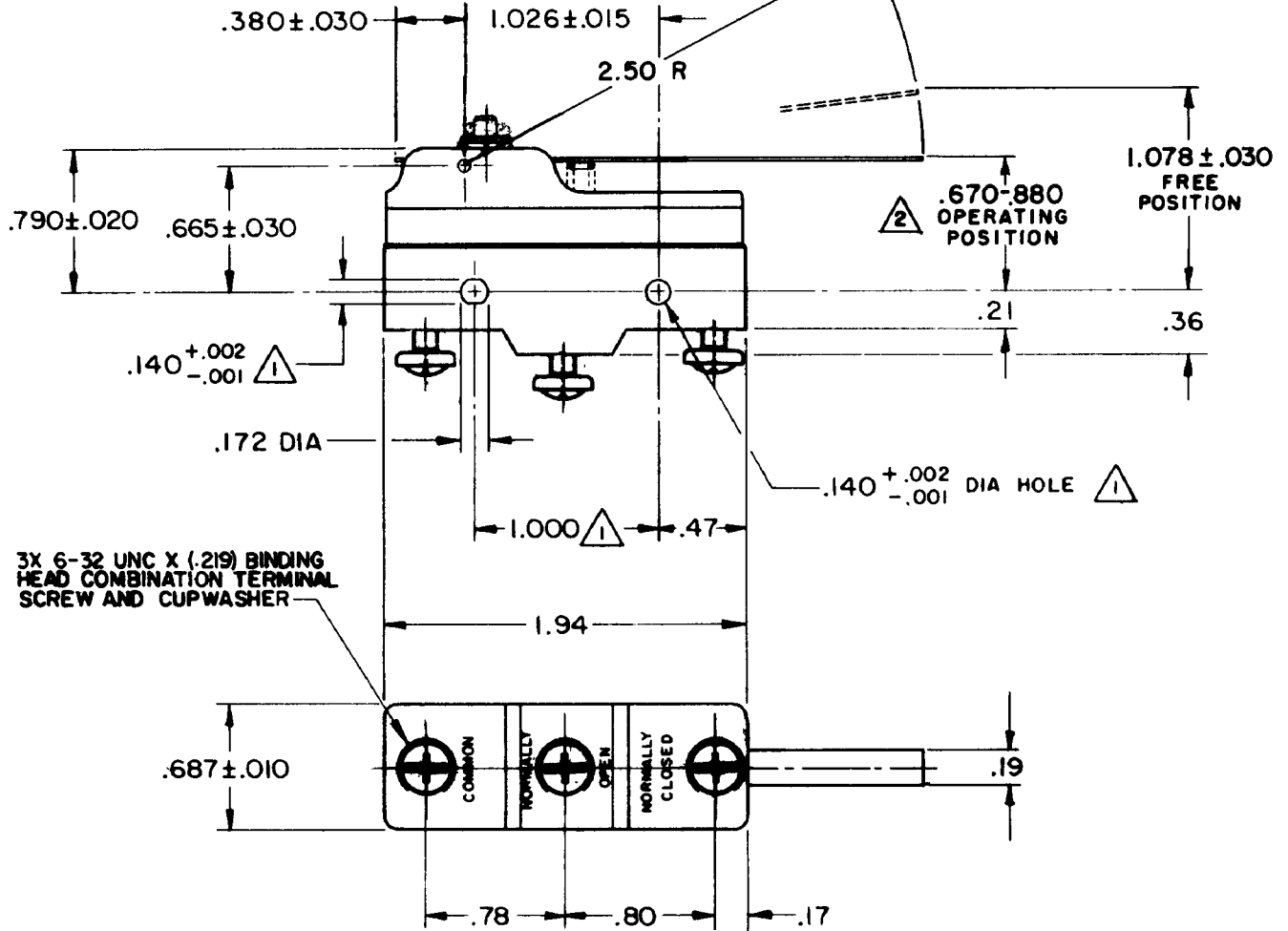
CATALOG LISTING

BZ-2RW899-A2

MOLDED NUT WITH SELF
 LOCKING 6-32 UNC THREAD
 X .250 LONG ADJUSTING
 SCREW WITH .062 HEX
 SOCKET



CORROSION RESISTANT
 STEEL LEVER



3X 6-32 UNC X (.219) BINDING
 HEAD COMBINATION TERMINAL
 SCREW AND CUPWASHER

- NOTES**
- ① MOUNTING HOLES WILL ACCEPT PINS OR SCREWS OF .139 MAX DIA ON 1.000 ± .002 CENTERS
 - ② ADJUSTING SCREW PERMITS ADJUSTMENT OF OPERATING POSITION THROUGH RANGE INDICATED
 - ③ DO NOT OVERTRAVEL MORE THAN .345 FROM ANY OPERATING POSITION TO PROVIDE OPTIMUM MECHANICAL LIFE

THIS DRAWING COVERS A PROPRIETARY ITEM AND IS THE PROPERTY OF MICRO SWITCH, A DIVISION OF MINNEAPOLIS-HONEYWELL REGULATOR CO. THIS DRAWING IS NOT TO BE COPIED OR USED WITHOUT THE APPROVAL OF MICRO SWITCH.

CHARACTERISTICS

OPERATING FORCE ----- 2 1/2 OZ MAX
 RELEASE FORCE ----- 1/2 OZ MIN
 DIFFERENTIAL TRAVEL ----- .007 - .050
 OVERTRAVEL - ③ ----- .125 MIN FROM
 .670 OPERATING POSITION

ELECTRICAL DATA

CONTACT ARRANGEMENT
 S P D T

UNDERWRITERS' LAB. INC. LISTED RATING

-L96- 16A-125, 250, OR 480 VAC
 1/2 A-125 VDC; 1/4 A-250 VDC
 1/8 HP-125 VAC; 1/4 HP-250 VAC

-L288- CE D
 -L299-
 -L306- T85 5E4

SCALE FULL

DO NOT SCALE PRINT

UNLESS OTHERWISE SPECIFIED
 DIMENSIONS ARE IN INCHES

TOLERANCES ARE:

ONE PLACE (.0) ± .030
 TWO PLACE (.00) ± .015
 THREE PLACE (.000) ± .005
 ANGLES ±

WEIGHT

DRAWING NUMBER **BZ-2RW899-A2**
 PAGE 1 OF 1
 ISSUE **M**
 10
 REVISIONS
 A CO 16736 8 CH 14 JUNE 62
 B CO20813 M B F 14 DEC 65
 C CO 33772 8 CH 18 SEPT 74
 D CO 73287-E 8 CH 5 OCT 93
 E CO-77589 MAM 29 MAR 94
 F CO-82020-8 DLT 12 MAR 96
 G CO93346 DLT 14 SEP 98
 H CO 95815-A J J A 18 JAN 00
 FORMTEK FO-80376
 DRAWN GCH 14 JUNE 62
 CHECK PAV 15 JUNE 62
 RELEASE NO. 15 JUNE 62
 REPLACES