

Honeywell

FED.MFG.CODE 91929

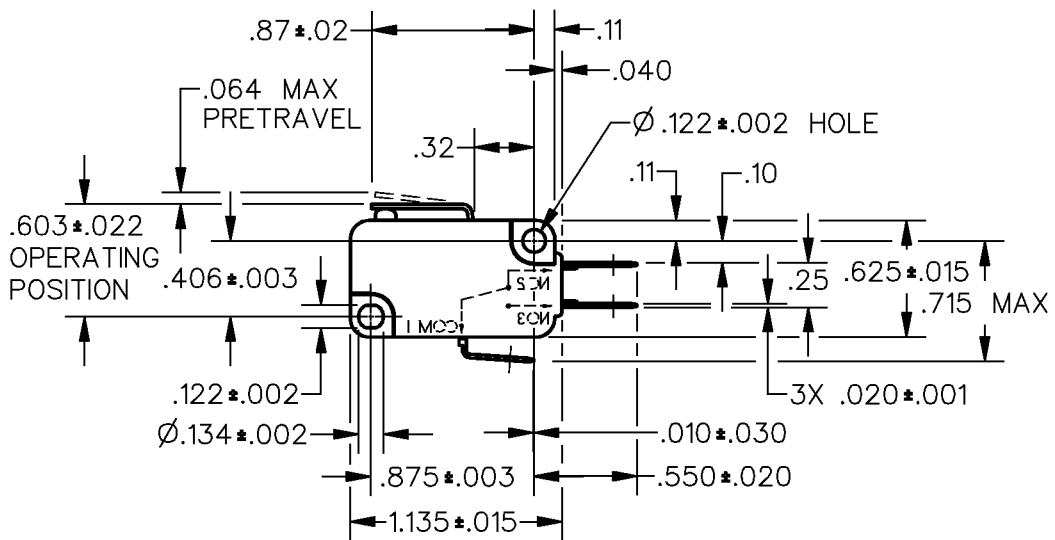
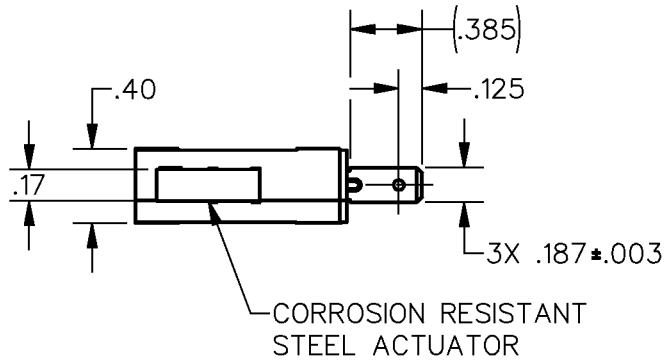
SWITCH - BASIC

CATALOG LISTING

V7-6C18D8-002

CW-C6031

CATALOG LISTING
V7-6C18D8-002
 PAGE 1 OF 1
M
 ISSUE 3
 RELEASE NO. PR-23334
 REPLACES



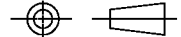
REVISIONS	
A	REL PR23334
3	DCS FEB 98
B	0041196
	JA 01JUL08

CHECK 01JUL08
 CHECK ASD
 CHECK 3 FEB 98
 CHECK DCS
 DRAWN 2 FEB 98
RASTER

ANSI Y14.5M-1982 APPLIES

THIS DRAWING COVERS A PROPRIETARY ITEM AND IS THE PROPERTY OF HONEYWELL. THIS DRAWING IS NOT TO BE COPIED OR USED WITHOUT THE APPROVAL OF HONEYWELL.

THIRD ANGLE PROJECTION



CHARACTERISTICS	ELECTRICAL DATA	SCALE FULL	DO NOT SCALE PRINT
OPERATING FORCE --- 413 GRAMS MAX	CONTACT ARRANGEMENT S P D T	UNLESS OTHERWISE SPECIFIED TOLERANCES ARE	
DIFFERENTIAL TRAVEL --- .014 MAX	L215	ONE PLACE (.0) ± .030	
OVERTRAVEL --- .037 MIN	15.1A 1/2HP 125, 250 OR 277 VAC	TWO PLACE (.00) ± .015	
RELEASE TRAVEL --- .009 MIN	1/2A 125 VDC	THREE PLACE (.000) ± .005	
	1/4A 250 VDC; 5A 125 VAC "L"	ANGLES ±	
		WEIGHT	