



BZE6-2RN18



Actual product appearance may vary.

**Enclosed Switches Series E6: Wobble -
Coil Spring Actuator; 1NC 1NO SPDT
Snap Action; 0.5 in - 14NPT conduit**

Features

- Side or flange mount
- Momentary or maintained contact
- Grounding screw
- High capacity (22 amp) available
- Temperature range -32 °C to +71 °C [-25 °F to +160 °F]
- Zinc Die-Cast housing NEMA 1
- UL Recognized, file #E12252
- CSA Certified, file #LR41372
- NEMA 1, 3, 4 /IP66
- Pre-leaded or connector termination options

Potential Applications

- Packaging equipment
- Special machinery
- Textile machinery
- Conveyors
- Construction machinery and equipment
- Printing trades machinery
- Overhead cranes and hoists

Description

MICRO SWITCH™ E6 (side mount) and V6 (flange mount) switches are offered with or without actuator seal boots. Both have a combination insulator/seal cemented inside the bottom enclosure. Lead washers are used to seal the mounting holes on side mount switches. All side mount switches are installed with #6 screws, except the BZE6-2RN7 (#8 screws). Removal of the bottom enclosure exposes the terminals for easy wiring.

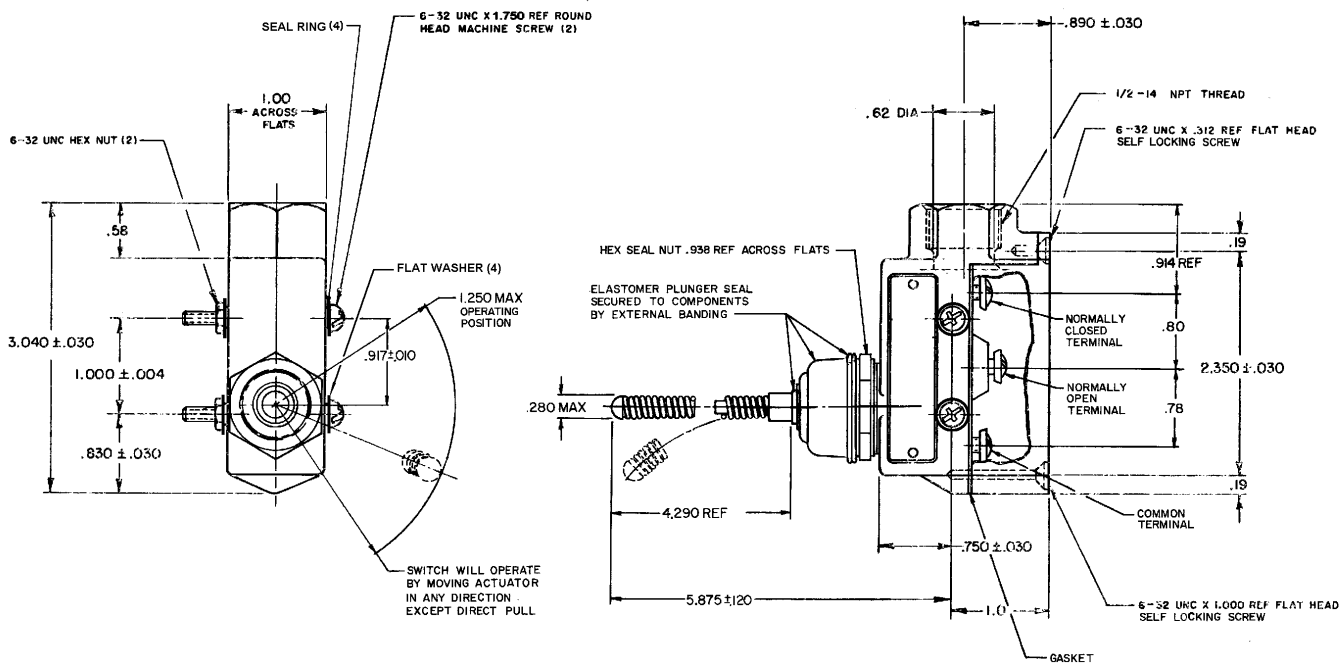
Product Specifications	
Availability	Global
Operating Force (O.F.)	1,95 N max. [7 oz max.]
Pretravel (P.T.)	15° max.
Product Type	Enclosed Switches
Actuator	Wobble - Coil Spring
Circuitry	1NC 1NO SPDT Snap Action
Ampere Rating	15 A Ind./2 A Ind./0.5 A Res./0.25 A Res.
Supply Voltage	125 Vac, 250 Vac, 480 Vac/600 Vac/125 Vdc/250 Vdc
Housing Material	Zinc Die-Cast
Termination Type	0.5 in - 14NPT conduit
Housing Type	Split Housing, Side Mount
Series Name	E6/V6
Sealing	NEMA 1, 3, 4 /IP66
Approvals	UL recognized, CSA certified
CSA File #	LR41372
UL File #	E12252
Operating Temperature Range	-32 °C to 71 °C [-25 °F to 160 °F]
Comment	With seal boot on plunger; Coil spring 5.875" long from center of mounting holes to end of spring
UNSPSC Code	302119
UNSPSC Commodity	302119 Switches and controls and relays
Sealed	Industrial

MICRO SWITCH
A DIVISION OF MINNEAPOLIS HONEYWELL REGULATOR COMPANY
MINNEAPOLIS, MINNESOTA

SWITCH - ENCLOSED

CATALOG LISTING
BZE6-2RN18

BZE6-2RN18
 DRAWING NUMBER
 ISSUE 114
 CHECK PSR 28AUG07
 CHECK DVM 23AUG06
 CHECK VJ 21AUG71
 CHECK 15
 RASTER
 G.E.M. 13 AUG 71



SWITCH WILL OPERATE BY MOVING ACTUATOR IN ANY DIRECTION EXCEPT DIRECT PULL

NOTE --
 1 - 6-32 UNC X .219 REF TERMINAL SCREW AND CUPWASHER (3)
 2 - SEAL RATING: NEMA 1,3,4
 IP66

THIS DRAWING COVERS A PROPRIETARY ITEM AND IS THE PROPERTY OF MICRO SWITCH, A DIVISION OF MINNEAPOLIS-HONEYWELL REGULATOR CO. THE DRAWING IS NOT TO BE COPIED OR USED WITHOUT THE APPROVAL OF MICRO SWITCH.	
CHARACTERISTICS	ELECTRICAL DATA
OPERATING FORCE ----- 7 OZ MAX	CONTACT ARRANGEMENT S P D T
OPERATING POSITION ----- 15° MAX	15A 125, 250 OR 480 VAC; 2A 600 VAC
SWITCH BASIC REPLACEMENT ----- BZ-2R-A2	-L74- 1/8HP 125 VAC, 1/4HP 250 VAC 1/2A 125 VDC, 1/4A 250 VDC
	CE 1.5A, 240 Vac
	SCALE FULL DO NOT SCALE PRINT UNLESS OTHERWISE SPECIFIED DIMENSIONS ARE IN INCHES TOLERANCES ARE: ONE PLACE (.0) 0.030 TWO PLACE (.00) 0.018 THREE PLACE (.000) 0.008 ANGLES 0
	WEIGHT