



BZ-2RQ-A2



Actual product appearance may vary.

BZ Series Standard Basic Switch, Single Pole Double Throw Circuitry, 15 A at 125 Vac, Overtravel Plunger Actuator, 2,5 N - 3.61 N [9 oz - 13 oz] Operating Force, Silver Contacts, Screw Termination, CE, CSA, DEMKO,

Features

- Accepted world-wide standard "Large Basic" switch
- Low operating force and differential travel
- Long mechanical life up to 20,000,000 cycles at 95% survival
- Elongated mounting hole for easier, more accurate mounting
- Current rating ranges from 15 A to 25 A
- Choice of actuation, termination and operating characteristics

Potential Applications

- Irrigation systems
- Semi-trailer trucks
- Timing devices
- Office equipment
- Test instruments
- Medical/dental equipment
- HVAC equipment
- Manually operated devices
- Valves

Description

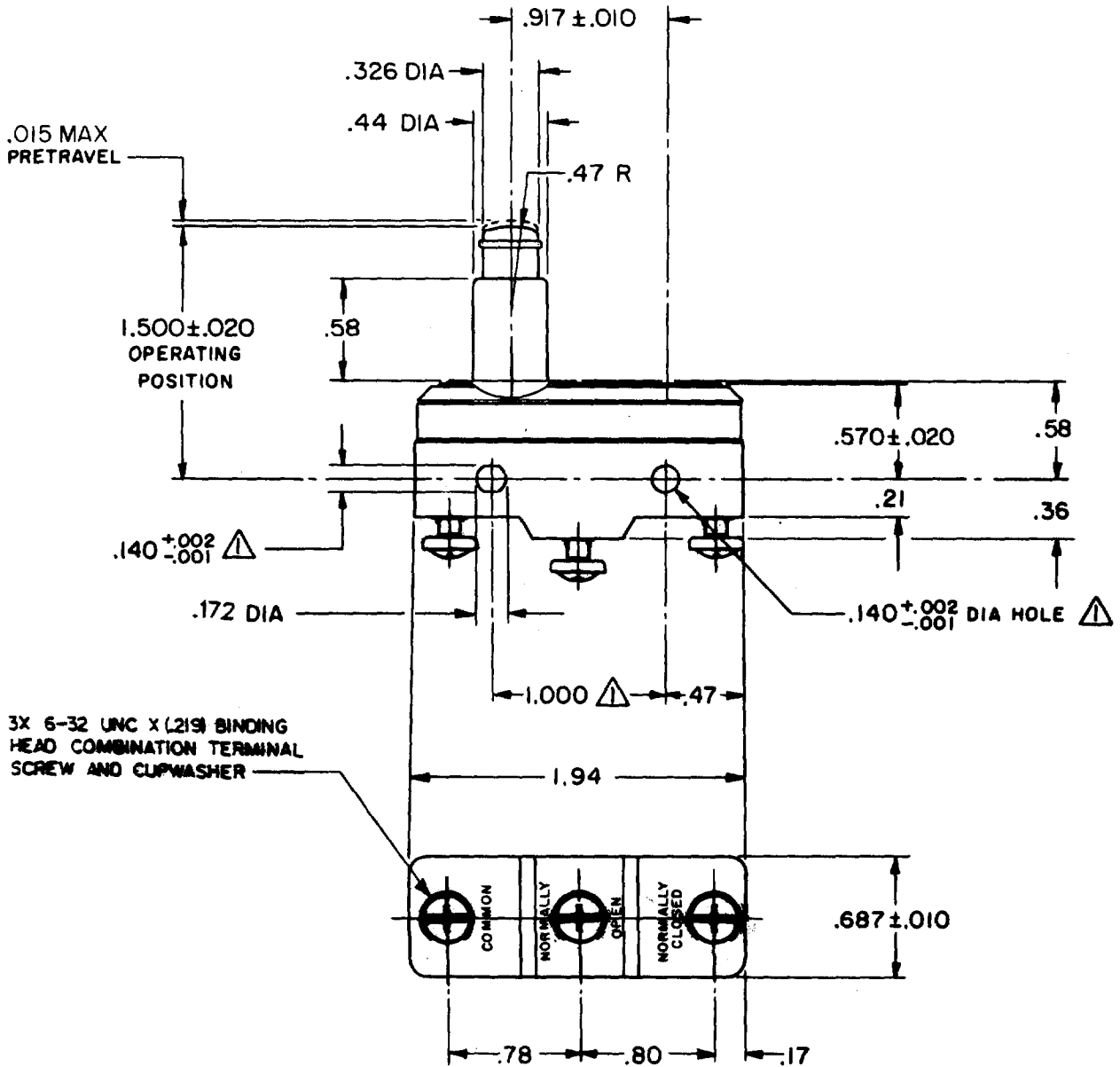
MICRO SWITCH™ BZ/BA Series standard basic switches are used for simple or precision on/off application needs.

Product Specifications

Switch Type	MICRO SWITCH™ Standard 25,4 mm H x 17,8 mm W x 50,8 mm L [1.0 in H x 0.7 in W x 2.0 in L]
Sealed	No
Ampere Rating	15 A
Circuitry	Single Pole Double Throw (SPDT)
Actuator	Overtravel Plunger
Termination	Screw
Operating Temperature Range	-55 °C to 85 °C [-67 °F to 185 °F]
Voltage	125 Vac

Approvals	CE,CSA,UL
Contact Type	Silver
Operating Force (O.F.)	2,5 N - 3,61 N [9.0 oz - 13.0 oz]
Release Force (R.F.)	1,11 N [4.0 oz] min.
Pretravel (P.T.)	0,38 mm [0.015 in] max.
Overtravel (O.T.)	5,56 mm [0.219 in] min.
Differential Travel (D.T.)	0,01 mm - 0,05 mm [0.0004 in - 0.0020 in]
Operating Position (O.P.)	38,10 mm ± 0,51 mm [1.500 in ± 0.020 in]
Material	Plastic
Housing Material	General Purpose Phenolic
High Temperature	204 °C [400 °F]
CE mark	61058-1
UL File #	E12252
CSA File #	LR41370
Agency Approvals and Standards	1054
Mounting Screw Size	3,53 mm [0.139 in]
Mounting Centers	25,4 mm [1 in]
Maximum Tightening Torque	0,33 N m [3.0 in lb]
Weight	39 g [0.086 lb]
Package Height	24,1 mm [0.95 in]
Package Width	17,5 mm [0.69 in]
Package Length	49,3 mm [1.94 in]
Recommended For	Added overtravel, for manual in-line operation and for slow 30 ° max. rise cams
Availability	Global
UNSPSC Code	30211905
UNSPSC Commodity	30211905 Snap switches
Series Name	BZ/BA/WA/YZ

BZ-2RQ-A2
 PAGE 1 OF 1
M
 DRAWING NUMBER
6
 ISSUE
 REVISIONS
 A CO17410
 O M W
 22 FEB 65
 B CO-
 73287-D
 K D R
 8 JULY 93
 C CO-
 77589
 K D R
 29 MAR 94
 D CO93346
 D L T
 10 SEP 98
 E 0015139
 T S G
 23 AUG 05
 CHECK
 L S D
 I A N N A Y G
 65
 FEB 22
 DRAWN
 O M W
 FO-50376
 FORMTEK



NOTE
 ▲ - MOUNTING HOLES WILL ACCEPT PINS OR SCREWS OF .139 MAX DIA ON 1.000 ± .002 CENTERS

THIS DRAWING COVERS A PROPRIETARY ITEM AND IS THE PROPERTY OF MICRO SWITCH, A DIVISION OF HONEYWELL. THIS DRAWING IS NOT TO BE COPIED OR USED WITHOUT THE APPROVAL OF MICRO SWITCH.

CHARACTERISTICS	ELECTRICAL DATA	SCALE FULL
OPERATING FORCE - - - - - 9-13 OZ	CONTACT ARRANGEMENT S P D T	DO NOT SCALE PRINT
RELEASE FORCE - - - - - 4 OZ MIN	- L96- 15 A-125, 250, OR 480 VAC	UNLESS OTHERWISE NOTED
DIFFERENTIAL TRAVEL - - - .0004-.0020	1/2 A-125 VDC; 1/4 A-250 VDC	DIMENSIONS ARE IN INCHES
OVERTRAVEL - - - - - .219 MIN	1/8 HP-125 VAC; 1/4 HP-250 VAC	TOLERANCES ARE:
	-L288- CE EN05	ONE PLACE (.0) ±.030
	-L306- EC	TWO PLACE (.00) ±.015
	-L315- T85 5E4	THREE PLACE (.000) ±.005
		ANGLES ±
		WEIGHT .086 LB