



GLCA01A4J



Global Limit Switches Series GLS: Side Rotary With Rod - Adjustable, 1NC 1NO SPDT Snap Action, 0.5 in - 14NPT conduit

Actual product appearance may vary.

Features

- Designed to IEC standard for world-wide applications
- UL, CSA, and CE
- International conduit sizes
- Direct PLC interface compatible (two circuit)
- Modular construction reduces maintenance parts costs
- Designed for ease of installation
- Variety of basic switch versions
- Wide choice of actuators

Potential Applications

- Machine tools: metal fabrication equipment, presses, transfer lines and special machinery
- Material handling equipment: conveyors, elevators, cranes, and hoists
- Packaging machinery and process equipment
- Textile machinery
- Construction machinery and equipment, vehicles and lift trucks

Description

The GLS series limit switches are specifically designed for world-wide applications and are supported by Honeywell global resources for sale and after sale service.

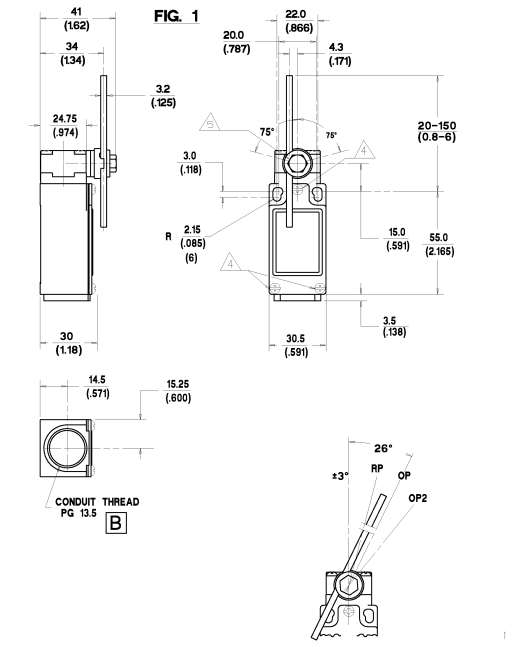
Product Specifications	
Availability	Global
Operating Force (O.F.)	0,120 N m [1.10 in lb]
Pretravel (P.T.)	26°
Overtravel (O.T.)	49°
Differential Travel (D.T.)	11.5°
Product Type	EN50041/47 Global Limit Switch
Actuator	Side Rotary
Lever Style	Rod - Adjustable
Circuitry	1NC 1NO SPDT Snap Action
Ampere Rating	10 A (Thermal)
Supply Voltage	300 Vac and 250 Vdc max.

Housing Material	Zinc Die-Cast
Termination Type	0.5 in - 14NPT conduit
Housing Type	EN 50047
Series Name	GLS MIN-DIN
Shock	50 g per IEC 68-2-27c (w/o Actuator)
Vibration	10 g per IEC 68-2-6 (w/o Actuator)
Sealing	NEMA 1, 4, 12, 13 IP66
Approvals	UL, CSA, CE
CSA File #	LR94369-3
UL File #	E37138 & E157416
Mechanical Life	10 million
Operating Temperature Range	-40 °C to 85 °C [-40 °F to 185 °F]
Agency Approvals and Standards	IEC 947-5-1, EN60947-5-1, UL508
UNSPSC Code	302119
UNSPSC Commodity	302119 Switches and controls and relays
Sealed	Industrial
Operating Position (O.P.)	26°

MTG-GL-194
 REVISIONS
 NUMBER
 RELEASE NUMBER
 A01B-194

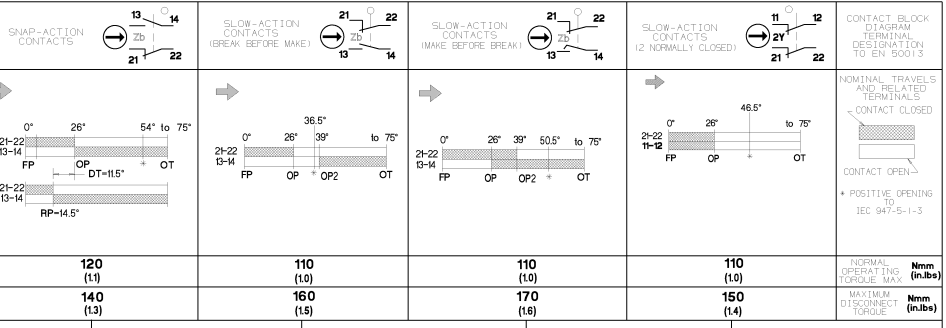
REVISIONS
 01 3/96
 02 8/96
 03 12/96
 04 9/95
 05 11/95
 06 02/00/95
 07 11/97
 08 02/00/95
 09 11/97
 10 02/00/95
 11 11/97
 12 02/99/95
 13 11/97

Honeywell **LIMIT SWITCH**
GLS
 CHART NO. **MTG-GL-194**

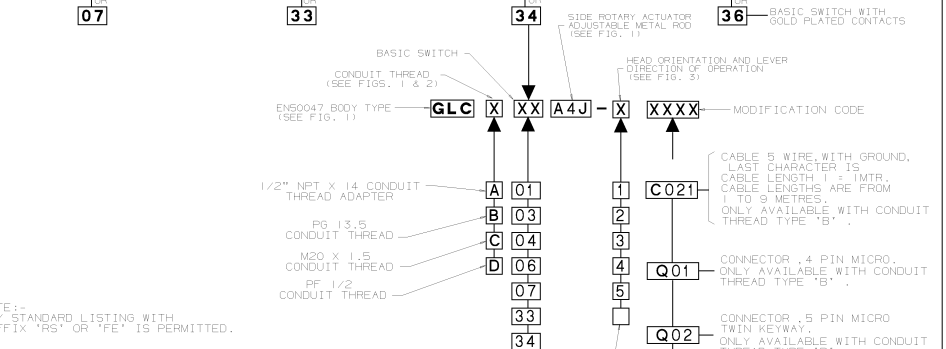


NOTES:-
 1. ZINC DIECAST BODY AND HEAD WITH STEEL COVER. BODY AND COVER FINISHED IN MICRO SWITCH BLUE EPOXY PAINT. HEAD FINISHED IN BLACK EPOXY PAINT.
 2. MINIMUM OPERATING VELOCITY (V_{min}): 0.25 rad/s
 MAXIMUM OPERATING VELOCITY (V_{max}): 25 rad/s
 MAXIMUM OPERATING FREQUENCY (f_{max}): 250 OPS/MIN
 3. FREE POSITION (FP), OPERATING POINT (OP), OVERTRAVEL (OT) AND PRETRAVEL (PT) ALL TO EN50047.
 △ MAXIMUM TIGHTENING TORQUE FOR FIXING SCREW: 0.5N_m (4.4in.LB)
 △ MAXIMUM TIGHTENING TORQUE FOR FIXING SCREW: 0.8N_m (7in.LB)
 NO CHANGES CAN BE MADE TO THIS DRAWING WITHOUT JOINT NEWHOUSE/FREEMPORT APPROVAL

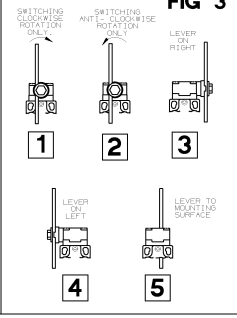
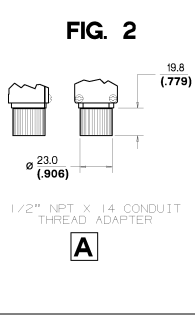
STANDARD SILVER CONTACTS		GOLD PLATED CONTACTS		ENVIRONMENTAL		APPROVALS
AC	DC	AC	DC	TEMP RANGE	STORAGE	 IEC 947-5-1 EN50047
3A30 AC15	0.500 DC13	3A30 AC15	0.500 DC13	-25°C TO 85°C	+15°F TO 185°F	
120 V 6	125 0.55	120 V 6	125 0.55	-40°F TO 85°F	+40°F TO 185°F	
240 V 5	250 0.127	240 V 5	250 0.127	SHOCK: 50G PER IEC 68-2-27	VIBRATION: 10G PER IEC 68-2-6	



120 (11)	110 (10)	110 (10)	110 (10)
140 (13)	160 (15)	170 (16)	150 (14)



NOTE:- ANY STANDARD LISTING WITH SUFFIX 'RS' OR 'FE' IS PERMITTED.



NOTE: FOR CONNECTION DIAGRAMS AND ADDITIONAL ELECTRICAL, ENVIRONMENTAL & DIMENSIONAL INFORMATION SEE DRAWING GL-45212.