

MICRO SWITCH

A DIVISION OF MINNEAPOLIS-HONEYWELL REGULATOR COMPANY
MINNEAPOLIS, MINNESOTA
FED. MFR. CODE 91929

SWITCH - BASIC

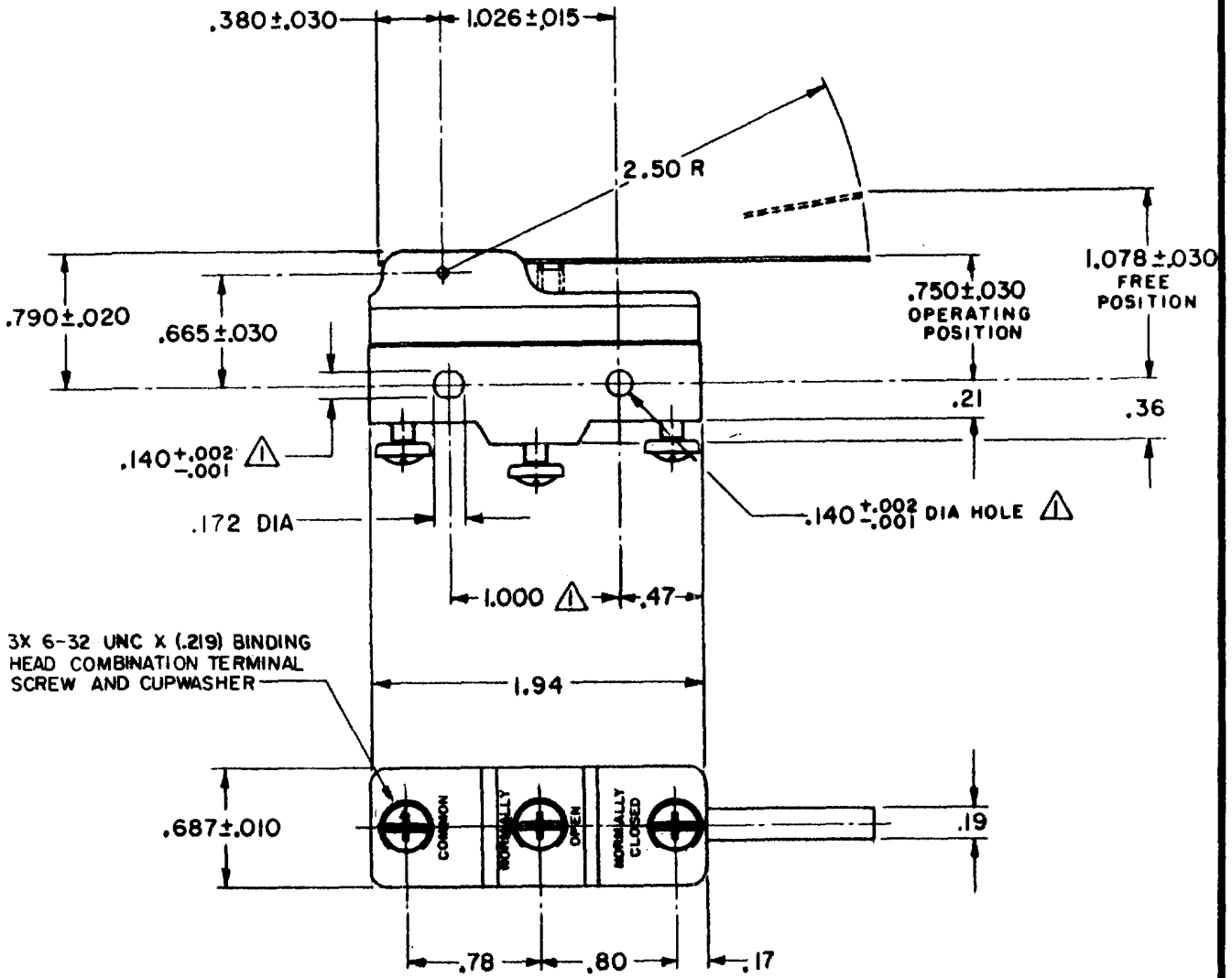
CATALOG LISTING

BZ-2RW80-A2

ANZ5000

M BZ-2RW80-A2
PAGE 1 OF 1
DRAWING NUMBER
8
ISSUE

REVISIONS		CHECK
A	CO 16736 GCH 12 MAR 82	23 AUG 05
B	CO 31001 DAW 16 AUG 72	RJ
C	CO-73287-B DHD 19 MAY 93	23 MAR '82
D	CO-77589 MAM 29 MAR 94	23 AUG 05
E	CO93346 DLT 2 SEP 98	
F	0015139 TSG 23 AUG 05	



3X 6-32 UNC X (.219) BINDING HEAD COMBINATION TERMINAL SCREW AND CUPWASHER

NOTE
▲ MOUNTING HOLES WILL ACCEPT PINS OR SCREWS OF .139 MAX DIA ON 1.000 ± .002 CENTERS

THIS DRAWING COVERS A PROPRIETARY ITEM AND IS THE PROPERTY OF MICRO SWITCH, A DIVISION OF MINNEAPOLIS-HONEYWELL REGULATOR CO. THIS DRAWING IS NOT TO BE COPIED OR USED WITHOUT THE APPROVAL OF MICRO SWITCH.

CHARACTERISTICS	ELECTRICAL DATA	SCALE FULL	
OPERATING FORCE ----- 2 1/2 OZ MAX	CONTACT ARRANGEMENT S P D T	DO NOT SCALE PRINT	
RELEASE FORCE ----- 1/2 OZ MIN	15A-125, 250 OR 480 VAC; 2A-600 VAC -L74- 1/8HP-125 VAC; 1/4HP-250 VAC 1/2A-125 VDC; 1/4A-250 VDC -L288- -L306- -L315-	UNLESS OTHERWISE SPECIFIED DIMENSIONS ARE IN INCHES TOLERANCES ARE:	
DIFFERENTIAL TRAVEL ----- .007-.050		CE EN 05 EC 16A 250V ~ T85 5E4	ONE PLACE (.0) ± .030 TWO PLACE (.00) ± .015 THREE PLACE (.000) ± .005 ANGLES ±
OVERTRAVEL ----- .219 MIN			WEIGHT .073 LB

FORMTEK
FO-80378
DRAWN
GCH 12 MAR 82
CHECK
DAW 23 MAR '82