



### V7-1S17D8-022



*Actual product appearance may vary.*

**V7 Series Miniature Basic Switch, Single Pole Double Throw Circuitry, 100 mA at 125 Vac, Straight Lever Actuator, 0,83 N [3.0 oz] Maximum Operating Force, Gold Contacts, Quick Connect Termination**

#### V7 Series Features

- World-wide package size acceptance
- Current rating ranges from 0.1 A to 25 A
- Wiping contact action
- Temperature range to 177 °C [350 °F]
- Long mechanical life
- Elongated mounting holes for easier, more accurate mounting
- UL/CSA recognized, ENEC (European) approval available
- Choice of actuation, termination and operating characteristics

#### Potential Applications

- Appliances
- Vending machines
- Timing devices
- Office equipment
- Computer/business equipment
- Test instruments
- Medical/dental equipment
- Communications equipment
- HVAC equipment
- Manually operated devices
- Valves
- Gaming equipment
- Pressure switches

#### Description

MICRO SWITCH™ V5 and V7 Series basic switches are used for simple or precision on/off, end of limit, presence/absence, pressure, temperature and manual operator interface application needs.

Product Specifications	
Switch Type	MICRO SWITCH™ Miniature 15,9 mm H x 10,2 mm W x 28,8 mm L [0.63 in H x 0.4 in W x 1.14 in L]
Sealed	No
Ampere Rating	0.1 A
Circuitry	Single Pole Double Throw (SPDT)
Actuator	Straight Lever
Termination	Quick Connect
Operating Temperature Range	-40 °C to 82 °C [-40 °F to 180 °F]
Voltage	125 Vac
Approvals	CSA,UL,ENEC
Actuator Length	35,6 mm [1.40 in]
Contact Type	Gold Plated Silver

Operating Force (O.F.)	0,83 N [3.0 oz] max.
Release Force (R.F.)	0,08 N [0.3 oz] min.
Pretravel (P.T.)	3,05 mm [0.120 in] max.
Overtravel (O.T.)	2,16 mm [0.085 in] min.
Differential Travel (D.T.)	0,76 mm [0.030] max.
Operating Position (O.P.)	15,2 ± 1,143 mm [0.600 ± 0.045 in]
Housing Material	PCT PolyesterThermoplastic
High Temperature	85 °C [185 °F]
UL File #	E12252
CSA File #	LR41370
Agency Approvals and Standards	1054
Mounting Centers	22,2 mm [0.88 in]
Maximum Tightening Torque	0,56 N m [5.0 in lb]
Weight	8 g [0.3 oz]
Package Height	16 mm [0.63 in]
Package Width	10,2 mm [0.40 in]
Package Length	27,7 mm [1.09 in]
Availability	Global
UNSPSC Code	30211905
UNSPSC Commodity	30211905 Snap switches
Series Name	V7

**MICRO SWITCH**  
a Honeywell Division

FED.MFG.CODE 91929

SWITCH-BASIC

CATALOG LISTING

V7-1S17D8-022

CW-B8645

CATALOG LISTING  
V7-1S17D8-022  
PAGE 1 OF 1

**M**

ISSUE  
5

REPLACES

RELEASE NO. PR-18499

CHECK

CHECK

CHECK

CHECK

CHECK

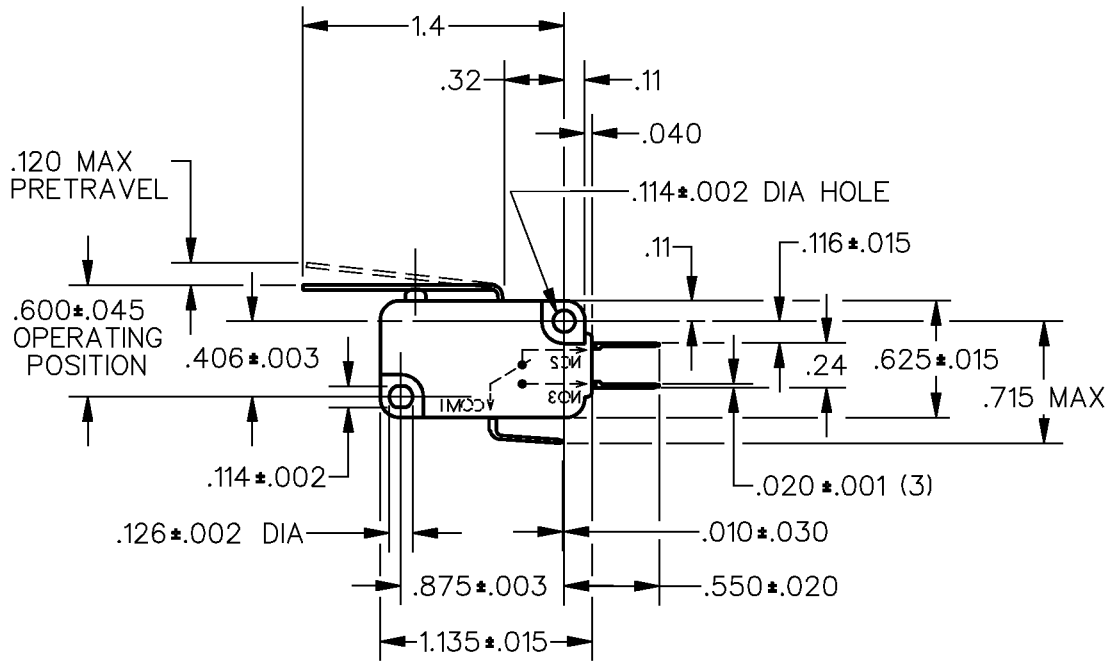
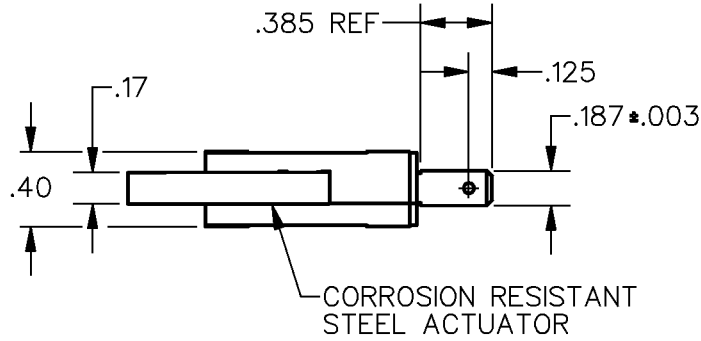
CHECK

CHECK

CHECK

CHECK

CHECK

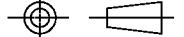


NOTES

- 1 - IN INSPECTION, DO NOT BURN OUT - GOLD CONTACTS
- 2 - IN INSPECTION, DO NOT EXCEED 10 VDC, .1A RESISTIVE LOAD

THIS DRAWING COVERS A PROPRIETARY ITEM AND IS THE PROPERTY OF MICRO SWITCH, A DIVISION OF HONEYWELL. THIS DRAWING IS NOT TO BE COPIED OR USED WITHOUT THE APPROVAL OF MICRO SWITCH.

THIRD ANGLE PROJECTION



CHARACTERISTICS	ELECTRICAL DATA	SCALE	FULL	DO NOT SCALE PRINT
OPERATING FORCE-----85 GRAM MAX	CONTACT ARRANGEMENT S P D T	<b>UNLESS OTHERWISE SPECIFIED TOLERANCES ARE</b>		
RELEASE FORCE -----8 GRAM MIN	0.1A 125 VAC L142	ONE PLACE (.0)		±.030
DIFFERENTIAL TRAVEL-----.030 MAX		TWO PLACE (.00)		±.015
OVERTRAVEL-----.085 MIN		THREE PLACE (.000)		±.005
RELEASE TRAVEL -----.017 MIN		ANGLES		±
		WEIGHT		

FORMTEK

DRAWN

W L S 13 AUG 90

W J C 27 AUG 90

W J C 27 AUG 90

W J C 27 AUG 90

W J C 27 AUG 90

W J C 27 AUG 90

W J C 27 AUG 90

W J C 27 AUG 90

W J C 27 AUG 90