



GLAA01B



Actual product appearance may vary.

Global Limit Switches Series GLS: Top Plunger, 1NC 1NO SPDT Snap Action, 0.5 in - 14NPT conduit

Features

- Designed to IEC standard for world-wide applications
- UL, CSA, and CE
- International conduit sizes
- Direct PLC interface compatible (two circuit)
- Modular construction reduces maintenance parts costs
- Designed for ease of installation
- Variety of basic switch versions
- Wide choice of actuators

Potential Applications

- Machine tools: metal fabrication equipment, presses, transfer lines and special machinery
- Material handling equipment: conveyors, elevators, cranes, and hoists
- Packaging machinery and process equipment
- Textile machinery
- Construction machinery and equipment, vehicles and lift trucks

Description

The GLS series limit switches are specifically designed for world-wide applications and are supported by Honeywell global resources for sale and after sale service.

Product Specifications	
Availability	Global
Operating Force (O.F.)	16,0 N [3.60 lb]
Pretravel (P.T.)	2,5 mm [0.10 in]
Overtravel (O.T.)	4,5 mm [0.18 in]
Differential Travel (D.T.)	0,9 mm [0.035 in]
Product Type	EN50041/47 Global Limit Switch
Actuator	Top Plunger
Lever Style	None
Circuitry	1NC 1NO SPDT Snap Action
Ampere Rating	10 A (Thermal)
Supply Voltage	600 Vac and 250 Vdc max.
Housing Material	Zinc Die-Cast

Termination Type	0.5 in - 14NPT conduit
Housing Type	EN 50041
Series Name	GLS DIN
Shock	50 g per IEC 68-2-27c (w/o Actuator)
Vibration	10 g per IEC 68-2-6 (w/o Actuator)
Sealing	NEMA 1, 4, 12, 13 IP67
Approvals	UL, CSA, CE
CSA File #	LR94369-3
UL File #	E37138 & E157416
Mechanical Life	15 million
Operating Temperature Range	-25 °C to 85 °C [-13 °F to 185 °F]
Agency Approvals and Standards	IEC 947-5-1, EN60947-5-1, UL508
UNSPSC Code	302119
UNSPSC Commodity	302119 Switches and controls and relays
Sealed	Industrial
Operating Position (O.P.)	35,0 mm [1.38 in]

SIDE ROTARY

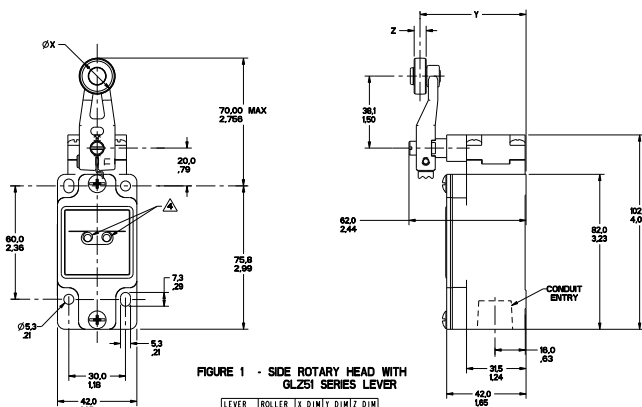


FIGURE 1 - SIDE ROTARY HEAD WITH GL251 SERIES LEVER

LEVER	ROLLER MATL	X	DIM1	DIM2	Z	DIM
GL251A	NYLON	18.1	55.9	6.4	.75	2.20
GL251B	STEEL	18.1	55.9	6.4	.75	2.20
GL251F	RUBBER	50.0	58.1	10.0	1.97	2.65

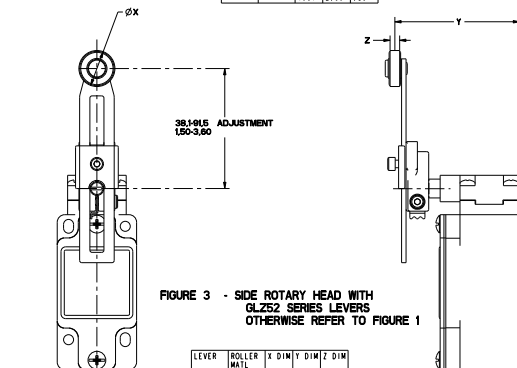


FIGURE 3 - SIDE ROTARY HEAD WITH GL252 SERIES LEVERS OTHERWISE REFER TO FIGURE 1

LEVER	ROLLER MATL	X	DIM1	DIM2	Z	DIM
GL252A	NYLON	19.1	65.9	6.4	.75	2.50
GL252B	STEEL	19.1	65.9	6.4	.75	2.50
GL252D	NYLON	38.1	65.9	6.4	1.5	2.50
GL252E	NYLON	19.1	39.2	33.0	.75	3.15
GL252W	RUBBER	40.0	71.5	12.7	1.9	2.85
GL252Y	RUBBER	50.0	68.8	10.0	1.97	2.71

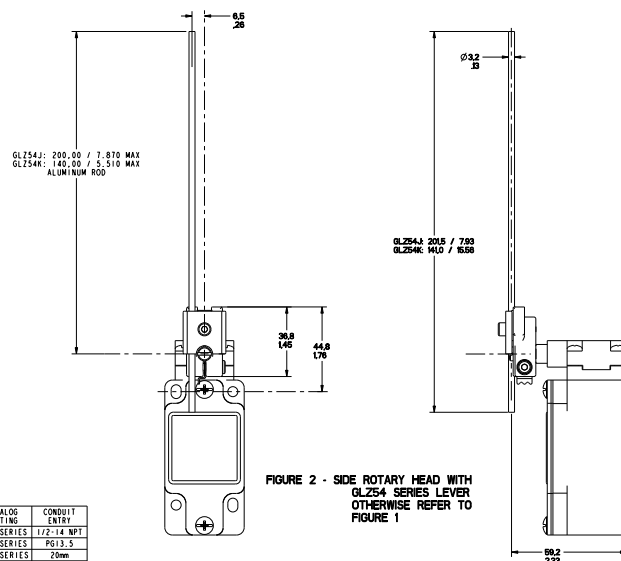


FIGURE 2 - SIDE ROTARY HEAD WITH GL254 SERIES LEVER OTHERWISE REFER TO FIGURE 1

GL254J: 200.00 / 7.870 MAX
GL254K: 140.00 / 5.510 MAX
ALUMINUM ROD

GL254J: 20.6 / 7.89
GL254K: 14.0 / 5.51

FIGURE	CATALOG LISTING	CONDUIT ENTRY
1A	GL+A SERIES	1/2-14 NPT
1B	GL+B SERIES	PG13.5
1C	GL+C SERIES	20mm
1D	GL+D SERIES	PF1/2

ELECTRICAL RATING Δ / Δ			
AC		DC	
A600	AC15	Q300	DC13
Ue	Ie	Ue	Ie
120	6	24	2.8
240	3	250	.27
380	1.9	250	.27
480	1.5		
500	1.4		
600	1.2		

ENVIRONMENTAL RATING	
IPK7	
NEMA/UL TYPES	1, 4, 12, 13

- NOTES
- HEADS MAY BE INDEXED IN 90° INCREMENTS.
 - LEVERS MAY BE REVEYED TO THE SHAFT AT 90° INCREMENTS, THEY MAY ALSO BE ATTACHED, BUT NOT KEYS ANYWHERE ON THE SHAFT.
 - FOR ADDITIONAL LEVERS SEE "M" DRAWING CHART GL25
- THE LEFT INDICATOR IS GREEN AND INDICATES "POWER ON" IT IS ON GLH SERIES PRODUCTS ONLY. THE RIGHT INDICATOR IS YELLOW AND INDICATES "OUTPUT STATUS" IT IS ON GLF AND GLM SERIES PRODUCTS ONLY.
 - THE MAXIMUM VOLTAGE, V_e OF GLF AND GLM SERIES PRODUCTS IS THE MAXIMUM RATED VOLTAGE OF INDICATION LIGHTS.
 - FREE POSITION, OPERATE POINT, OVERTRAVEL AND PRETRAVEL ALL TO EN50041.
 - CAM TRAVEL FOR FIG 9 ONLY APPLIES WHEN LEVER IS ADJUSTED TO 35.1 / 1.38.
 - THE MAXIMUM VOLTAGE, V_e OF "06" AND "36" BASIC SWITCH CODE IS 500V (A500).
 - TEMPERATURE RANGE
 - CALL PRODUCTS EXCEPT #SIDE ROTARY OPERATING HEAD) OPERATING: -25°C TO +85°C / -15°F TO +185°F STORAGE: -40°C TO +85°C / -40°F TO +185°F (PRODUCTS #SIDE ROTARY OPERATING HEAD) OPERATING: -40°C TO +85°C / -40°F TO +185°F STORAGE: -40°C TO +85°C / -40°F TO +185°F

CATALOG LISTING	BODY DIMENSIONS, FIGURE	HEAD DIMENSIONS, FIGURE	HEAD ACTUATION, FIGURE
GLA***	I	N/A	N/A
GLF***	I	N/A	N/A
GLH***	I	N/A	N/A
GLM***	IA	N/A	N/A
GLN***	IB	N/A	N/A
GLC***	IC	N/A	N/A
GLD***	ID	N/A	N/A
GL***A21	I	1	9
GL***A22	I	3	9
GL***A23	I	2	10
GL***A5V	I	4	8
GL***A8	I	4	11
GL***C	I	5	13A, 13B
GL***D	I	6	14A, 14B
GL***E1A	I	3A	12
GL***E7B	I	7	12
GL***E7C	I	7E	15
GL***E7D	I	7B	12
GL***K8B	I	7C	15
GL***K8B	I	7D	15
GL***K8C	I	7	15

THIRD ANGLE PROJECTION

SCALE: 1:1

DO NOT SCALE PRINT

VOLTAGE: 120V

RESISTANCE: 100Ω

WEIGHT: 1.5g

UNIT: mm

DATE: 10/15/10

DESIGNER: J. J. J.

CHECKER: J. J. J.

APPROVER: J. J. J.

THIS DRAWING COVERS A PROPRIETARY ITEM AND IS THE PROPERTY OF MICRO SWITCH, A DIVISION OF HONEYWELL. THIS DRAWING IS NOT TO BE COPIED OR USED WITHOUT THE APPROVAL OF MICRO SWITCH.

THIS DRAWING IS NOT TO BE COPIED OR USED WITHOUT THE APPROVAL OF MICRO SWITCH.

THIS DRAWING IS NOT TO BE COPIED OR USED WITHOUT THE APPROVAL OF MICRO SWITCH.

ANSI Y14.5M-1982 APPLIES

MICRO SWITCH
Honeywell Division

SWITCH, ENCLOSED

GL SERIES CHART 1

M GL SERIES CHART 1

FIGURES 11, PIN PLUNGER HEAD, LINEAR ACTUATION

CATALOG LISTING	CONTACT BLOCK DIAGRAM	NOMINAL TRAVELS AND RELATED TERMINALS CONTACT CLOSED, CONTACT OPEN, CONTACT CLOSED DIFFERENTIAL TRAVEL, ** POSITIVE OPENING TO IEC 947-5-1	MAXIMUM OPERATING FORCE - N LB	MAXIMUM DISCONNECT FORCE - N LB	MAX OPERATE VEL. - M/S IN/S	MIN OPERATE VEL. - M/S IN/S	MAX OPERATE FREQUENCY - OPS/MIN
GL**01B GL**07B	SNAP - ACTION CONTACTS SINGLE POLE	37.5 35 33** 30.5 21-22 13-14 0.9 DIFFERENTIAL TRAVEL	16 3.6	27 6.0	0.1 3.9	1.0 .04	250
GL**03B GL**33B	SLOW ACTING BREAK BEFORE MAKE	37.5 35** 30.5 21-22 13-14 34	16 3.6	27 6.0	0.1 3.9	1.0 .04	250
GL**04B GL**34B	SLOW ACTING MAKE BEFORE BREAK	37.5 34** 30.5 21-22 13-14 35	16 3.6	27 6.0	0.1 3.9	1.0 .04	250
GL**05B GL**35B	SLOW ACTING	37.5 34 30.5 13-14 23-24	16 3.6	27 6.0	0.1 3.9	1.0 .04	250
GL**06B GL**36B	SLOW ACTING	37.5 35** 30.5 11-12 21-22 13-14, 23-24 34	16 3.6	27 6.0	0.1 3.9	1.0 .04	250
GL**20B GL**22B GL**24B GL**28B GL**31B	SNAP ACTION CONTACTS DOUBLE POLE STEP	37.5 35 33** 30.5 11-12, 21-22 13-14, 23-24 0.9 DIFFERENTIAL TRAVEL	16 3.6	37 8.2	0.1 3.9	1.0 .04	250
GL**21B GL**25B GL**29B GL**32B	SNAP ACTION CONTACTS DOUBLE POLE SEQUENTIAL STEP	37.5 35 33.8 30.5 11-12 13-14 21-22 23-24 .8 DIFFERENTIAL TRAVEL	16 3.6	N/A	0.1 3.9	1.0 .04	250

FIGURE 12, WOBBLE HEAD, ANGULAR ACTUATION

CATALOG LISTING	CONTACT BLOCK DIAGRAM	NOMINAL TRAVELS AND RELATED TERMINALS CONTACT CLOSED, CONTACT OPEN, CONTACT CLOSED DIFFERENTIAL TRAVEL, ** POSITIVE OPENING TO IEC 947-5-1	MAXIMUM OPERATING FORCE - N LB	MAXIMUM DISCONNECT FORCE - N LB	MAX OPERATE VEL. - M/S IN/S	MIN OPERATE VEL. - M/S IN/S	MAX OPERATE FREQUENCY - OPS/MIN
GL**01E GL**07E	SNAP - ACTION CONTACTS SINGLE POLE	18" 21-22 13-14 0" DIFFERENTIAL TRAVEL	0.2 1.8	N/A	360	8	100
GL**03E GL**33E	SLOW ACTING BREAK BEFORE MAKE	0" 18" 25" 35" 21-22 13-14	0.2 1.8	N/A	360	8	100
GL**04E GL**34E	SLOW ACTING MAKE BEFORE BREAK	0" 18" 25" 35" 21-22 13-14	0.2 1.8	N/A	360	8	100
GL**05E GL**35E	SLOW ACTING	0" 25" 35" 13-14 23-24	0.2 1.8	N/A	360	8	100
GL**06E GL**36E	SLOW ACTING	0" 18" 35" 11-12 21-22 13-14, 23-24	0.2 1.8	N/A	360	8	100
GL**20E GL**22E GL**24E GL**32E	SNAP ACTION CONTACTS DOUBLE POLE	18" 11-12, 21-22 13-14, 23-24 0" DIFFERENTIAL TRAVEL	0.2 1.8	N/A	360	8	100

FIGURE 12, WOBBLE HEAD, SIDE ACTUATION AT 100mm

CATALOG LISTING	CONTACT BLOCK DIAGRAM	NOMINAL TRAVELS AND RELATED TERMINALS CONTACT CLOSED, CONTACT OPEN, CONTACT CLOSED DIFFERENTIAL TRAVEL, ** POSITIVE OPENING TO IEC 947-5-1	MAXIMUM OPERATING FORCE - N LB	MAXIMUM DISCONNECT FORCE - N LB	MAX OPERATE VEL. - M/S IN/S	MIN OPERATE VEL. - M/S IN/S	MAX OPERATE FREQUENCY - OPS/MIN
GL**01E GL**07E	SNAP - ACTION CONTACTS SINGLE POLE	26 21-22 13-14 12 DIFFERENTIAL TRAVEL	2.5 0.6	N/A	5 19.7	11 .43	100
GL**03E GL**33E	SLOW ACTING BREAK BEFORE MAKE	26.5 38.1 21-22 13-14	2.5 0.6	N/A	5 19.7	11 .43	100
GL**04E GL**34E	SLOW ACTING MAKE BEFORE BREAK	26.5 38.1 21-22 13-14	2.5 0.6	N/A	5 19.7	11 .43	100
GL**05E GL**35E	SLOW ACTING	38.1 13-14 23-24	2.5 0.6	N/A	5 19.7	11 .43	100
GL**06E GL**36E	SLOW ACTING	26.5 11-12 21-22 13-14, 23-24	2.5 0.6	N/A	5 19.7	11 .43	100
GL**20E GL**22E GL**24E GL**32E	SNAP ACTION CONTACTS DOUBLE POLE	26 11-12, 21-22 13-14, 23-24	2.5 0.6	N/A	360	8	100

THIS DRAWING COVERS A PROPRIETARY ITEM AND IS THE PROPERTY OF MICRO SWITCH, A DIVISION OF HONEYWELL. THIS DRAWING IS NOT TO BE COPIED OR USED WITHOUT THE APPROVAL OF MICRO SWITCH.
 MICRO SWITCH
 Honeywell Division
 SWITCH, ENCLOSED
 GL SERIES CHART 1

TRIPLE ANGLE PROJECTION
 SCALE: 1:1
 DO NOT SCALE PRINT
 TOLERANCES:
 DIMENSIONS: .0005"
 HOLE DIMENSIONS: .0005"
 WEIGHT: 0.0005g
 MATERIAL: STAINLESS STEEL
 FINISH: 304

ANSI Y14.5M-1982 APPLICABLE