



BZE6-2RN34



Enclosed Switches Series E6: Top Plunger Actuator; 1NC 1NO SPDT Snap Action; 0.5 in - 14NPT conduit

Actual product appearance may vary.

Features

- Side or flange mount
- Momentary or maintained contact
- Grounding screw
- High capacity (22 amp) available
- Temperature range -32 °C to +71 °C [-25 °F to +160 °F]
- Zinc Die-Cast housing NEMA 1
- UL Recognized, file #E12252
- CSA Certified, file #LR41372
- NEMA 1, 3, 4 /IP66
- Pre-leaded or connector termination options

Potential Applications

- Packaging equipment
- Special machinery
- Textile machinery
- Conveyors
- Construction machinery and equipment
- Printing trades machinery
- Overhead cranes and hoists

Description

MICRO SWITCH™ E6 (side mount) and V6 (flange mount) switches are offered with or without actuator seal boots. Both have a combination insulator/seal cemented inside the bottom enclosure. Lead washers are used to seal the mounting holes on side mount switches. All side mount switches are installed with #6 screws, except the BZE6-2RN7 (#8 screws). Removal of the bottom enclosure exposes the terminals for easy wiring.

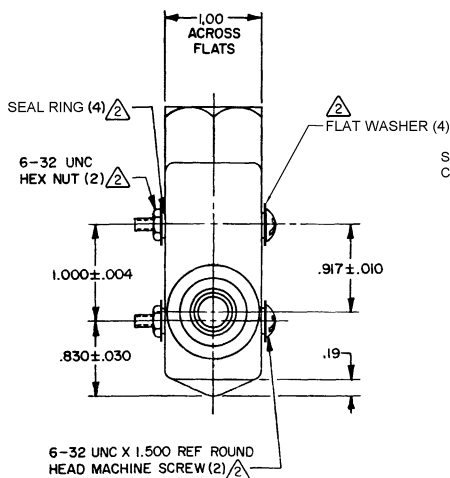
Product Specifications	
Availability	Global
Operating Force (O.F.)	4,17 N to 10,84 N [15 oz to 39 oz]
Release Force (R.F.)	2,78 N min. [10 oz min.]
Overtravel (O.T.)	5,56 mm min. [0.219 in min.]
Differential Travel (D.T.)	0,05 mm max. [0.002 in max.]
Product Type	Enclosed Switches
Actuator	Top Plunger
Circuitry	1NC 1NO SPDT Snap Action
Ampere Rating	15 A Ind./2 A Ind./0.5 A Res./0.25 A Res.
Supply Voltage	125 Vac, 250 Vac, 480 Vac/600 Vac/125 Vdc/250 Vdc
Housing Material	Zinc Die-Cast
Termination Type	0.5 in - 14NPT conduit
Housing Type	Split Housing, Side Mount
Series Name	E6/V6
Sealing	NEMA 1, 3, 4 /IP66
Approvals	UL recognized, CSA certified
CSA File #	LR41372
UL File #	E12252
Operating Temperature Range	-40 °C to 71 °C [-40 °F to 160 °F]
Comment	With seal boot on plunger; Low temperature construction
UNSPSC Code	302119
UNSPSC Commodity	302119 Switches and controls and relays
Sealed	Industrial

MICRO SWITCH
 FREEPORT, ILLINOIS, U.S.A.
 A DIVISION OF HONEYWELL
 FED. MFG. CODE 919F

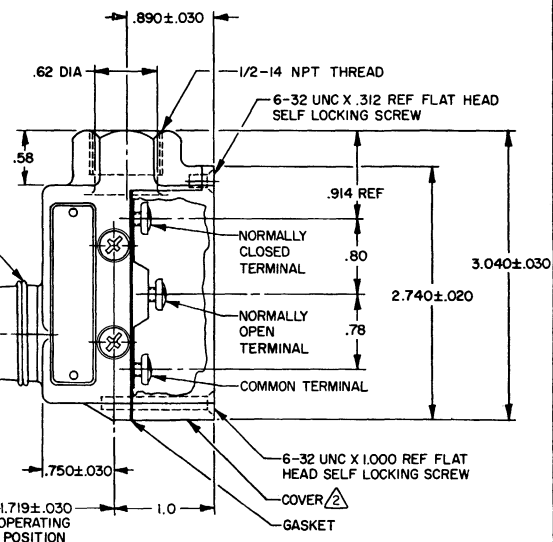
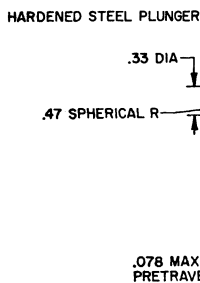
SWITCH-ENCLOSED

CATALOG LISTING
BZE6-2RN34

CATALOG LISTING
BZE6-2RN34
 ISSUE 13
 REVISIONS
 A 00-38200
 24 AUG 77
 B 005398-6
 2 MAY 84
 C 005598-8
 8 NOV 84
 D 0054958
 6 JAN 88
 E 0072476
 4 SEP 82
 F 1 00-77779A
 17 FEB 94
 G 203638
 C.S.T.
 3 AUG 91
 H 204252
 C.S.T.
 26 OCT 01
 J 0017057
 23 NOV 05
 RASTER
 POSSIBLE
 DRAWN
 S L B 124 466 77



SILICONE PLUNGER SEAL SECURED TO COMPONENTS BY EXTERNAL BANDING



THIS DRAWING COVERS A PROPRIETARY ITEM AND IS THE PROPERTY OF MICRO SWITCH, A DIVISION OF HONEYWELL. THIS DRAWING IS NOT TO BE COPIED OR USED WITHOUT THE APPROVAL OF MICRO SWITCH.

CHARACTERISTICS	ELECTRICAL DATA	SCALE FULL
OPERATING FORCE ----- 5-39 OZ	CONTACT ARRANGEMENT S P D T	DO NOT SCALE PRINT
RELEASE FORCE ----- 10 OZ MIN	15A-125, 250 OR 480 VAC, 2A-600 VAC 1/8 HP-125 VAC; 1/4 HP-250 VAC 1/2A-125 VDC; 1/4A-250 VDC CODE L74	UNLESS OTHERWISE NOTED DIMENSIONS ARE IN INCHES
DIFFERENTIAL TRAVEL ----- .002 MAX	CE 1.5A, 240 Vac	TOLERANCES ARE: ONE PLACE (.01) ±.030 TWO PLACE (.005) ±.018 THREE PLACE (.0005) ±.008 ANGLES .5
OVERTRAVEL ----- .219 MIN		WEIGHT .56 LB
BASIC SWITCH REPLACEMENT ----- BZ-2RN753		

- NOTES
 1 - 6-32 UNC X .219 REF BINDING HEAD TERMINAL SCREW AND CUPWASHER (3)
 2 - FURNISHED UNASSEMBLED
 3 - TEMPERATURE RANGE -40°F TO +160°F (-40°C TO +71°C)
 4 - SEAL RATING: NEMA 1,3
 IP54