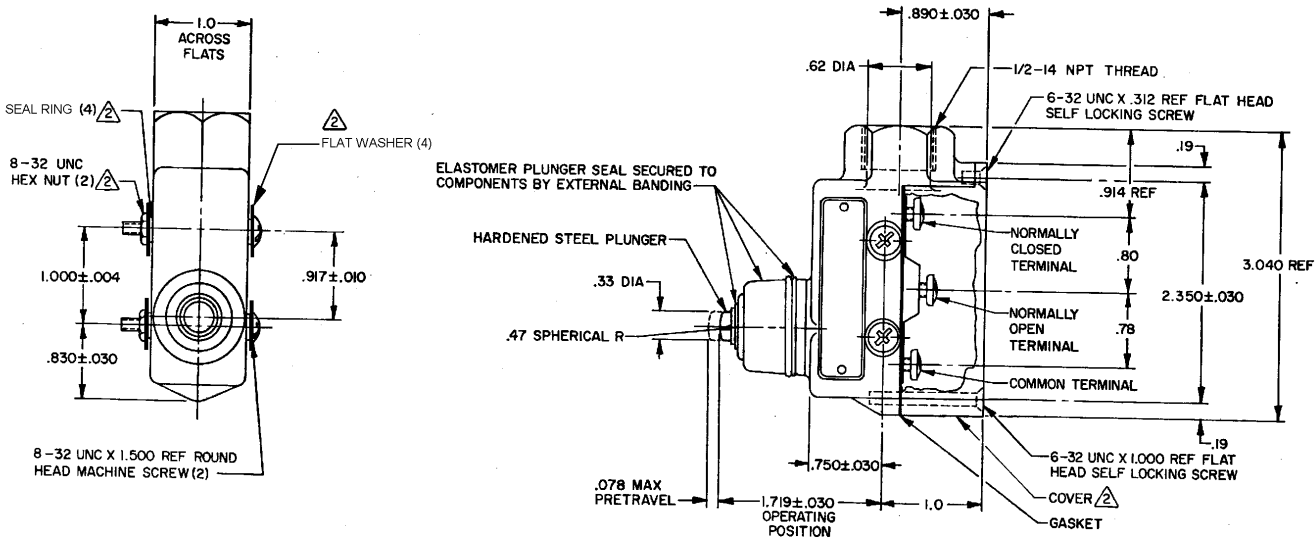


**MICRO SWITCH**  
 FREEPORT, ILLINOIS, U.S.A.  
 A DIVISION OF HONEYWELL  
 FED. MFG. CODE 9188

CATALOG LISTING  
**BZE6-2RN7**

**SWITCH-ENCLOSED**

M BZE6-2RN7  
 DRAWING NUMBER  
 ISSUE 12  
 REVISIONS  
 A NEW DES 03/18/2005  
 B CD388200 8 AUG 77  
 C 60 28 JUN 77  
 D 05591 6 OCT 77  
 E CD55988 18 MAY 81  
 F 10 24 NOV 84  
 G 04958-1 8 FEB 85  
 H 0072475  
 I 0017067  
 J 27/29A 17 FEB 94  
 FOR 285-A  
 DRAWN  
 K SW 8 AUG 77  
 CHECK  
 GCH 19 AUG 77  
 REPLACES  
 22 NOV 05  
 22 NOV 05  
 BP  
 19 AUG 77  
 19 AUG 77



- NOTES-
- 1 - 6-32 UNC X .219 REF BINDING HEAD TERMINAL SCREW AND CUPWASHER (3) FURNISHED UNASSEMBLED
  - 3 - SEAL RATING: NEMA1,3 IP54

THIS DRAWING COVERS A PROPRIETARY ITEM AND IS THE PROPERTY OF MICRO SWITCH, A DIVISION OF HONEYWELL. THIS DRAWING IS NOT TO BE COPIED OR USED WITHOUT THE APPROVAL OF MICRO SWITCH.		SCALE FULL
<b>CHARACTERISTICS</b>	<b>ELECTRICAL DATA</b>	DO NOT SCALE PRINT UNLESS OTHERWISE NOTED DIMENSIONS ARE IN INCHES
OPERATING FORCE ----- 9-24 OZ	CONTACT ARRANGEMENT S P D T	<b>TOLERANCES ARE:</b>
RELEASE FORCE ----- 4 OZ MIN	15A - 125, 250 OR 480 VAC; 2A - 600 VAC 1/8HP - 125 VAC; 1/4HP - 250 VAC CODE L74 1/2A - 125 VDC; 1/4A - 250 VDC	ONE PLACE (.0) ±.000 TWO PLACE (.00) ±.010 THREE PLACE (.000) ±.008 ANGLES ±
DIFFERENTIAL TRAVEL ----- .002 MAX	CE 1.5A, 240Vac	WEIGHT .56 LB
OVERTRAVEL ----- .219 MIN		
BASIC SWITCH REPLACEMENT --- BZ-2RN730		