

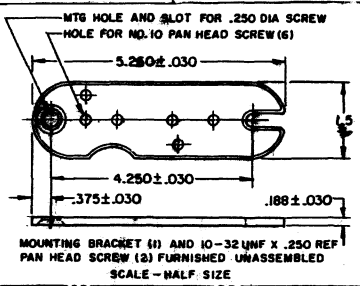
MICRO SWITCH
A DIVISION OF MINNEAPOLIS-HONEYWELL REGULATOR COMPANY
FED. MFR. CODE 91929

SWITCH-ENCLOSED

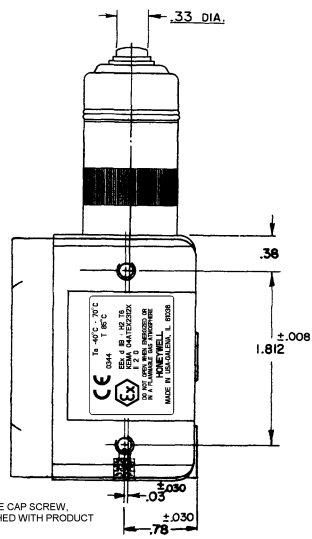
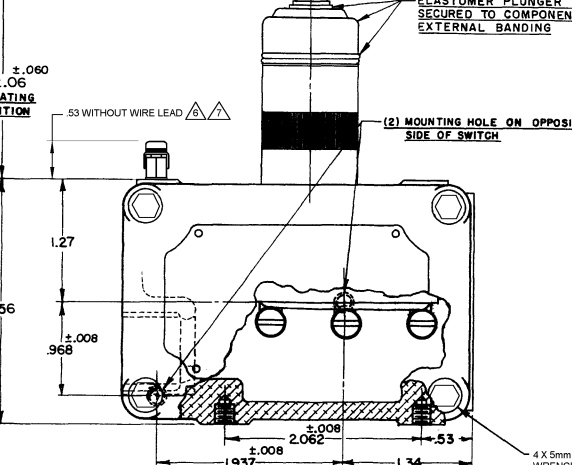
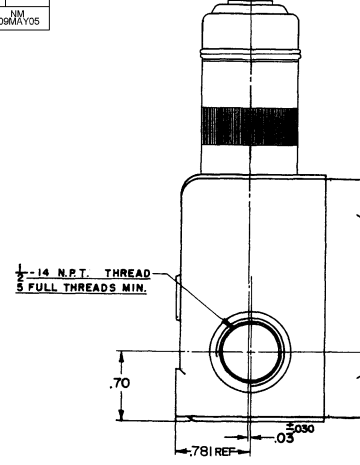
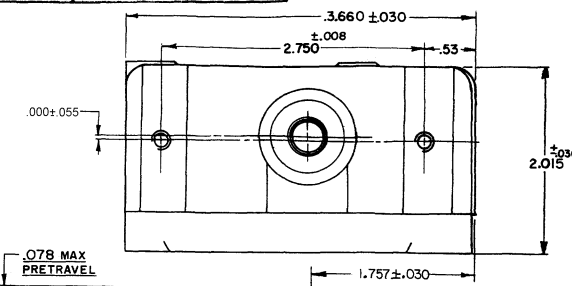
CATALOG LISTING
EX-N15

THIS DRAWING COVERS A PROPRIETARY ITEM AND IS THE PROPERTY OF MICRO SWITCH, A DIVISION OF HONEYWELL. THIS DRAWING IS NOT TO BE COPIED OR USED WITHOUT THE APPROVAL OF MICRO SWITCH.

EX-N15
 M
 REVISION NUMBER
 ISSUE
 1
 2
 3
 4
 5
 6
 7
 8
 9
 10
 11
 12
 13
 14
 15
 16
 17
 18
 19
 20
 21
 22
 23
 24
 25
 26
 27
 28
 29
 30
 31
 32
 33
 34
 35
 36
 37
 38
 39
 40
 41
 42
 43
 44
 45
 46
 47
 48
 49
 50



MOUNTING BRACKET (1) AND 10-32 UNF X .250 REF PAN HEAD SCREW (2) FURNISHED UNASSEMBLED
SCALE - HALF SIZE



REVISIONS
 A CO 18276
 B CO 18276
 C CO 18276
 D CO 18276
 E CO 18276
 F CO 18276
 G CO 18276
 H CO 18276
 I CO 18276
 J CO 18276
 K CO 18276
 L CO 18276
 M CO 18276
 N CO 18276
 O CO 18276
 P CO 18276
 Q CO 18276
 R CO 18276
 S CO 18276
 T CO 18276
 U CO 18276
 V CO 18276
 W CO 18276
 X CO 18276
 Y CO 18276
 Z CO 18276
 AA CO 18276
 AB CO 18276
 AC CO 18276
 AD CO 18276
 AE CO 18276
 AF CO 18276
 AG CO 18276
 AH CO 18276
 AI CO 18276
 AJ CO 18276
 AK CO 18276
 AL CO 18276
 AM CO 18276
 AN CO 18276
 AO CO 18276
 AP CO 18276
 AQ CO 18276
 AR CO 18276
 AS CO 18276
 AT CO 18276
 AU CO 18276
 AV CO 18276
 AW CO 18276
 AX CO 18276
 AY CO 18276
 AZ CO 18276
 BA CO 18276
 BB CO 18276
 BC CO 18276
 BD CO 18276
 BE CO 18276
 BF CO 18276
 BG CO 18276
 BH CO 18276
 BI CO 18276
 BJ CO 18276
 BK CO 18276
 BL CO 18276
 BM CO 18276
 BN CO 18276
 BO CO 18276
 BP CO 18276
 BQ CO 18276
 BR CO 18276
 BS CO 18276
 BT CO 18276
 BU CO 18276
 BV CO 18276
 BW CO 18276
 BX CO 18276
 BY CO 18276
 BZ CO 18276
 CA CO 18276
 CB CO 18276
 CC CO 18276
 CD CO 18276
 CE CO 18276
 CF CO 18276
 CG CO 18276
 CH CO 18276
 CI CO 18276
 CJ CO 18276
 CK CO 18276
 CL CO 18276
 CM CO 18276
 CN CO 18276
 CO CO 18276
 CP CO 18276
 CQ CO 18276
 CR CO 18276
 CS CO 18276
 CT CO 18276
 CU CO 18276
 CV CO 18276
 CW CO 18276
 CX CO 18276
 CY CO 18276
 CZ CO 18276
 DA CO 18276
 DB CO 18276
 DC CO 18276
 DD CO 18276
 DE CO 18276
 DF CO 18276
 DG CO 18276
 DH CO 18276
 DI CO 18276
 DJ CO 18276
 DK CO 18276
 DL CO 18276
 DM CO 18276
 DN CO 18276
 DO CO 18276
 DP CO 18276
 DQ CO 18276
 DR CO 18276
 DS CO 18276
 DT CO 18276
 DU CO 18276
 DV CO 18276
 DW CO 18276
 DX CO 18276
 DY CO 18276
 DZ CO 18276
 EA CO 18276
 EB CO 18276
 EC CO 18276
 ED CO 18276
 EE CO 18276
 EF CO 18276
 EG CO 18276
 EH CO 18276
 EI CO 18276
 EJ CO 18276
 EK CO 18276
 EL CO 18276
 EM CO 18276
 EN CO 18276
 EO CO 18276
 EP CO 18276
 EQ CO 18276
 ER CO 18276
 ES CO 18276
 ET CO 18276
 EU CO 18276
 EV CO 18276
 EW CO 18276
 EX CO 18276
 EY CO 18276
 EZ CO 18276
 FA CO 18276
 FB CO 18276
 FC CO 18276
 FD CO 18276
 FE CO 18276
 FF CO 18276
 FG CO 18276
 FH CO 18276
 FI CO 18276
 FJ CO 18276
 FK CO 18276
 FL CO 18276
 FM CO 18276
 FN CO 18276
 FO CO 18276
 FP CO 18276
 FQ CO 18276
 FR CO 18276
 FS CO 18276
 FT CO 18276
 FU CO 18276
 FV CO 18276
 FW CO 18276
 FX CO 18276
 FY CO 18276
 FZ CO 18276
 GA CO 18276
 GB CO 18276
 GC CO 18276
 GD CO 18276
 GE CO 18276
 GF CO 18276
 GG CO 18276
 GH CO 18276
 GI CO 18276
 GJ CO 18276
 GK CO 18276
 GL CO 18276
 GM CO 18276
 GN CO 18276
 GO CO 18276
 GP CO 18276
 GQ CO 18276
 GR CO 18276
 GS CO 18276
 GT CO 18276
 GU CO 18276
 GV CO 18276
 GW CO 18276
 GX CO 18276
 GY CO 18276
 GZ CO 18276
 HA CO 18276
 HB CO 18276
 HC CO 18276
 HD CO 18276
 HE CO 18276
 HF CO 18276
 HG CO 18276
 HH CO 18276
 HI CO 18276
 HJ CO 18276
 HK CO 18276
 HL CO 18276
 HM CO 18276
 HN CO 18276
 HO CO 18276
 HP CO 18276
 HQ CO 18276
 HR CO 18276
 HS CO 18276
 HT CO 18276
 HU CO 18276
 HV CO 18276
 HW CO 18276
 HX CO 18276
 HY CO 18276
 HZ CO 18276
 IA CO 18276
 IB CO 18276
 IC CO 18276
 ID CO 18276
 IE CO 18276
 IF CO 18276
 IG CO 18276
 IH CO 18276
 II CO 18276
 IJ CO 18276
 IK CO 18276
 IL CO 18276
 IM CO 18276
 IN CO 18276
 IO CO 18276
 IP CO 18276
 IQ CO 18276
 IR CO 18276
 IS CO 18276
 IT CO 18276
 IU CO 18276
 IV CO 18276
 IW CO 18276
 IX CO 18276
 IY CO 18276
 IZ CO 18276
 JA CO 18276
 JB CO 18276
 JC CO 18276
 JD CO 18276
 JE CO 18276
 JF CO 18276
 JG CO 18276
 JH CO 18276
 JI CO 18276
 JJ CO 18276
 JK CO 18276
 JL CO 18276
 JM CO 18276
 JN CO 18276
 JO CO 18276
 JP CO 18276
 JQ CO 18276
 JR CO 18276
 JS CO 18276
 JT CO 18276
 JU CO 18276
 JV CO 18276
 JW CO 18276
 JX CO 18276
 JY CO 18276
 JZ CO 18276
 KA CO 18276
 KB CO 18276
 KC CO 18276
 KD CO 18276
 KE CO 18276
 KF CO 18276
 KG CO 18276
 KH CO 18276
 KI CO 18276
 KJ CO 18276
 KK CO 18276
 KL CO 18276
 KM CO 18276
 KN CO 18276
 KO CO 18276
 KP CO 18276
 KQ CO 18276
 KR CO 18276
 KS CO 18276
 KT CO 18276
 KU CO 18276
 KV CO 18276
 KW CO 18276
 KX CO 18276
 KY CO 18276
 KZ CO 18276
 LA CO 18276
 LB CO 18276
 LC CO 18276
 LD CO 18276
 LE CO 18276
 LF CO 18276
 LG CO 18276
 LH CO 18276
 LI CO 18276
 LJ CO 18276
 LK CO 18276
 LL CO 18276
 LM CO 18276
 LN CO 18276
 LO CO 18276
 LP CO 18276
 LQ CO 18276
 LR CO 18276
 LS CO 18276
 LT CO 18276
 LU CO 18276
 LV CO 18276
 LW CO 18276
 LX CO 18276
 LY CO 18276
 LZ CO 18276
 MA CO 18276
 MB CO 18276
 MC CO 18276
 MD CO 18276
 ME CO 18276
 MF CO 18276
 MG CO 18276
 MH CO 18276
 MI CO 18276
 MJ CO 18276
 MK CO 18276
 ML CO 18276
 MM CO 18276
 MN CO 18276
 MO CO 18276
 MP CO 18276
 MQ CO 18276
 MR CO 18276
 MS CO 18276
 MT CO 18276
 MU CO 18276
 MV CO 18276
 MW CO 18276
 MX CO 18276
 MY CO 18276
 MZ CO 18276
 NA CO 18276
 NB CO 18276
 NC CO 18276
 ND CO 18276
 NE CO 18276
 NF CO 18276
 NG CO 18276
 NH CO 18276
 NI CO 18276
 NJ CO 18276
 NK CO 18276
 NL CO 18276
 NM CO 18276
 NO CO 18276
 NP CO 18276
 NQ CO 18276
 NR CO 18276
 NS CO 18276
 NT CO 18276
 NU CO 18276
 NV CO 18276
 NW CO 18276
 NX CO 18276
 NY CO 18276
 NZ CO 18276
 OA CO 18276
 OB CO 18276
 OC CO 18276
 OD CO 18276
 OE CO 18276
 OF CO 18276
 OG CO 18276
 OH CO 18276
 OI CO 18276
 OJ CO 18276
 OK CO 18276
 OL CO 18276
 OM CO 18276
 ON CO 18276
 OO CO 18276
 OP CO 18276
 OQ CO 18276
 OR CO 18276
 OS CO 18276
 OT CO 18276
 OU CO 18276
 OV CO 18276
 OW CO 18276
 OX CO 18276
 OY CO 18276
 OZ CO 18276
 PA CO 18276
 PB CO 18276
 PC CO 18276
 PD CO 18276
 PE CO 18276
 PF CO 18276
 PG CO 18276
 PH CO 18276
 PI CO 18276
 PJ CO 18276
 PK CO 18276
 PL CO 18276
 PM CO 18276
 PN CO 18276
 PO CO 18276
 PP CO 18276
 PQ CO 18276
 PR CO 18276
 PS CO 18276
 PT CO 18276
 PU CO 18276
 PV CO 18276
 PW CO 18276
 PX CO 18276
 PY CO 18276
 PZ CO 18276
 QA CO 18276
 QB CO 18276
 QC CO 18276
 QD CO 18276
 QE CO 18276
 QF CO 18276
 QG CO 18276
 QH CO 18276
 QI CO 18276
 QJ CO 18276
 QK CO 18276
 QL CO 18276
 QM CO 18276
 QN CO 18276
 QO CO 18276
 QP CO 18276
 QQ CO 18276
 QR CO 18276
 QS CO 18276
 QT CO 18276
 QU CO 18276
 QV CO 18276
 QW CO 18276
 QX CO 18276
 QY CO 18276
 QZ CO 18276
 RA CO 18276
 RB CO 18276
 RC CO 18276
 RD CO 18276
 RE CO 18276
 RF CO 18276
 RG CO 18276
 RH CO 18276
 RI CO 18276
 RJ CO 18276
 RK CO 18276
 RL CO 18276
 RM CO 18276
 RN CO 18276
 RO CO 18276
 RP CO 18276
 RQ CO 18276
 RR CO 18276
 RS CO 18276
 RT CO 18276
 RU CO 18276
 RV CO 18276
 RW CO 18276
 RX CO 18276
 RY CO 18276
 RZ CO 18276
 SA CO 18276
 SB CO 18276
 SC CO 18276
 SD CO 18276
 SE CO 18276
 SF CO 18276
 SG CO 18276
 SH CO 18276
 SI CO 18276
 SJ CO 18276
 SK CO 18276
 SL CO 18276
 SM CO 18276
 SN CO 18276
 SO CO 18276
 SP CO 18276
 SQ CO 18276
 SR CO 18276
 SS CO 18276
 ST CO 18276
 SU CO 18276
 SV CO 18276
 SW CO 18276
 SX CO 18276
 SY CO 18276
 SZ CO 18276
 TA CO 18276
 TB CO 18276
 TC CO 18276
 TD CO 18276
 TE CO 18276
 TF CO 18276
 TG CO 18276
 TH CO 18276
 TI CO 18276
 TJ CO 18276
 TK CO 18276
 TL CO 18276
 TM CO 18276
 TN CO 18276
 TO CO 18276
 TP CO 18276
 TQ CO 18276
 TR CO 18276
 TS CO 18276
 TU CO 18276
 TV CO 18276
 TW CO 18276
 TX CO 18276
 TY CO 18276
 TZ CO 18276
 UA CO 18276
 UB CO 18276
 UC CO 18276
 UD CO 18276
 UE CO 18276
 UF CO 18276
 UG CO 18276
 UH CO 18276
 UI CO 18276
 UJ CO 18276
 UK CO 18276
 UL CO 18276
 UM CO 18276
 UN CO 18276
 UO CO 18276
 UP CO 18276
 UQ CO 18276
 UR CO 18276
 US CO 18276
 UT CO 18276
 UU CO 18276
 UV CO 18276
 UW CO 18276
 UX CO 18276
 UY CO 18276
 UZ CO 18276
 VA CO 18276
 VB CO 18276
 VC CO 18276
 VD CO 18276
 VE CO 18276
 VF CO 18276
 VG CO 18276
 VH CO 18276
 VI CO 18276
 VJ CO 18276
 VK CO 18276
 VL CO 18276
 VM CO 18276
 VN CO 18276
 VO CO 18276
 VP CO 18276
 VQ CO 18276
 VR CO 18276
 VS CO 18276
 VT CO 18276
 VU CO 18276
 VV CO 18276
 VW CO 18276
 VX CO 18276
 VY CO 18276
 VZ CO 18276
 WA CO 18276
 WB CO 18276
 WC CO 18276
 WD CO 18276
 WE CO 18276
 WF CO 18276
 WG CO 18276
 WH CO 18276
 WI CO 18276
 WJ CO 18276
 WK CO 18276
 WL CO 18276
 WM CO 18276
 WN CO 18276
 WO CO 18276
 WP CO 18276
 WQ CO 18276
 WR CO 18276
 WS CO 18276
 WT CO 18276
 WU CO 18276
 WV CO 18276
 WW CO 18276
 WX CO 18276
 WY CO 18276
 WZ CO 18276
 XA CO 18276
 XB CO 18276
 XC CO 18276
 XD CO 18276
 XE CO 18276
 XF CO 18276
 XG CO 18276
 XH CO 18276
 XI CO 18276
 XJ CO 18276
 XK CO 18276
 XL CO 18276
 XM CO 18276
 XN CO 18276
 XO CO 18276
 XP CO 18276
 XQ CO 18276
 XR CO 18276
 XS CO 18276
 XT CO 18276
 XU CO 18276
 XV CO 18276
 XW CO 18276
 XX CO 18276
 XY CO 18276
 XZ CO 18276
 YA CO 18276
 YB CO 18276
 YC CO 18276
 YD CO 18276
 YE CO 18276
 YF CO 18276
 YG CO 18276
 YH CO 18276
 YI CO 18276
 YJ CO 18276
 YK CO 18276
 YL CO 18276
 YM CO 18276
 YN CO 18276
 YO CO 18276
 YP CO 18276
 YQ CO 18276
 YR CO 18276
 YS CO 18276
 YT CO 18276
 YU CO 18276
 YV CO 18276
 YW CO 18276
 YX CO 18276
 YY CO 18276
 YZ CO 18276
 ZA CO 18276
 ZB CO 18276
 ZC CO 18276
 ZD CO 18276
 ZE CO 18276
 ZF CO 18276
 ZG CO 18276
 ZH CO 18276
 ZI CO 18276
 ZJ CO 18276
 ZK CO 18276
 ZL CO 18276
 ZM CO 18276
 ZN CO 18276
 ZO CO 18276
 ZP CO 18276
 ZQ CO 18276
 ZR CO 18276
 ZS CO 18276
 ZT CO 18276
 ZU CO 18276
 ZV CO 18276
 ZW CO 18276
 ZX CO 18276
 ZY CO 18276
 ZZ CO 18276

CHARACTERISTICS	ELECTRICAL DATA
OPERATING FORCE-----3 LB MAX	CONTACT ARRANGEMENT SPDT
RELEASE FORCE-----3/4 LB MIN	-L9- 10 A-125, 250, OR 480 VAC 1/2 A-125 VDC; 1/4 A-250 VDC
DIFFERENTIAL TRAVEL-----.004 MAX	
OVERTRAVEL-----.188 MIN	
SWITCH-BASIC REPLACEMENT--BZ-2R15-P4	

SCALE - FULL
DO NOT SCALE PRINT
UNLESS OTHERWISE SPECIFIED
DIMENSIONS ARE IN INCHES
TOLERANCES ARE:
ONE PLACE (.0) 1.030
TWO PLACE (.00) 2.015
THREE PLACE (.000) 2.008
ANGLES
WEIGHT

NOTE:
 1-EXPLOSION PROOF - UNDERWRITERS' LAB INC LISTED FOR HAZARDOUS
 NEMA 7 LOCATIONS CLASS I, GROUPS C AND D, NEMA 9, CLASS II, GROUPS E, F, AND G.
 2-(8) MOUNTING SCREW HOLES, 10-32 WF-28 THREAD X 3/16" DEEP
 3-8-32 NC X 2 1/8" TERMINAL SCREWS AND CUP WASHERS.
 4-EUROPEAN HAZARDOUS LOCATIONS DESIGNATION: EEx d IIB + H2 TO CATEGORY II 2 G
 5-SEAL RATING NEMA 1
 6-EXTERNAL GROUND SCREW MAY BE ASSEMBLED TO ANY UNUSED MOUNTING SCREW HOLE
 7-ASSEMBLE PROVIDED SPLIT LOCKWASHER BETWEEN GROUND LUG AND HOUSING

THIS DRAWING COVERS A PROPRIETARY ITEM AND IS THE PROPERTY OF MICRO SWITCH, A DIVISION OF MINNEAPOLIS-HONEYWELL REGULATOR CO. THIS DRAWING IS NOT TO BE COPIED OR USED WITHOUT THE APPROVAL OF MICRO SWITCH.