



BZ-2RW805551-A2



Actual product appearance may vary.

BZ Series Standard Basic Switch, Single Pole Double Throw Circuitry, 15 A at 250 Vac, Straight Lever Actuator, 0,7 N [2.5 oz] Maximum Operating Force, Silver Contacts, Screw Termination, CE, CSA, DEMKO, UL

Features

- Accepted world-wide standard "Large Basic" switch
- Low operating force and differential travel
- Long mechanical life up to 20,000,000 cycles at 95% survival
- Elongated mounting hole for easier, more accurate mounting
- Current rating ranges from 15 A to 25 A
- Choice of actuation, termination and operating characteristics

Potential Applications

- Irrigation systems
- Semi-trailer trucks
- Timing devices
- Office equipment
- Test instruments
- Medical/dental equipment
- HVAC equipment
- Manually operated devices
- Valves

Description

MICRO SWITCH™ BZ/BA Series standard basic switches are used for simple or precision on/off application needs.

Product Specifications	
Switch Type	MICRO SWITCH™ Standard 25,4 mm H x 17,8 mm W x 50,8 mm L [1.0 in H x 0.7 in W x 2.0 in L]
Sealed	Yes, Environment
Ampere Rating	15 A
Circuitry	Single Pole Double Throw (SPDT)
Actuator	Straight Lever
Termination	Screw
Operating Temperature Range	-55 °C to 85 °C [-67 °F to 185 °F]
Voltage	250 Vac
Approvals	CE, CSA, UL
Actuator Length	63,50 mm [2.50 in]

Contact Type	Silver
Operating Force (O.F.)	0,7 N [2.5 oz] max.
Release Force (R.F.)	0,14 N [0.5 oz] min.
Overtravel (O.T.)	5,56 mm [0.219 in] min.
Differential Travel (D.T.)	0,18 mm [0.709 in] - 1,27 mm [0.007 in - 0.050 in]
Operating Position (O.P.)	19,1 mm \pm 0,76 mm [0.75 in \pm 0.03 in]
Free Position (F.P.)	28,14 mm [1.108 in] max.
Material	Plastic
Housing Material	General Purpose Phenolic
High Temperature	204 °C [400 °F]
CE mark	61058-1
UL File #	E12252
CSA File #	LR41370
Agency Approvals and Standards	1054
Mounting Screw Size	3,53 mm [0.139 in]
Mounting Centers	25,4 mm [1 in]
Maximum Tightening Torque	0,33 N m [3.0 in lb]
Weight	33,1 g [0.073 lb]
Package Height	24,1 mm [0.95 in]
Package Width	17,5 mm [0.69 in]
Package Length	49,3 mm [1.94 in]
Recommended For	Dustproof and splash resistant seal
Availability	Global
UNSPSC Code	30211905
UNSPSC Commodity	30211905 Snap switches
Series Name	BZ/BA/WA/YZ

MICRO SWITCH

FREEMONT ILLINOIS, U.S.A
A DIVISION OF HONEYWELL
FED. MFG. CODE 91929

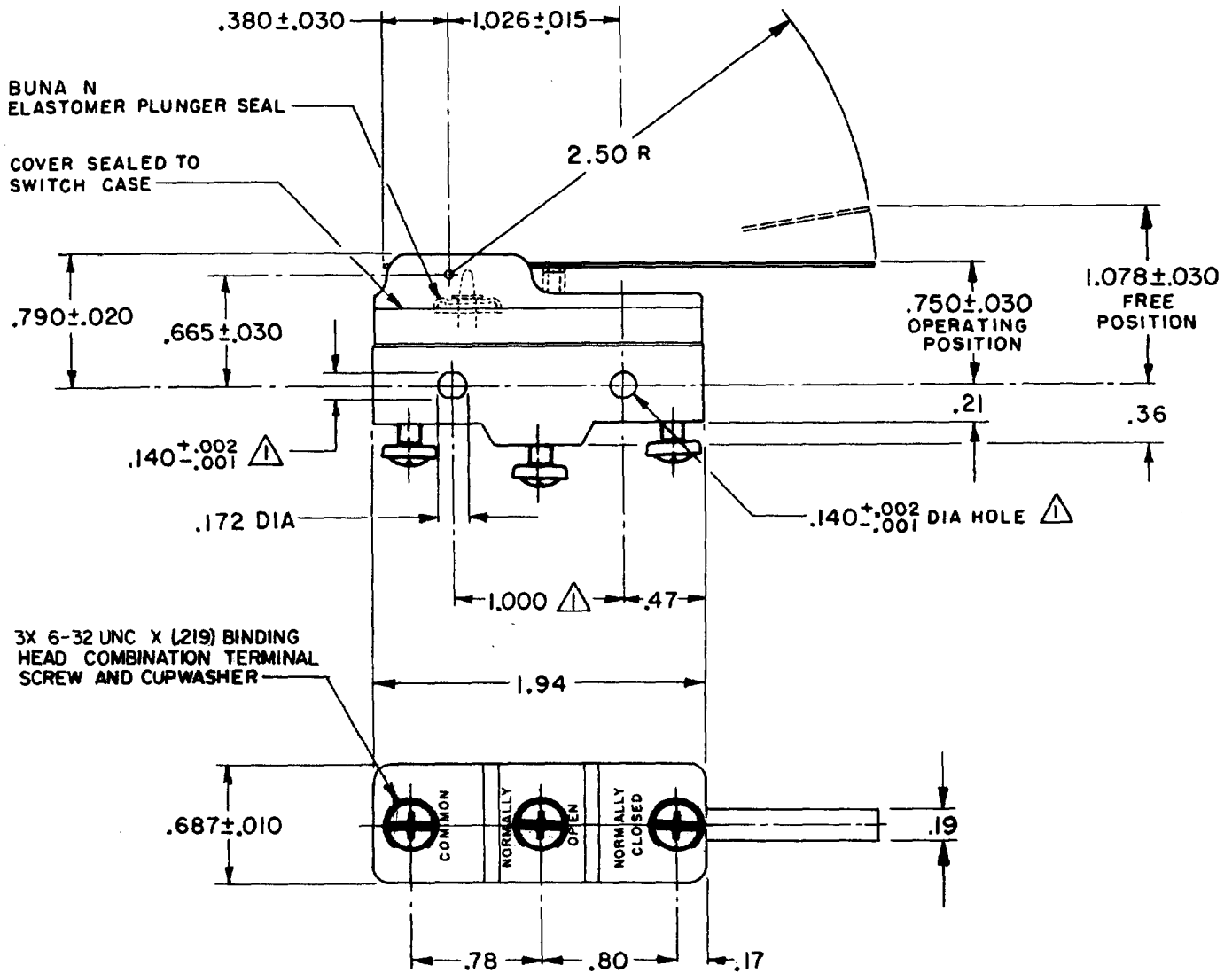
SWITCH-BASIC

CATALOG LISTING

BZ-2RW805551-A2

APY8300

M BZ-2RW805551-A2
 DRAWING NUMBER
 6
 ISSUE
 29 AUG 05
 RELEASE NO. PR-1033
 REPLACES
 CHECK
 29 AUG 05
 RJ
 CHECK
 29 AUG 05
 REVISIONS
 A C067209 JAP 3 MAY 90
 B CO-73287-B DHD 19 MAY 95
 C CO-77589 MAM 29 MAR 94
 D C093346 DLT 17 SEP 98
 E 0015138 SPK 29 AUG 05
 CHECK
 27 DEC 69
 GCH
 DRAWN
 FORMTEK
 FO-50378-1A



NOTES
 ▲ MOUNTING HOLES WILL ACCEPT PINS OR SCREWS OF .139 MAX DIA ON 1.000 ± .002 CENTERS
 2 - SEALED CONSTRUCTION PROVIDES SPLASH RESISTANCE

THIS DRAWING COVERS A PROPRIETARY ITEM AND IS THE PROPERTY OF MICRO SWITCH, A DIVISION OF HONEYWELL. THIS DRAWING IS NOT TO BE COPIED OR USED WITHOUT THE APPROVAL OF MICRO SWITCH.

CHARACTERISTICS	ELECTRICAL DATA	SCALE FULL
OPERATING FORCE----- 2 1/2 OZ MAX	CONTACT ARRANGEMENT S P D T	DO NOT SCALE PRINT
RELEASE FORCE----- 1/2 OZ MIN	L96 15A 125, 250 OR 480 VAC 1/8 HP 125 VAC, 1/4 HP 250 VAC 1/2A 125 VDC, 1/4A 250 VDC	UNLESS OTHERWISE NOTED DIMENSIONS ARE IN INCHES TOLERANCES ARE:
DIFFERENTIAL TRAVEL----- .007 -.050	-L288- -L306- -L315-	ONE PLACE (.0) ±.030 TWO PLACE (.00) ±.015 THREE PLACE (.000) ±.005 ANGLES ±
OVERTRAVEL----- .219 MIN	CE EN EC 05 RJ 16A 250V ~ T85 5E4	WEIGHT .073 LB