



1AC2



Actual product appearance may vary.

AC Series Door Switch, Single Pole Double Throw Circuitry, 15 A at 250 Vac, Rod Actuator, Silver Contacts, Screw Termination

Features

- Automatically cuts power when service door or drawer is opened
- Choice of momentary, maintained or pull-to-heat actuation
- Versatile mounting bracket for side or end mounting
- Current rating ranges from 5 A to 25 A
- Available with one or two SPDT switches
- UL recognized versions available
- Choice of termination

Potential Applications

- Appliances
- Vending machines
- Office equipment
- Computer/business equipment
- Test instruments
- Medical/dental equipment
- Communications equipment
- HVAC equipment

Description

MICRO SWITCH™ AC Series Door Switches are used for simple or precision on/off application needs. They enable circuit testing with POWER ON by manually pulling a rod actuator to the maintained-ON position. Closing the door resets the switch.

Product Specifications	
Switch Type	Door 38,1 mm H x 12,7 mm W x 38,1 mm L [1.5 in H x 0.5 in W x 1.5 in L]
Sealed	No
Ampere Rating	15 A
Circuitry	Single Pole Double Throw (SPDT)
Actuator	Rod
Termination	Screw
Operating Temperature Range	-55 °C to 125 °C [-67 °F to 257 °F]
Voltage	250 Vac
Contact Type	Silver
Operating Position (O.P.)	6,35 mm [0.250 in] min.

Free Position (F.P.)	9,53 mm [0,375 in] max.
Housing Material	Stainless Steel Bracket, Stainless Steel or Polyester Rod
Agency Approvals and Standards	1054
Package Height	41,9 mm [1.65 in]
Package Width	19,6 mm [0.77 in]
Package Length	78,5 mm [3.09 in]
Availability	Global
UNSPSC Code	30211905
UNSPSC Commodity	30211905 Snap switches
Series Name	AC

MICRO SWITCH

A DIVISION OF MINNEAPOLIS-HONEYWELL REGULATOR COMPANY
 FREDERICK, BALTIMORE
 FED. MFR. CODE 91929

ASSEMBLY-SWITCH

CATALOG LISTING

IAC 2

5

(M) IAC2
 ISSUE II

REPLACES

RELEASE NO.

CHECK

CHECK

CHECK

CHECK

IAC2

M

DRAWING NUMBER

1213

ISSUE

REVISIONS

A CO15200
 M B F
 17 OCT 60

B CO
 61338
 G R T
 28 MAY 67

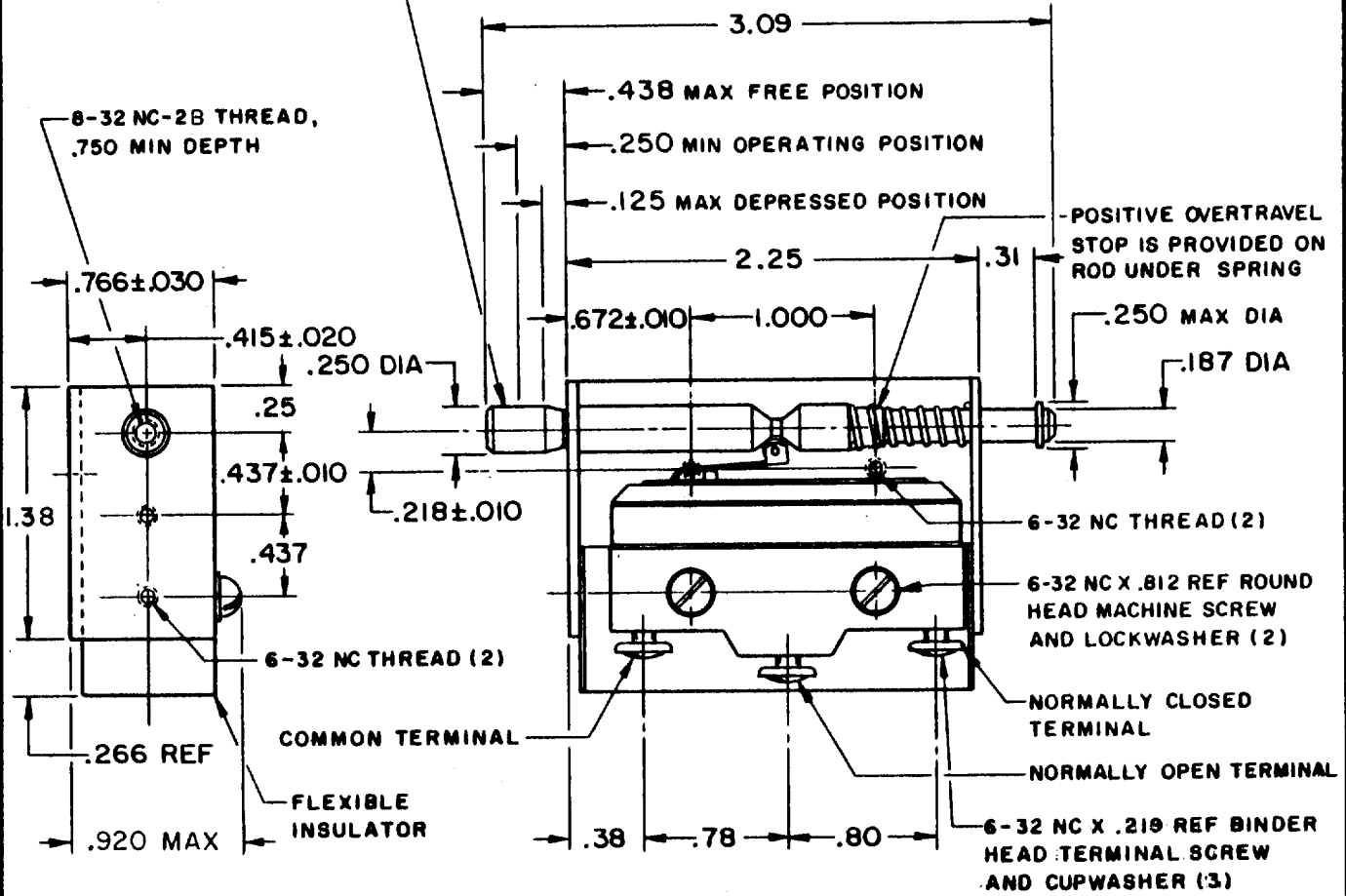
DAW 21 OCT 60

CHECK

CHECK

MBF 17 OCT 60

PUSH TO OPERATE - RETURNS AUTOMATICALLY TO POSITION SHOWN
 PULL TO OPERATE - REMAINS IN OPERATED POSITION UNTIL RESET FOR
 AUTOMATIC RETURN BY NEXT FULL STROKE "PUSH" OPERATION



NOTE -
 1 - UNIT INCLUDES CAT. LIST. BZ-2RL711 BASIC SWITCH
 2 - NOTCH IN ACTUATOR ROD WILL PERMIT .035 DISPLACEMENT
 BETWEEN END OF ROD AND HOLE IN BRACKET

THIS DRAWING COVERS A PROPRIETARY ITEM AND IS THE PROPERTY OF MICRO SWITCH, A DIVISION OF MINNEAPOLIS-HONEYWELL REGULATOR CO. THIS DRAWING IS NOT TO BE COPIED OR USED WITHOUT THE APPROVAL OF MICRO SWITCH.

CHARACTERISTICS	ELECTRICAL DATA		SCALE FULL
TOTAL TRAVEL-.312 APPROX PUSH DIRECTION .312 APPROX PULL DIRECTION	CONTACT ARRANGEMENT S P D T	BREAK DISTANCE .020 MIN	DO NOT SCALE PRINT
FULLY DEPRESSED FORCE --- 3 1/2 LBS	15 A-125, 250 OR 480 VAC 1/2 A-125 VDC; 1/4 A-250 VDC		UNLESS OTHERWISE SPECIFIED DIMENSIONS ARE IN INCHES TOLERANCES ARE: ONE PLACE (.0) ±.030 TWO PLACE (.00) ±.015 THREE PLACE (.000) ±.005 ANGLES ±
			WEIGHT .190 LB