



BZ-2RL2-A2



Actual product appearance may vary.

BZ Series Standard Basic Switch, Single Pole Double Throw Circuitry, 15 A at 125 Vac, Roller Lever Actuator, 1,39 N [5 oz], Silver Contacts, Maximum Operating Force, Screw Termination, CE, CSA, DEMKO, UL

Features

- Accepted world-wide standard "Large Basic" switch
- Low operating force and differential travel
- Long mechanical life up to 20,000,000 cycles at 95% survival
- Elongated mounting hole for easier, more accurate mounting
- Current rating ranges from 15 A to 25 A
- Choice of actuation, termination and operating characteristics

Potential Applications

- Irrigation systems
- Semi-trailer trucks
- Timing devices
- Office equipment
- Test instruments
- Medical/dental equipment
- HVAC equipment
- Manually operated devices
- Valves

Description

MICRO SWITCH™ BZ/BA Series standard basic switches are used for simple or precision on/off application needs.

Product Specifications

Product Specifications	
Switch Type	MICRO SWITCH™ Standard 25,4 mm H x 17,8 mm W x 50,8 mm L [1.0 in H x 0.7 in W x 2.0 in L]
Sealed	No
Ampere Rating	15 A
Circuitry	Single Pole Double Throw (SPDT)
Actuator	Roller Lever
Termination	Screw
Operating Temperature Range	-55 °C to 85 °C [-67 °F to 185 °F]
Voltage	125 Vac
Approvals	CE, CSA, UL

Actuator Length	49,53 mm [1.950 in]
Contact Type	Silver
Operating Force (O.F.)	1,39 N [5.0 oz] max.
Release Force (R.F.)	0,14 N [0.5 oz] min.
Overtravel (O.T.)	1,52 mm [0.060 in] min.
Differential Travel (D.T.)	1,27 mm [0.050 in] max.
Operating Position (O.P.)	28,6 mm \pm 0,76 mm [1.125 in \pm 0.030 in]
Material	Plastic
Housing Material	General Purpose Phenolic
High Temperature	204 °C [400 °F]
CE mark	61058-1
UL File #	E12252
CSA File #	LR41370
Agency Approvals and Standards	1054
Mounting Screw Size	3,53 mm [0.139 in]
Mounting Centers	25,4 mm [1 in]
Maximum Tightening Torque	0,33 N m [3.0 in lb]
Weight	28,6 g [0.063 lb]
Package Height	24,1 mm [0.95 in]
Package Width	17,5 mm [0.69 in]
Package Length	49,3 mm [1.94 in]
Availability	Global
UNSPSC Code	30211905
UNSPSC Commodity	30211905 Snap switches
Series Name	BZ/BA/WA/YZ



MICRO SWITCH

FREEPORT, ILLINOIS, U.S.A.
A DIVISION OF HONEYWELL

FED. MFG. CODE 91929

SWITCH - BASIC

CATALOG LISTING

BZ - 2RL2 - A2

BZ-2RL2-A2
PAGE 1 OF 1

M

DRAWING NUMBER

ISSUE 6

REPLACES

RELEASE NO.

CHECK

REVISIONS

A	CO17410	G C H	27 APR 63
B	CO-73287-B	D H D	17 MAY 93
C	CO-75204B	K D R	1 FEB 94
D	CO-77589	K D R	29 MAR 94
E	CO93346	DLT	9 SEP 98

CHECK

22 MAY 63

L.S.D

CHECK

27 APRIL 63

CHECK

27 APRIL 63

CHECK

27 APRIL 63

CHECK

27 APRIL 63

CHECK

27 APRIL 63

CHECK

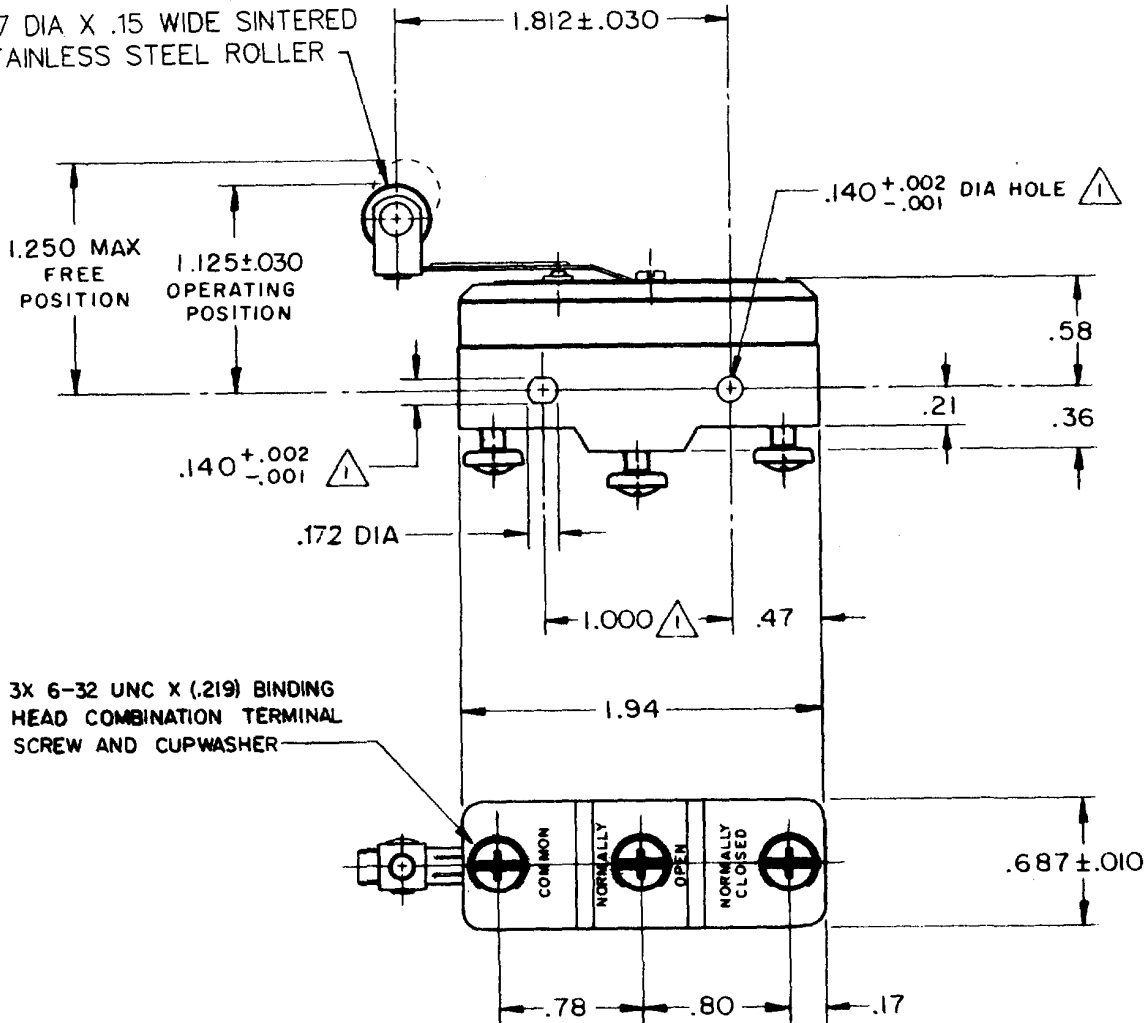
27 APRIL 63

CHECK

27 APRIL 63

CHECK

.37 DIA X .15 WIDE SINTERED STAINLESS STEEL ROLLER



3X 6-32 UNC X (.219) BINDING HEAD COMBINATION TERMINAL SCREW AND CUPWASHER

NOTES
 MOUNTING HOLES WILL ACCEPT PINS OR SCREWS OF .139 MAX DIA ON 1.000 ± .002 CENTERS

THIS DRAWING COVERS A PROPRIETARY ITEM AND IS THE PROPERTY OF MICRO SWITCH, A DIVISION OF MINNEAPOLIS-HONEYWELL REGULATOR CO. THIS DRAWING IS NOT TO BE COPIED OR USED WITHOUT THE APPROVAL OF MICRO SWITCH.

CHARACTERISTICS

OPERATING FORCE ----- 5 OZ MAX
 RELEASE FORCE ----- 1/2 OZ MIN
 DIFFERENTIAL TRAVEL ----- .050 MAX
 DO NOT OVERTRAVEL MORE THAN ----- .060

ELECTRICAL DATA

CONTACT ARRANGEMENT
S P D T

UNDERWRITERS' LAB. INC. LISTED RATING
 -L96- 15 A - 125, 250, OR 480 VAC
 1/2 A - 125 VDC; 1/4 A - 250 VDC
 1/8 HP - 125 VAC; 1/4 HP - 250 VAC

-L288-
-L299-
-L306-



16A 250V ~ T85 5E4

SCALE FULL

DO NOT SCALE PRINT

UNLESS OTHERWISE NOTED

DIMENSIONS ARE IN INCHES

TOLERANCES ARE:

ONE PLACE	(.0)	±.030
TWO PLACE	(.00)	±.015
THREE PLACE	(.000)	±.005
ANGLES		±

WEIGHT .073 LB

FORMTEK

FO-50376

DRAWN

G C H 27 APRIL 63