

**MICRO SWITCH**  
a Honeywell Division

FED. MFG. CODE 91929

**SWITCH-BASIC**

CATALOG LISTING

V7-1A27D8-207

CW-B0470

CATALOG LISTING  
V7-1A27D8-207  
RELEASE NO. PR-19258  
REPLACES

ISSUE  
**M**  
2

REVISIONS  
A CO-76440  
JWB  
30 NOV 93

CHECK

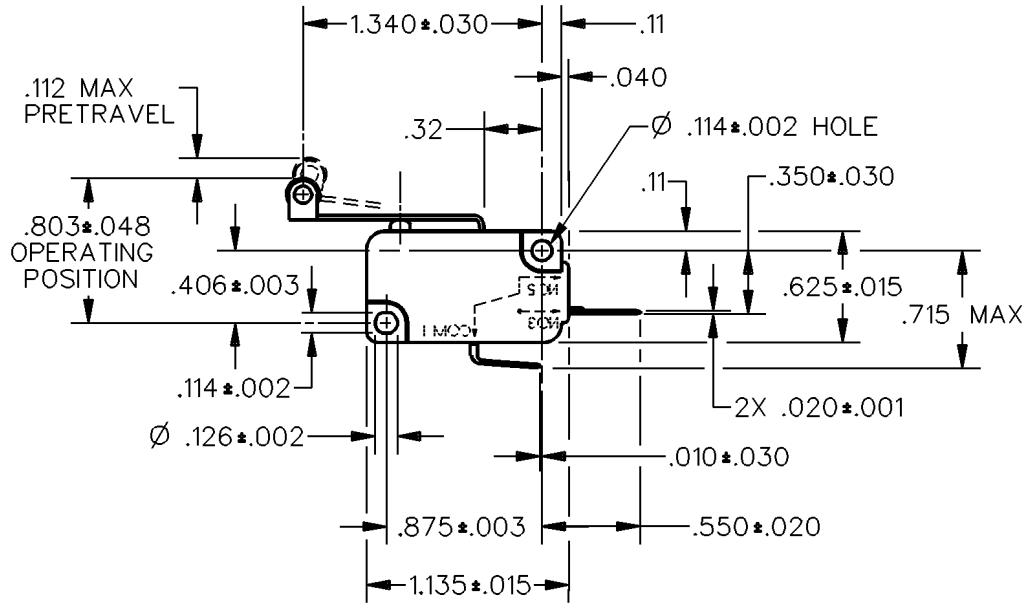
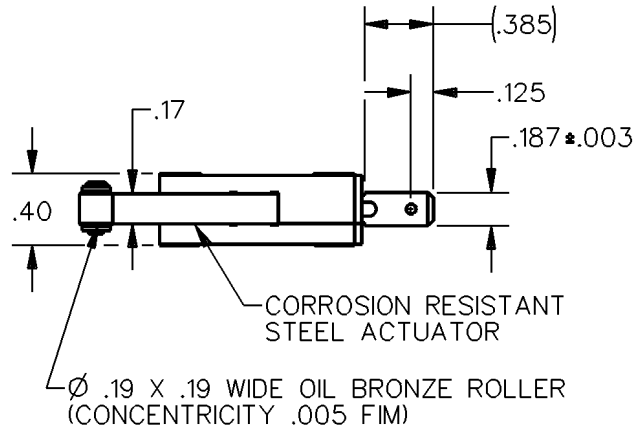
CHECK

4 JUN 91

D C S

J A L 24 MAY 91

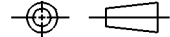
DDM/CAD  
DRAWN



ANSI Y14.5M-1982 APPLIES

THIS DRAWING COVERS A PROPRIETARY ITEM AND IS THE PROPERTY OF MICRO SWITCH, A DIVISION OF HONEYWELL. THIS DRAWING IS NOT TO BE COPIED OR USED WITHOUT THE APPROVAL OF MICRO SWITCH.

THIRD ANGLE PROJECTION



CHARACTERISTICS	ELECTRICAL DATA	SCALE FULL	DO NOT SCALE PRINT
OPERATING FORCE --- 86 GRAMS MAX	CONTACT ARRANGEMENT S P N O	UNLESS OTHERWISE SPECIFIED TOLERANCES ARE	ONE PLACE (.0) ± .030
RELEASE FORCE --- 9 GRAMS MIN	L162 5A 125, 250, 277 VAC 1/10HP 250 VAC		TWO PLACE (.00) ± .015
DIFFERENTIAL TRAVEL --- .025 MAX			THREE PLACE (.000) ± .005
OVERTRAVEL --- .064 MIN			ANGLES ±
RELEASE TRAVEL --- .016 MIN			WEIGHT

