



### BZE6-RNX1



**Enclosed Switches Series E6: Top Plunger Actuator; 1NC 1NO SPDT Maintained; 0.5 in - 14NPT conduit**

*Actual product appearance may vary.*

#### Features

- Side or flange mount
- Momentary or maintained contact
- Grounding screw
- High capacity (22 amp) available
- Temperature range -32 °C to +71 °C [-25 °F to +160 °F]
- Zinc Die-Cast housing NEMA 1
- UL Recognized, file #E12252
- CSA Certified, file #LR41372
- NEMA 1, 3, 4 /IP66
- Pre-leaded or connector termination options

#### Potential Applications

- Packaging equipment
- Special machinery
- Textile machinery
- Conveyors
- Construction machinery and equipment
- Printing trades machinery
- Overhead cranes and hoists

#### Description

MICRO SWITCH™ E6 (side mount) and V6 (flange mount) switches are offered with or without actuator seal boots. Both have a combination insulator/seal cemented inside the bottom enclosure. Lead washers are used to seal the mounting holes on side mount switches. All side mount switches are installed with #6 screws, except the BZE6-2RN7 (#8 screws). Removal of the bottom enclosure exposes the terminals for easy wiring.

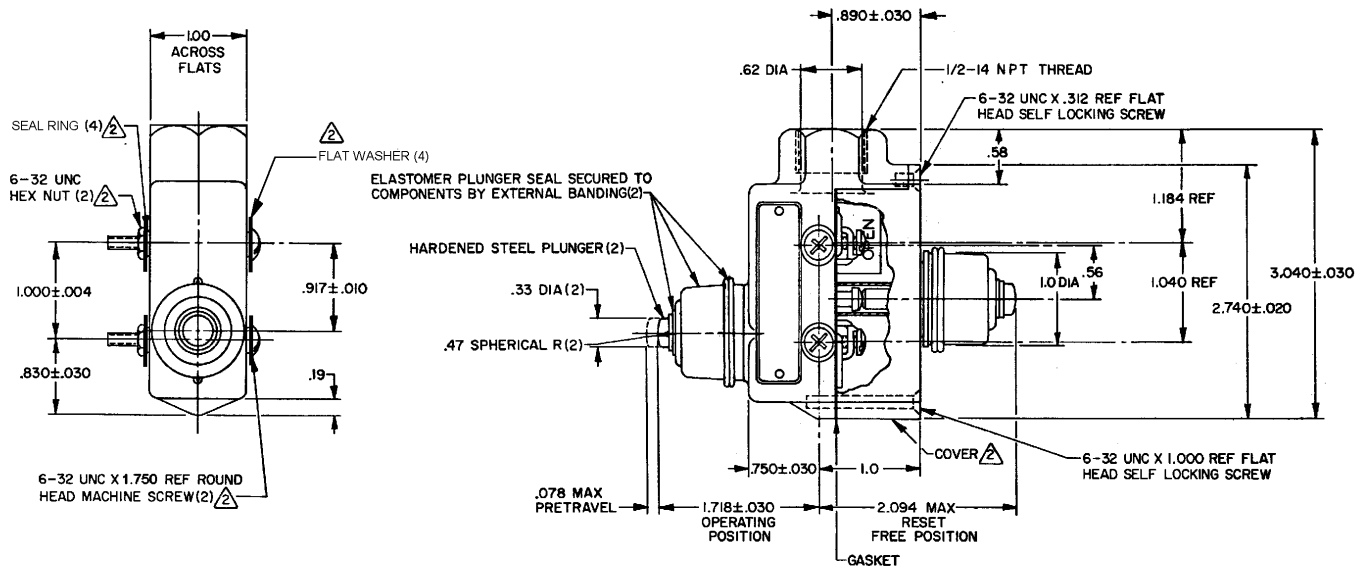
Product Specifications	
Availability	Global
Operating Force (O.F.)	1,67 N to 5,56 N [6 oz to 20 oz]
Pretravel (P.T.)	1,98 mm max. [0.078 in max.]
Overtravel (O.T.)	4,75 mm min. [0.187 in min.]
Product Type	Enclosed Switches
Actuator	Top Plunger
Circuitry	1NC 1NO SPDT Maintained
Ampere Rating	15 A Ind./0.5 A Res./0.25 A Res.
Supply Voltage	125 Vac, 250 Vac, 480 Vac/125 Vdc/250 Vdc
Housing Material	Zinc Die-Cast
Termination Type	0.5 in - 14NPT conduit
Housing Type	Split Housing, Side Mount
Series Name	E6/V6
Sealing	NEMA 1, 3, 4 /IP66
Approvals	UL recognized, CSA certified
CSA File #	LR41372
UL File #	E12252
Operating Temperature Range	-32 °C to 71 °C [-25 °F to 160 °F]
Comment	With seal boot on plunger
UNSPSC Code	302119
UNSPSC Commodity	302119 Switches and controls and relays
Sealed	Industrial

**MICRO SWITCH**  
 FREEPORT, ILLINOIS, U.S.A.  
 A DIVISION OF HONEYWELL  
 FED. MFG. CODE 9199

**SWITCH - ENCLOSED**

CATALOG LISTING  
**BZE6-RNX1**

BZE6-RNX1  
 DRAWING NUMBER  
 11  
 ISSUE  
 29AUG07  
 PSR  
 RELEASER NO.  
 REVISIONS  
 A 20 28000-8  
 B 23 AUG 77  
 C 005391-6  
 D 0055989  
 E 0055989  
 F 0055989  
 G 0055989  
 H 0055989  
 I 0055989  
 J 0055989  
 K 0055989  
 RASTER  
 PG-5883-A  
 DRAWN  
 T M M 23 AUG 77  
 CHECK  
 K F V P C  
 29AUG07



- NOTES-
- 1 - 6-32 UNC X .218 REF BINDING HEAD TERMINAL SCREW (3) FURNISHED UNASSEMBLED
  - 3 - SEAL RATING: NEMA1,3,4 IP66

THIS DRAWING COVERS A PROPRIETARY ITEM AND IS THE PROPERTY OF MICRO SWITCH, A DIVISION OF HONEYWELL. THIS DRAWING IS NOT TO BE COPIED OR USED WITHOUT THE APPROVAL OF MICRO SWITCH.

CHARACTERISTICS	ELECTRICAL DATA	SCALE FULL
OPERATING FORCE ——— 6-20 OZ	CONTACT ARRANGEMENT SPDT MAINTAINED CONTACT	DO NOT SCALE PRINT
OVERTRAVEL ——— .187 MIN	15A-125, 250 OR 480 VAC 1/4 HP-125 VAC; 1/2 HP-250 VAC 1/2A-125 VDC; 1/4A-250 VDC CODE L67	UNLESS OTHERWISE NOTED DIMENSIONS ARE IN INCHES TOLERANCES ARE: ONE PLACE (.01) 3.000 TWO PLACE (.005) 3.018 THREE PLACE (.000) 3.008 ANGLES 2
RESET CHARACTERISTICS	CE 1.5A, 240Vac	WEIGHT .70 LB
OPERATING FORCE ——— 6 OZ MIN		
BASIC SWITCH REPLACEMENT — BZ-RQX167		