

**MICRO SWITCH**  
a Honeywell Division  
FED. MFG. CODE 91225

**SWITCH - ENCLOSED**

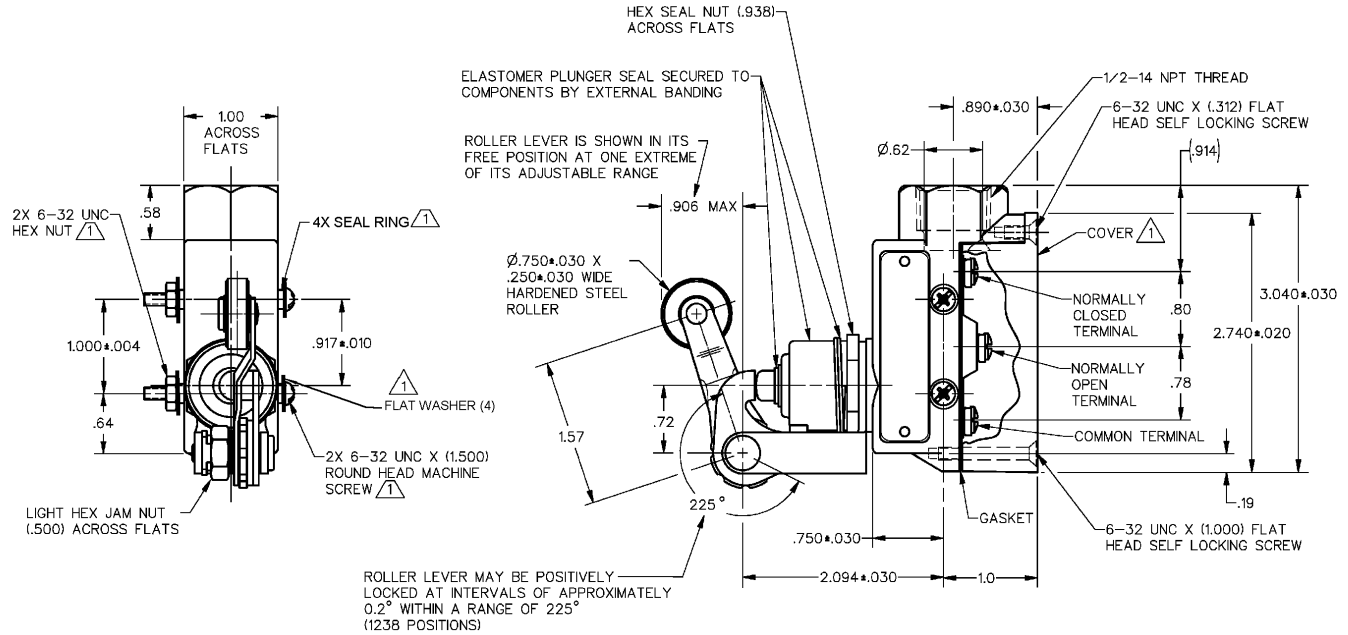
CATALOG LISTING  
**BZE6-2RN2**

CATALOG LISTING  
**BZE6-2RN2**

ISSUE  
**M**  
13

REVISIONS  
A 10/25/82  
B 11/20/82  
C 1/21/83  
D 1/27/84  
E 1/27/84  
F 1/27/84  
G 1/27/84  
H 1/27/84  
I 1/27/84  
J 1/27/84  
K 1/27/84  
L 1/27/84  
M 1/27/84  
N 1/27/84  
O 1/27/84  
P 1/27/84  
Q 1/27/84  
R 1/27/84  
S 1/27/84  
T 1/27/84  
U 1/27/84  
V 1/27/84  
W 1/27/84  
X 1/27/84  
Y 1/27/84  
Z 1/27/84

DDM/CAD  
DRAWN  
SAV 15 OCT 92  
CHECK  
BP 23 NOV 05



ROLLER LEVER MAY BE POSITIVELY LOCKED AT INTERVALS OF APPROXIMATELY 0.2° WITHIN A RANGE OF 225° (1238 POSITIONS)

- NOTE
- 1 - FURNISHED UNASSEMBLED
  - 2 - ROLLER LEVER BRACKET ASSEMBLY MAY BE SET AT ANY POSITION AROUND AXIS OF PLUNGER
  - 3 - 3X 6-32 UNC X (.219) BINDING TERMINAL SCREW AND CUPWASHER
  - 4 - SEAL RATING: NEMA 1,3 IP54

THIS DRAWING COVERS A PROPRIETARY ITEM AND IS THE PROPERTY OF MICRO SWITCH, A DIVISION OF HONEYWELL. THIS DRAWING IS NOT TO BE COPIED OR USED WITHOUT THE APPROVAL OF MICRO SWITCH

THIRD ANGLE PROJECTION	
SCALE FULL	
DO NOT SCALE PRINT	
UNLESS OTHERWISE SPECIFIED TOLERANCES ARE	
ONE PLACE (.01) ± .030	
TWO PLACE (.00) ± .015	
THREE PLACE (.000) ± .005	
ANGLES	±
WEIGHT .71 LB	

CHARACTERISTICS	ELECTRICAL DATA
OPERATING FORCE ———— 10-20 OZ	CONTACT ARRANGEMENT S P D T
RELEASE FORCE ———— 6 OZ MIN	L74 15A 125, 250 OR 480 VAC
PRETRAVEL ———— .188 MAX	2A 600 VAC
DIFFERENTIAL TRAVEL ———— .006 MAX	1/8HP 125 VAC, 1/4HP 250 VAC
OVERTRAVEL ———— .219 MIN	1/2A 125 VDC, 1/4A 250 VDC
BASIC SWITCH REPLACEMENT ———— BZ-2RN702	CE 1.5A, 240 Vac

ANSI Y14.5M-1982 APPLIES