



BAF1-2RN18-RH



Actual product appearance may vary.

**Enclosed Switches Series BAF/DTF:
Wobble Stick Actuator; 1NC 1NO SPDT
Snap Action; Actuator Position - Right**

Features

- Up to 20 ampere capacity
- Cast aluminum housing with three-hole mounting
- Right or left-handed (sealed or unsealed) actuators
- Cover seal, captive cover screws
- Momentary or maintained contact
- UL recognized, file #E12252
- CSA certified, file #LR41372
- Sealed to NEMA 1, 3, 4 and 13 requirements
- Grounding screw

Potential Applications

- Packaging equipment
- Special machinery
- Agricultural machinery
- Conveyors
- Overhead cranes and hoists

Description

The elastomer boot on sealed actuator versions protects the actuating mechanism and the internal basic switch from contaminants. There is a seal gasket between the cover plate and the enclosures on all versions. The cover plate is removed for ease of wiring and switch replacement without demounting the switch. The actuator position is designated "right" or "left," when looking at the nameplate.

Product Specifications

Availability	Global
Pretravel (P.T.)	15° max.
Product Type	Enclosed Switches
Actuator	Wobble - Coil Spring
Lever Style	-- No Lever --
Circuitry	1NC 1NO SPDT Snap Action
Ampere Rating	20 A Ind./0.5 A Res./0.25 A Res.
Supply Voltage	125 Vac, 250 Vac, 480 Vac/125 Vdc/250 Vdc

Housing Material	Aluminum Die-Cast
Termination Type	0.5 in - 14NPT conduit
Series Name	BAF/DTF
Sealing	NEMA 1, 3, 4, and 13
Approvals	UL recognized, CSA certified
CSA File #	LR41372
UL File #	E12252
Operating Temperature Range	-32 °C to 71 °C [-25 °F to 160 °F]
Comment	With seal boot on plunger; Right-hand actuator position
UNSPSC Code	302119
UNSPSC Commodity	302119 Switches and controls and relays
Sealed	Industrial

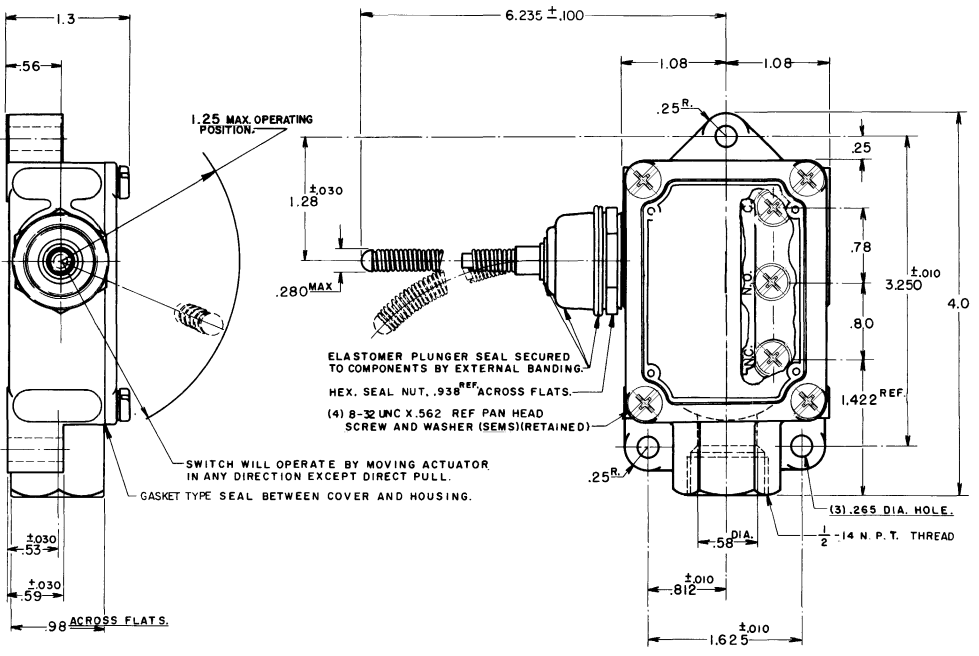
ISSUE 16
 REVISIONS
 A 7/23/74
 1 MAY 95
 DRAWN
 GUW
 11 MAY 95
 CHECKED
 JJA
 25 MAY 95
 CHECKED
 JJA
 25 MAY 95
 RELEASE NO. SR-5195
 REPLACES
 ISSUE 1
 SKETCH 13991
 ISSUE 1

MICRO SWITCH
 a Honeywell Division


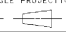
SWITCH-ENCLOSED

CATALOG LISTING
BAFI-2RNI8-RH
 (RIGHT HAND)

FED. MFG. CODE 91929



THIS DRAWING COVERS A PROPRIETARY ITEM AND IS THE PROPERTY OF MICRO SWITCH, A DIVISION OF HONEYWELL. THIS DRAWING IS NOT TO BE COPIED OR USED WITHOUT THE APPROVAL OF MICRO SWITCH.

CHARACTERISTICS OPERATING POSITION - - - - - 15° MAX BASIC SWITCH REPLACEMENT - -BA-2R708-P7	ELECTRICAL DATA CONTACT ARRANGEMENT S P D T L23 20A 125, 250 OR 480 VAC 10A 125 VAC "L" 1HP 125 VAC, 2HP 250 VAC 1/2A 125 VDC, 1/4A 250 VDC 	THIRD ANGLE PROJECTION  SCALE FULL DO NOT SCALE PRINT UNLESS OTHERWISE SPECIFIED TOLERANCES ARE ONE PLACE 1.01 ±.030 TWO PLACE 1.00 ±.015 THREE PLACE 1.000 ±.005 ANGLES ± WEIGHT
---	---	--

NOTE
 1 - 8-32 UNC X (.219) BINDER HEAD, COMBINATION, TERMINAL SCREWS AND CUPWASHERS