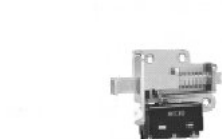




### 17AC1-T



**AC Series Door Switch, Single Pole Double Throw (SPDT), 250 Vac, 5 A, Plunger lever Actuator, Solder Termination**

*Actual product appearance may vary.*

#### Features

- Automatically cuts power when service door or drawer is opened
- Choice of momentary, maintained or pull-to-heat actuation
- Versatile mounting bracket for side or end mounting
- Current rating ranges from 5 A to 25 A
- Available with one or two SPDT switches
- UL recognized versions available
- Choice of termination

#### Potential Applications

- Appliances
- Vending machines
- Office equipment
- Computer/business equipment
- Test instruments
- Medical/dental equipment
- Communications equipment
- HVAC equipment

#### Description

MICRO SWITCH™ AC Series Door Switches are used for simple or precision on/off application needs. They enable circuit testing with POWER ON by manually pulling a rod actuator to the maintained-ON position. Closing the door resets the switch.

Product Specifications	
Switch Type	Door 30,0 mm H x 9,01 mm W x 42,9 mm L [1.182 in H x 0.355 in W x 1.69 in L]
Sealed	No
Ampere Rating	5 A
Circuitry	Single Pole Double Throw (SPDT)
Actuator	Plunger lever
Termination	Solder
Operating Temperature Range	-53 °C to 121 °C [-65 °F to 250 °F]
Voltage	250 Vac
Contact Type	Silver
Overtravel (O.T.)	4,47 mm [0.175 in] max.
Operating Position (O.P.)	5,59 mm [0.220 in] min.

Free Position (F.P.)	9,53 mm [0.375 in] max.
Housing Material	General Purpose Phenolic
High Temperature	121 °C [250 °F]
Mounting Screw Size	4-48 UNF-2B
Weight	7,46 g [0.020 lb]
Package Height	30,05 mm [1.183 in ] ref.
Package Width	42.9 mm [1.690 in] ref.
Package Length	9,02 mm [.355 in] ref.
Comment	Turret type solder terminals.
Availability	Global
UNSPSC Code	30211905
UNSPSC Commodity	30211905 Snap switches
Series Name	AC

# MICRO SWITCH

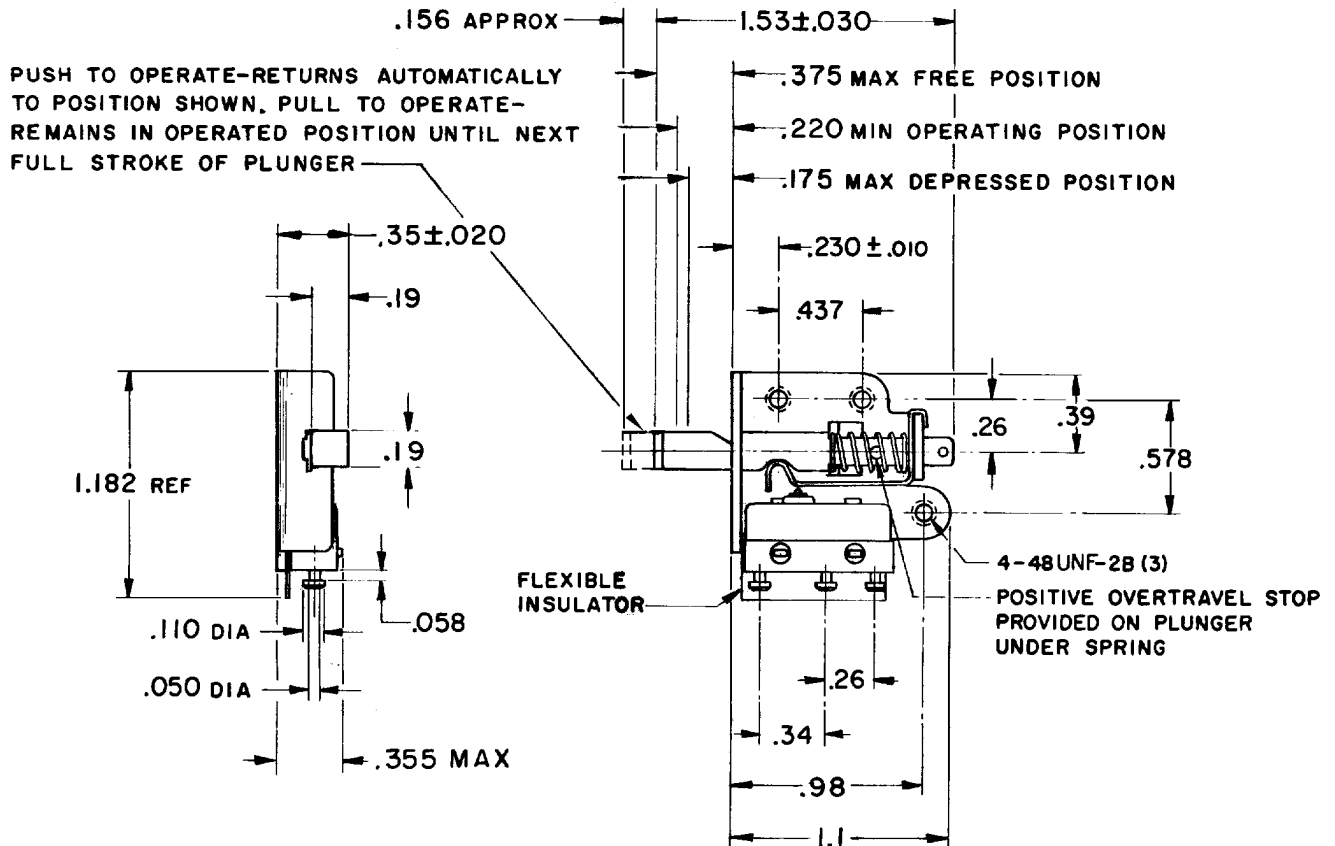
A DIVISION OF MINNEAPOLIS-HONEYWELL REGULATOR COMPANY  
FREEPORT, ILLINOIS

FED. MFR. CODE 91929

## ASSEMBLY - SWITCH

CATALOG LISTING

### 17ACI-T



**NOTE -**  
 1- UNIT INCLUDES CAT. LIST. IISMI -T BASIC SWITCH (1)  
 2-NOTCH IN ACTUATOR PLUNGER WILL PERMIT .045 MAX DISPLACEMENT BETWEEN END OF PLUNGER AND HOLE IN BRACKET

THIS DRAWING COVERS A PROPRIETARY ITEM AND IS THE PROPERTY OF MICRO SWITCH, A DIVISION OF MINNEAPOLIS-HONEYWELL REGULATOR CO. THIS DRAWING IS NOT TO BE COPIED OR USED WITHOUT THE APPROVAL OF MICRO SWITCH.

CHARACTERISTICS	ELECTRICAL DATA	SCALE FULL
TOTAL TRAVEL	CONTACT ARRANGEMENT S P D T	DO NOT SCALE PRINT
© .156 APPROX PUSH DIRECTION .156 APPROX PULL DIRECTION	250 VAC ----- 5 AMPS	UNLESS OTHERWISE SPECIFIED
FULL OVERTRAVEL FORCE -- 2 LBS APPROX	30 VOLTS DC RATING	DIMENSIONS ARE IN INCHES
	INDUCTIVE ----- SEA LEVEL ----- 3 AMPS 50,000 FT. ----- 2.5 AMPS	<b>TOLERANCES ARE:</b>
	RESISTIVE ----- SEA LEVEL ----- 5 AMPS 50,000 FT. ----- 5 AMPS	ONE PLACE (.0) ± .030 TWO PLACE (.00) ± .015 THREE PLACE (.000) ± .005 ANGLES ±
	MAXIMUM INRUSH ----- 24 AMPS	WEIGHT .02 LBS APPROX

**FORMTEK**

DRAWN

R. E. R 5 NOV 58

CHECK

GCH 24 NOV 58

CSL 11 SEP 96

R. E. R 19 JUN 68

H CO2376

ORD 27 FEB 68

G CO23756

L S D 12 SEP 61

F CO16231

L S D 24 AUG 61

E CO15981

O M W 2 FEB 60

D CORR

M B F 18 SEP 59

C CO14049

R E R 15 MAY 59

B CO13528

R E R 13 MAR 59

A CORR

REVISIONS

ISSUE 10

DRAWING NUMBER

M 17ACI-T

REPLACES

RELEASE NO. SR 7894