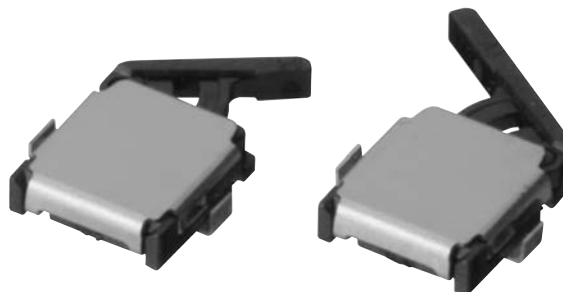


# Surface Mount Detection Switch D3SH

The smallest detection switch in the world. (OMRON's data as of June 2006.)

- Ultra small size and ultra low profile contributing to down-sizing of sets devices. (3.0 x 3.4 x 0.9 mm (W x D x H))
- A unique mechanism enables high contact reliability and high precision operation.
- Horizontal 2-way detection and long stroke for easy installation are available.
- Meet a variety of applications by contact and lever variations.



**NEW**

## Ordering Information

### Model Number Legend

D3SH-           
1 2 3

#### 1. Contact Form

- A: SPST-NO
- B: SPST-NC

#### 2. Boss for Positioning

- 0: without Boss
- 1: with Boss

#### 3. Lever and Direction of Operation

- R : Right operating with standard lever
- L : Left operating with standard lever
- R1: Right operating with long lever
- L1: Left operating with long lever

### List of Models

#### Standard Lever Models

Contact form	Direction of Operation	Boss of Positioning	Model	Packing form
SPST-NO	Right	With Boss	D3SH-A1R	Embossed tape packing (see note)
		Without Boss	D3SH-A0R	
	Left	With Boss	D3SH-A1L	
		Without Boss	D3SH-A0L	
SPST-NC	Right	With Boss	D3SH-B1R	Embossed tape packing (see note)
		Without Boss	D3SH-B0R	
	Left	With Boss	D3SH-B1L	
		Without Boss	D3SH-B0L	

Note: Minimum packing unit is 1,000 pcs./reel.

#### Long Lever Models

Contact form	Direction of Operation	Boss of Positioning	Model	Packing form
SPST-NO	Right	With Boss	D3SH-A1R1	Embossed tape packing (see note)
		Without Boss	D3SH-A0R1	
	Left	With Boss	D3SH-A1L1	
		Without Boss	D3SH-A0L1	
SPST-NC	Right	With Boss	D3SH-B1R1	Embossed tape packing (see note)
		Without Boss	D3SH-B0R1	
	Left	With Boss	D3SH-B1L1	
		Without Boss	D3SH-B0L1	

Note: Minimum packing unit is 1,000 pcs./reel.

# Specifications

## ■ Ratings

Rated voltage	Resistive load
5 VDC	1 mA

**Note:** The ratings values apply under the following test conditions:  
 Ambient temperature : 20± 2°C  
 Ambient humidity: 65± 5%  
 Operating frequency: 30 operations/min.

## ■ Characteristics

<b>Operating speed</b>	1 mm to 300 mm/s
<b>Operating frequency</b>	Mechanical: 20 operations/min max. Electrical: 20 operations/min max.
<b>Insulation resistance</b>	100 MΩ min. (at 100 VDC)
<b>Contact resistance (initial value)</b>	3Ω max.
<b>Dielectric strength</b>	100 VAC for 1 min between terminals of same polarity
<b>Vibration resistance (see note 2)</b>	Malfunction: 10 to 55 Hz, 1.5-mm double amplitude
<b>Shock resistance (see note 2)</b>	Destruction: 1000 m/s <sup>2</sup> {approx. 100 G} max. Malfunction: 300 m/s <sup>2</sup> {approx. 30 G} max.
<b>Durability (see note 3)</b>	Mechanical: 150,000 operations min. (20 operations/min.) Electrical: 100,000 operations min. (20 operations/min.)
<b>Ambient operating temperature</b>	-25°C to 85°C (at ambient humidity of 60% max.) (with no icing or condensation)
<b>Ambient operating humidity</b>	85% max. (for 5°C to 35°C)
<b>Weight</b>	Approx. 0.02 g

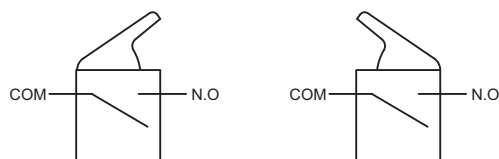
**Note:** 1. The data given above are initial values.  
 2. The values apply at the total travel position. Contact opening or closing time is within 1ms.  
 3. For testing conditions, consult your OMRON sales representative.

## ■ Contact Specifications

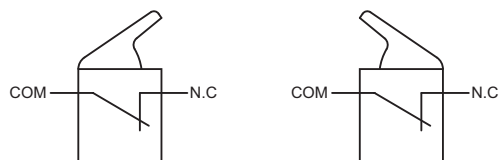
Contact Specification	Slide
Minimum applicable load	15 μ A at 3 VDC

## ■ Contact form

### SPST-NO



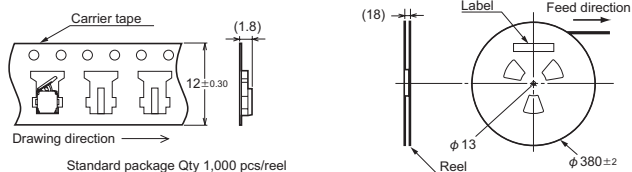
### SPST-NC



**Note:** The cover connects with COM terminal inside.

# Dimensions

## ■ Packaging Specifications



<b>Standards</b>	Conforms to JEITA
<b>Package</b>	Qty 1,000 pcs/reel

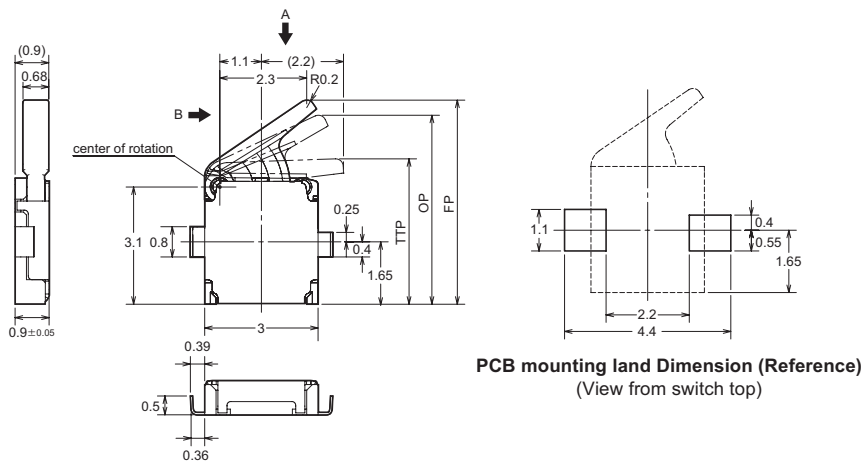
## ■ Dimensions and Operating Characteristics

- Note:**
1. All units are in millimeters unless otherwise indicated.
  2. Unless otherwise specified, a tolerance of ±0.15 mm applies to all dimensions.
  3. The operating characteristics are for operation in the A direction (↓) and B direction (→, ←).

### Standard Lever Models

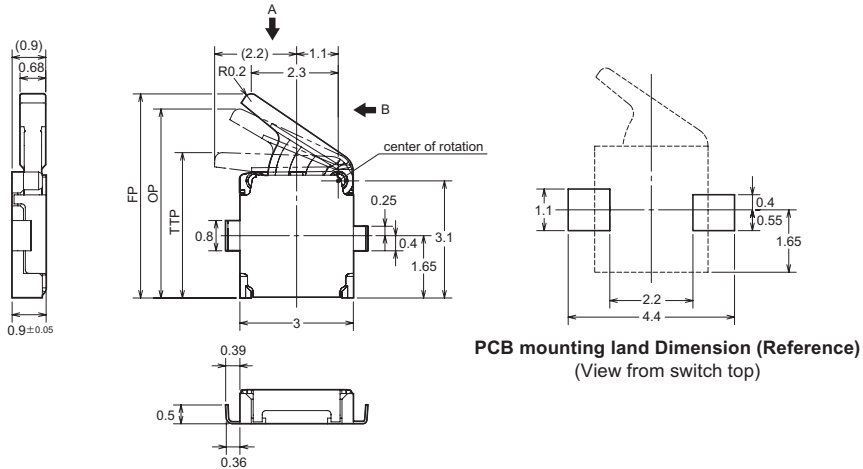
Model	D3SH-□□R D3SH-□□L
Operating force (OF) max.	0.3 N {31 gf}
Free position (FP)	5.4 ± 0.2 mm
Operating position (OP)	5.0 ± 0.2 mm
Total travel position (TTP)	3.8 ± 0.15 mm

### Right operating – without Boss D3SH-□0R

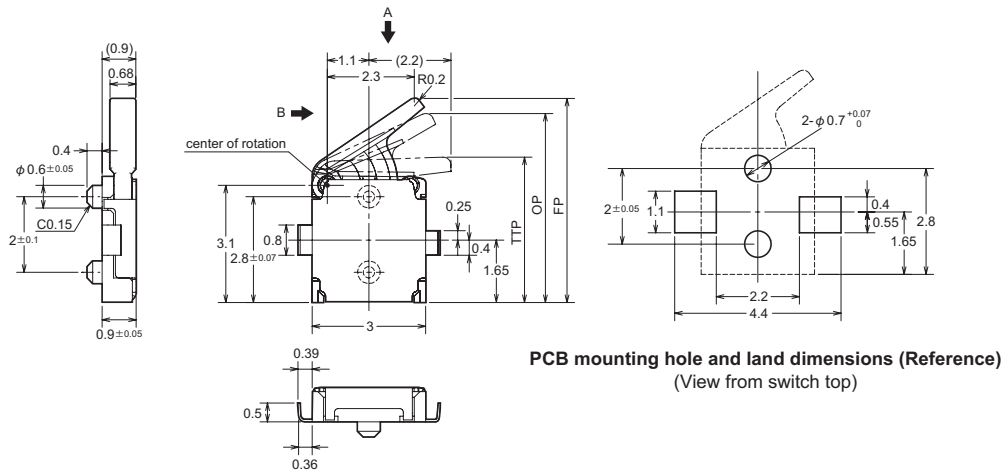


PCB mounting land Dimension (Reference)  
(View from switch top)

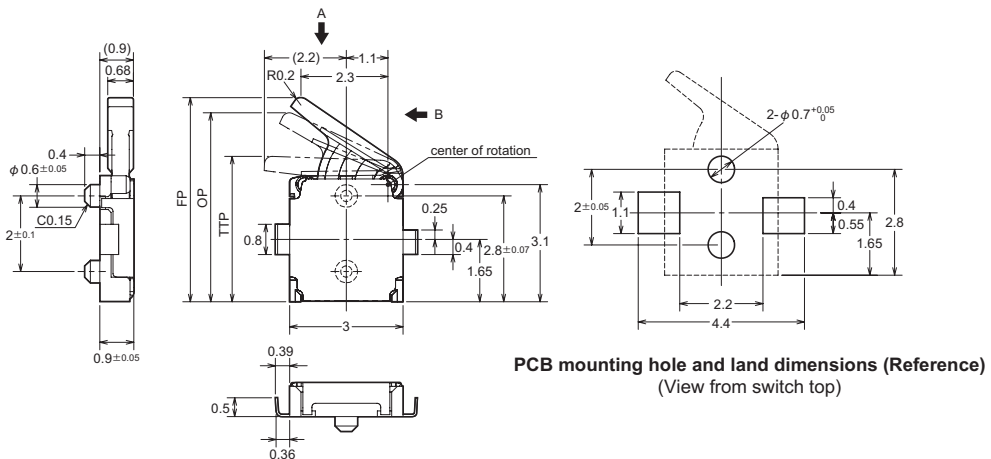
**Left operating – without Boss**  
**D3SH-□0L**



**Right operating – with Boss**  
**D3SH-□1R**



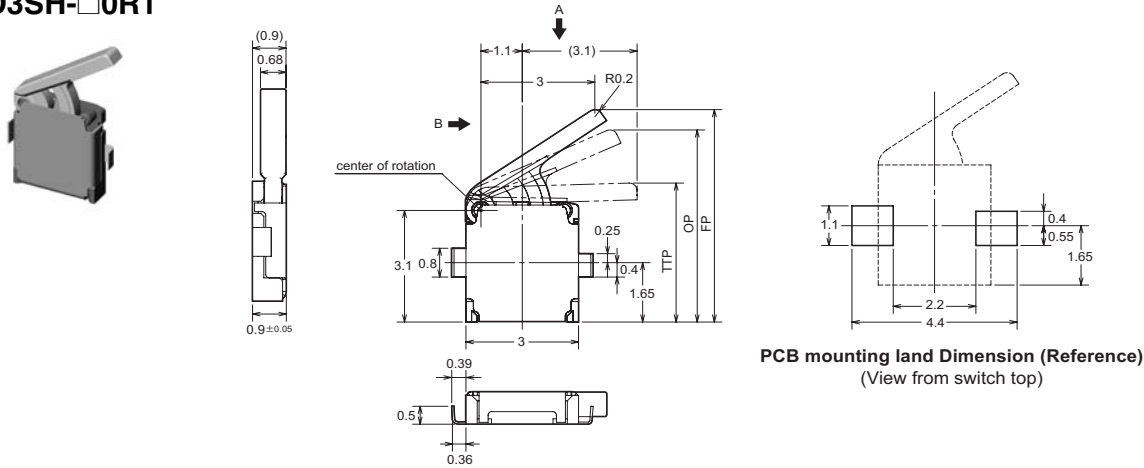
**Left operating – with Boss**  
**D3SH-□1L**



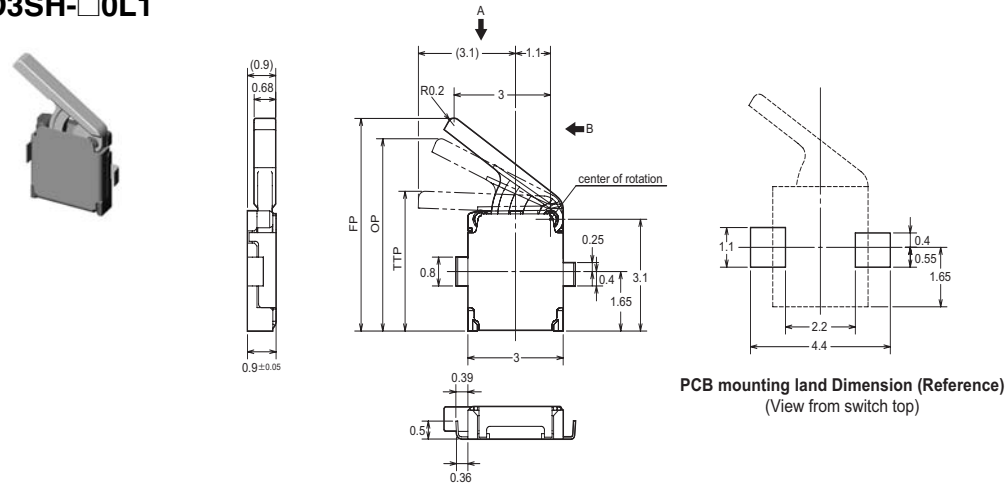
**Long Lever Models**

Model	D3SH-□□R1 D3SH-□□L1
Operating force (OF) max.	0.24N {24 gf}
Free position (FP)	5.9 ± 0.3 mm
Operating position (OP)	5.4 ± 0.3 mm
Total travel position (TTP)	3.8 ± 0.2 mm

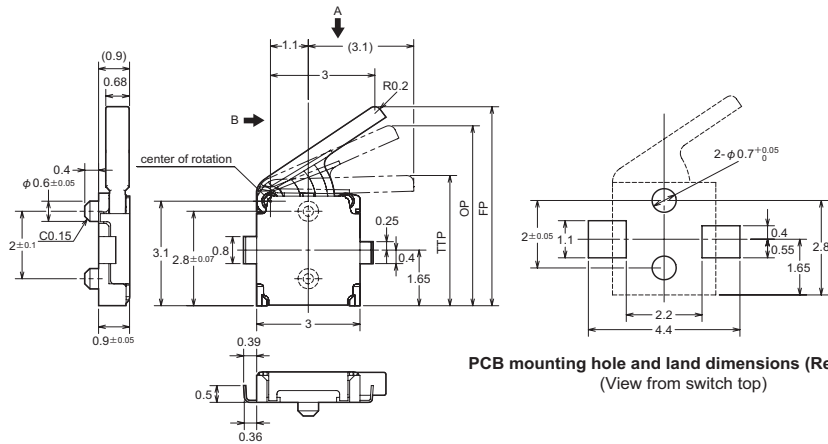
**Right operating – without Boss  
D3SH-□0R1**



**Left operating – without Boss  
D3SH-□0L1**

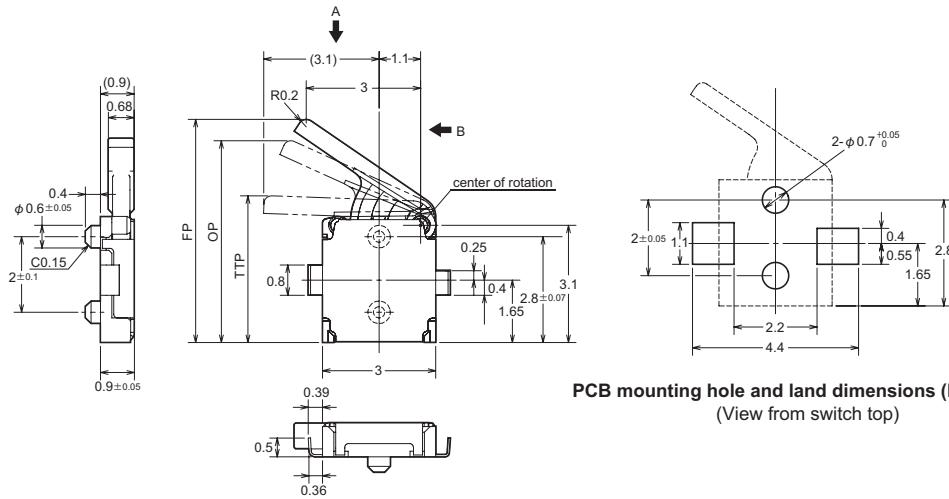


**Right operating – with Boss**  
**D3SH-□1R1**



PCB mounting hole and land dimensions (Reference)  
 (View from switch top)

**Left operating – with Boss**  
**D3SH-□1L1**



PCB mounting hole and land dimensions (Reference)  
 (View from switch top)

# Precautions

## ■ Caution

### Electrical Ratings

Confirm the contact load in order to select an appropriate switch rating.

Do not apply an excessive electrical load to the contacts, otherwise the contacts may weld, resulting in a short circuit or burning.

### Terminal Connection

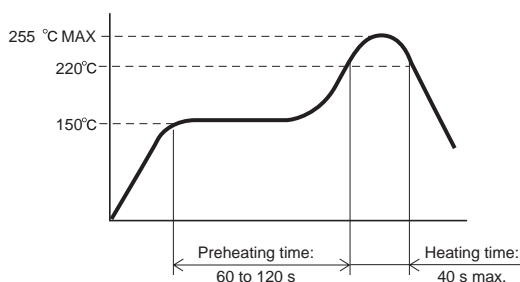
Do not use flow soldering or hand soldering to solder terminals.

Conduct reflow soldering within the range shown in the terminal temperature profile below. Some reflow soldering devices have extremely high peak values. Do a test in advance to confirm proper soldering conditions.

Do not conduct reflow soldering more than twice. Also provide a time interval of at least five minutes between the first and second reflow soldering processes to allow the Switch to return to room temperature. Heating the Switch continuously (without an interval) may cause the edges of the Switch to melt and degrade the characteristics.

When printing for a screen solder process, a 0.13-mm screen thickness is recommended.

Be sure to provide local ventilation.



### Printed Circuit Boards

Special attention must be paid to the handling of printed circuit boards after a Switch has been mounted onto them. Airborne PCB particles may penetrate the interior of the Switch when printed circuit boards are separated by cutting. Also, do not stack printed circuit boards that have Switches mounted on them.

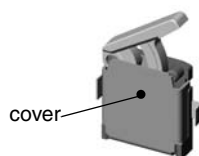
### Product Specification Details

This document provides only a partial list of specifications. It is recommended that you request complete drawings and specifications prior to purchasing or using the product.

## ■ Correct Use

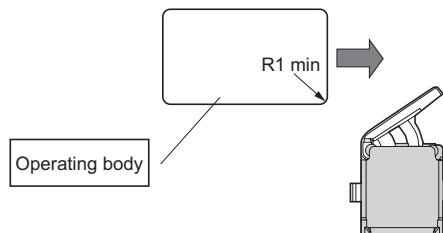
### Mounting

The cover has the same electrical potential as the COM terminal. Do not short-circuit the cover with a NO or NC terminal when mounting the cover.



Be careful of the following points. Incorrect handling may lead to insufficient actuator return, Switch damage, or reduced durability.

- Set the operating body in line with the direction of the actuator movement, and make sure that the operating body is completely separate from the actuator when the Switch is in the free position (FP). When the actuator is operated from the crosswise direction of the Switch, make sure that the corner of the operating body has a minimum radius of R1.



- Set the Switch stroke to 70% to 100% of the overtravel (the difference between the operating position and the total travel position).
- Do not subject the Switch to operations that involve strong impact.
- Do not use the Switch as a stopper.
- Do not apply excessive loads to the cover or operate the actuator from a direction other than a specified operating direction.
- Do not use an adhesive to secure the Switch.

A lubricant is used in the Switch. Some of the lubricant may seep out because the Switch does not have an airtight construction. Consider this possibility with respect to the usage conditions when designing or using the Switch.

### Application Environment

Do not use the Switch in locations that are subject to toxic gas, silicon, excessive dust, excessive dirt, high temperatures, high humidity, sudden temperature changes, water splashes, or oil splashes. Otherwise, damage resulting by faulty contact of the Switch contacts, corrosion, or other causes, or other functional faults may occur.

### Insulation and Wiring

Be sure that the installation conditions provide a sufficient insulation distance between Switch terminals and other metal parts, lands, etc.

### Cleaning

The Switch does not have an airtight construction, and it must not be cleaned with cleaning fluids. Malfunctions may occur if the cleaning fluid penetrates the interior of the Switch together with flux or foreign matter from the surface of the PCB.

### Confirmation with Actual Equipment

Be sure to confirm the quality of the product under the load and environmental conditions that will be used during actual applications.

## ■ RoHS Directive Compliance

Models that are indicated as being RoHS compliant are free of the following six substances.

Lead	: 1,000 ppm max.
Mercury	: 1,000 ppm max.
Cadmium	: 100 ppm max.
Hexavalent chromium	: 1,000 ppm max.
PBB	: 1,000 ppm max.
PBDE	: 1,000 ppm max.

# Omron Electronic Components, LLC

## Terms and Conditions of Sales

### I. GENERAL

- Definitions:** The words used herein are defined as follows.
  - Terms:** These terms and conditions
  - Seller:** Omron Electronic Components LLC and its subsidiaries
  - Buyer:** The buyer of Products, including any end user in section III through VI
  - Products:** Products and/or services of Seller
  - Including:** Including without limitation
- Offer/Acceptance:** These Terms are deemed part of all quotations, acknowledgments, invoices, purchase orders and other documents, whether electronic or in writing, relating to the sale of Products by Seller. Seller hereby objects to any Terms proposed in Buyer's purchase order or other documents which are inconsistent with, or in addition to, these Terms.
- Distributor:** Any distributor shall inform its customer of the contents after and including section III of these Terms.

### II. SALES

- Prices/Payment:** All prices stated are current, subject to change without notice by Seller. Buyer agrees to pay the price in effect at time of shipment. Payments for Products received are due net 30 days unless otherwise stated in the invoice. Buyer shall have no right to set off any amounts against the amount owing in respect of this invoice.
- Discounts:** Cash discounts, if any, will apply only on the net amount of invoices sent to Buyer after deducting transportation charges, taxes and duties, and will be allowed only if (a) the invoice is paid according to Seller's payment terms and (b) Buyer has no past due amounts owing to Seller.
- Interest:** Seller, at its option, may charge Buyer 1.5% interest per month or the maximum legal rate, whichever is less, on any balance not paid within the stated terms.
- Orders:** Seller will accept no order less than 200 U.S. dollars net billing.
- Currencies:** If the prices quoted herein are in a currency other than U.S. dollars, Buyer shall make remittance to Seller at the then current exchange rate most favorable to Seller; provided that if remittance is not made when due, Buyer will convert the amount to U.S. dollars at the then current exchange rate most favorable to Seller available during the period between the due date and the date remittance is actually made.
- Governmental Approvals:** Buyer shall be responsible for all costs involved in obtaining any government approvals regarding the importation or sale of the Products.
- Taxes:** All taxes, duties and other governmental charges (other than general real property and income taxes), including any interest or penalties thereon, imposed directly or indirectly on Seller or required to be collected directly or indirectly by Seller for the manufacture, production, sale, delivery, importation, consumption or use of the Products sold hereunder (including customs duties and sales, excise, use, turnover and license taxes) shall be charged to and remitted by Buyer to Seller.
- Financial:** If the financial position of Buyer at any time becomes unsatisfactory to Seller, Seller reserves the right to stop shipments or require satisfactory security or payment in advance. If Buyer fails to make payment or otherwise comply with these Terms or any related agreement, Seller may (without liability and in addition to other remedies) cancel any unshipped portion of Products sold hereunder and stop any Products in transit until Buyer pays all amounts, including amounts payable hereunder, whether or not then due, which are owing to it by Buyer. Buyer shall in any event remain liable for all unpaid accounts.
- Cancellation/ Etc:** Orders are not subject to rescheduling or cancellation unless Buyer indemnifies Seller fully against all costs or expenses arising in connection therewith.
- Force Majeure:** Seller shall not be liable for any delay or failure in delivery resulting from causes beyond its control, including earthquakes, fires, floods, strikes or other labor disputes, shortage of labor or materials, accidents to machinery, acts of sabotage, riots, delay in or lack of transportation or the requirements of any government authority.
- Shipping/ Delivery:** Unless otherwise expressly agreed in writing by Seller:
  - All sales and shipments of Products shall be FOB shipping point (unless otherwise stated in writing by Seller), at which point title to and all risk of loss of the Products shall pass from Seller to Buyer, provided that Seller shall retain a security interest in the Products until the full purchase price is paid by Buyer;
  - Delivery and shipping dates are estimates only; and
  - Seller will package Products as it deems proper for protection against normal handling and extra charges apply to special conditions.
- Claims:** Any claim by Buyer against Seller for shortage or damage to the Products occurring before delivery to the carrier must be presented in detail in writing to Seller within 30 days of receipt of shipment.

### III. PRECAUTIONS

- Suitability:** IT IS THE BUYER'S SOLE RESPONSIBILITY TO ENSURE THAT ANY OMRON PRODUCT IS FIT AND SUFFICIENT FOR USE IN A MOTORIZED VEHICLE APPLICATION. BUYER SHALL BE SOLELY RESPONSIBLE FOR DETERMINING APPROPRIATENESS OF THE PARTICULAR PRODUCT WITH RESPECT TO THE BUYER'S APPLICATION INCLUDING (A) ELECTRICAL OR ELECTRONIC COMPONENTS, (B) CIRCUITS, (C) SYSTEM ASSEMBLIES, (D) END PRODUCT, (E) SYSTEM, (F) MATERIALS OR SUBSTANCES OR (G) OPERATING ENVIRONMENT. Buyer acknowledges that it alone has determined that the Products will meet their requirements of the intended use in all cases. Buyer must know and observe all prohibitions of use applicable to the Products/s.
- Use with Attention:** The followings are some examples of applications for which particular attention must be given. This is not intended to be an exhaustive list of all possible use of any Product, nor to imply that any use listed may be suitable for any Product:
  - Outdoor use, use involving potential chemical contamination or electrical interference.
  - Use in consumer Products or any use in significant quantities.

- Energy control systems, combustion systems, railroad systems, aviation systems, medical equipment, amusement machines, vehicles, safety equipment, and installations subject to separate industry or government regulations.
  - Systems, machines, and equipment that could present a risk to life or property.
- Prohibited Use:** NEVER USE THE PRODUCT FOR AN APPLICATION INVOLVING SERIOUS RISK TO LIFE OR PROPERTY WITHOUT ENSURING THAT THE SYSTEM AS A WHOLE HAS BEEN DESIGNED TO ADDRESS THE RISKS, AND THAT THE PRODUCT IS PROPERLY RATED AND INSTALLED FOR THE INTENDED USE WITHIN THE OVERALL EQUIPMENT OR SYSTEM.
  - Motorized Vehicle Application:** USE OF ANY PRODUCT/S FOR A MOTORIZED VEHICLE APPLICATION MUST BE EXPRESSLY STATED IN THE SPECIFICATION BY SELLER.
  - Programmable Products:** Seller shall not be responsible for the Buyer's programming of a programmable Product.

### IV. WARRANTY AND LIMITATION

- Warranty:** Seller's exclusive warranty is that the Products will be free from defects in materials and workmanship for a period of twelve months from the date of sale by Seller (or such other period expressed in writing by Seller). SELLER MAKES NO WARRANTY OR REPRESENTATION, EXPRESS OR IMPLIED, ABOUT ALL OTHER WARRANTIES, NON-INFRINGEMENT, MERCHANTABILITY OR FITNESS FOR A PARTICULAR PURPOSE OF THE PRODUCTS.
- Buyer Remedy:** Seller's sole obligation hereunder shall be to replace (in the form originally shipped with Buyer responsible for labor charges for removal or replacement thereof) the non-complying Product or, at Seller's election, to repay or credit Buyer an amount equal to the purchase price of the Product; provided that there shall be no liability for Seller or its affiliates unless Seller's analysis confirms that the Products were handled, stored, installed and maintained and not subject to contamination, abuse, misuse or inappropriate modification. Return of any Products by Buyer must be approved in writing by Seller before shipment.
- Limitation on Liability:** SELLER AND ITS AFFILIATES SHALL NOT BE LIABLE FOR SPECIAL, INDIRECT, INCIDENTAL OR CONSEQUENTIAL DAMAGES, LOSS OF PROFITS OR PRODUCTION OR COMMERCIAL LOSS IN ANY WAY CONNECTED WITH THE PRODUCTS, WHETHER SUCH CLAIM IS BASED IN CONTRACT, WARRANTY, NEGLIGENCE OR STRICT LIABILITY. FURTHER, IN NO EVENT SHALL LIABILITY OF SELLER OR ITS AFFILIATES EXCEED THE INDIVIDUAL PRICE OF THE PRODUCT ON WHICH LIABILITY IS ASSERTED.
- Indemnities:** Buyer shall indemnify and hold harmless Seller, its affiliates and its employees from and against all liabilities, losses, claims, costs and expenses (including attorney's fees and expenses) related to any claim, investigation, litigation or proceeding (whether or not Seller is a party) which arises or is alleged to arise from Buyer's acts or omissions under these Terms or in any way with respect to the Products.

### V. INFORMATION; ETC.

- Intellectual Property:** The intellectual property embodied in the Products is the exclusive property of Seller and its affiliates and Buyer shall not attempt to duplicate it in any way without the written permission of Seller. Buyer (at its own expense) shall indemnify and hold harmless Seller and defend or settle any action brought against Seller to the extent that it is based on a claim that any Product made to Buyer specifications infringed intellectual property rights of another party.
- Property/ Confidentiality:** Notwithstanding any charges to Buyer for engineering or tooling, all engineering and tooling shall remain the exclusive property of Seller. All information and materials supplied by Seller to Buyer relating to the Products are confidential and proprietary, and Buyer shall limit distribution thereof to its trusted employees and strictly prevent disclosure to any third party.
- Performance Data:** Performance data is provided as a guide in determining suitability and does not constitute a warranty. It may represent the result of Seller's test conditions, and the users must correlate it to actual application requirements.
- Change In Specifications:** Product specifications and description may be changed at any time based on improvements or other reasons. It is Seller's practice to change part numbers when published ratings or features are changed, or when significant engineering changes are made. However, some specifications of the Product may be changed without any notice.
- Errors And Omissions:** The information on Seller's website or in other documentation has been carefully checked and is believed to be accurate; however, no responsibility is assumed for clerical, typographical or proofreading errors or omissions.
- Export Controls:** Buyer shall comply with all applicable laws, regulations and licenses regarding (a) export of the Products or information provided by Seller; (b) sale of Products to forbidden or other proscribed persons or organizations; (c) disclosure to non-citizens of regulated technology or information.

### VI. MISCELLANEOUS

- Waiver:** No failure or delay by Seller in exercising any right and no course of dealing between Buyer and Seller shall operate as a waiver of rights by Seller.
- Assignment:** Buyer may not assign its rights hereunder without Seller's written consent.
- Law:** These Terms are governed by Illinois law (without regard to conflict of laws). Federal and state courts in Illinois have exclusive jurisdiction for any dispute hereunder.
- Amendment:** These Terms constitute the entire agreement between Buyer and Seller relating to the Products, and no provision may be changed or waived unless in writing signed by the parties.
- Severability:** If any provision hereof is rendered ineffective or invalid, such provision shall not invalidate any other provision.



## Certain Precautions on Specifications and Use

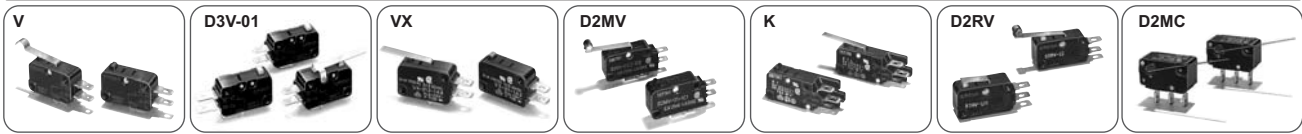
---

1. **Suitability for Use.** Seller shall not be responsible for conformity with any standards, codes or regulations which apply to the combination of the Product in Buyer's application or use of the Product. At Buyer's request, Seller will provide applicable third party certification documents identifying ratings and limitations of use which apply to the Product. This information by itself is not sufficient for a complete determination of the suitability of the Product in combination with the end product, machine, system, or other application or use. Buyer shall be solely responsible for determining appropriateness of the particular Product with respect to Buyer's application, product or system. Buyer shall take application responsibility in all cases but the following is a non-exhaustive list of applications for which particular attention must be given:
  - (i) Outdoor use, uses involving potential chemical contamination or electrical interference, or conditions or uses not described in this document.
  - (ii) Energy control systems, combustion systems, railroad systems, aviation systems, medical equipment, amusement machines, vehicles, safety equipment, and installations subject to separate industry or government regulations.
  - (iii) Use in consumer products or any use in significant quantities.
  - (iv) Systems, machines and equipment that could present a risk to life or property. Please know and observe all prohibitions of use applicable to this product.

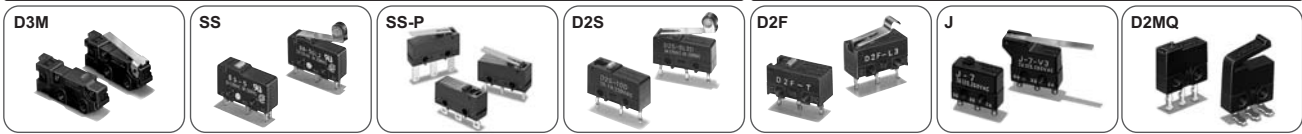
NEVER USE THE PRODUCT FOR AN APPLICATION INVOLVING SERIOUS RISK TO LIFE OR PROPERTY WITHOUT ENSURING THAT THE SYSTEM AS A WHOLE HAS BEEN DESIGNED TO ADDRESS THE RISKS, AND THAT THE OMRON PRODUCT IS PROPERLY RATED AND INSTALLED FOR THE INTENDED USE WITHIN THE OVERALL EQUIPMENT OR SYSTEM.
2. **Programmable Products.** Seller shall not be responsible for the user's programming of a programmable product, or any consequence thereof.
3. **Performance Data.** Performance data given in this publication is provided as a guide for the user in determining suitability and does not constitute a warranty. It may represent the result of Seller's test conditions, and the users must correlate it to actual application requirements. Actual performance is subject to Seller's Warranty and Limitations of Liability.
4. **Change in Specifications.** Product specifications and accessories may be changed at any time based on improvements and other reasons. It is our practice to change part numbers when published ratings or features are changed, or when significant construction changes are made. However, some specifications of the Product may be changed without any notice. When in doubt, special part numbers may be assigned to fix or establish key specifications for your application. Please consult with your Seller representative at any time to confirm actual specifications of purchased Product.
5. **Errors and Omissions.** The information in this publication has been carefully checked and is believed to be accurate; however, no responsibility is assumed for clerical, typographical or proofreading errors, or omissions.
6. **RoHS Compliance.** Where indicated, our products currently comply, to the best of our knowledge as of the date of this publication, with the requirements of the European Union's Directive on the Restriction of certain Hazardous Substances ("RoHS"), although the requirements of RoHS do not take effect until July 2006. These requirements may be subject to change. Please consult our website for current information.

# OMRON Switches for Integration in Machinery

## Miniature Basic Switches (V-size)



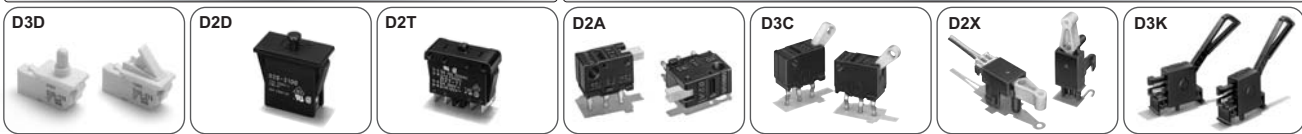
<b>Subminiature Basic Switches (S-size)</b>	<b>Ultra Subminiature Switches (J-size)</b>
---	---



## Sealed Basic Switches



<b>Door Switches</b>	<b>Miniature Detection Switches</b>
----------------------	-------------------------------------



## Surface Mount Detection Switch



Complete "Terms and Conditions of Sale" for product purchase and use are on Omron's website at <http://www.components.omron.com> – under the "About Us" tab, in the Legal Matters section.

**ALL DIMENSIONS SHOWN ARE IN MILLIMETERS.**  
To convert millimeters into inches, multiply by 0.03937. To convert grams into ounces, multiply by 0.03527.



**OMRON ELECTRONIC COMPONENTS LLC**  
55 E. Commerce Drive, Suite B  
Schaumburg, IL 60173  
**847-882-2288**

**OMRON ON-LINE**

Global - <http://www.omron.com>  
USA - <http://www.components.omron.com>