

# MICRO SWITCH

A DIVISION OF MINNEAPOLIS-HONEYWELL REGULATORS COMPANY

FED. MFR. CODE/91929

# SWITCH - BASIC

CATALOG LISTING  
**BA-2RV-A2**

**ABN7500**

BA-2RV-A2  
ISSUE 3

REPLACES

RELEASE NO.

CHECK

RJ

CHECK

DLT

G J W

TSG

15 DEC 61

5 JAN 62

5 JAN 62

15 DEC 61

15 DEC 61

15 DEC 61

15 DEC 61

15 DEC 61

15 DEC 61

15 DEC 61

15 DEC 61

15 DEC 61

**M** BA-2RV-A2  
PAGE 1 OF 1

DRAWING NUMBER

ISSUE

10

18 JAN 06

18 JAN 06

21 APR 75

22 NOV 93

8 JUN 94

26 AUG 98

204782

0018387

18 JAN 06

18 JAN 06

18 JAN 06

18 JAN 06

18 JAN 06

18 JAN 06

18 JAN 06

18 JAN 06

18 JAN 06

18 JAN 06

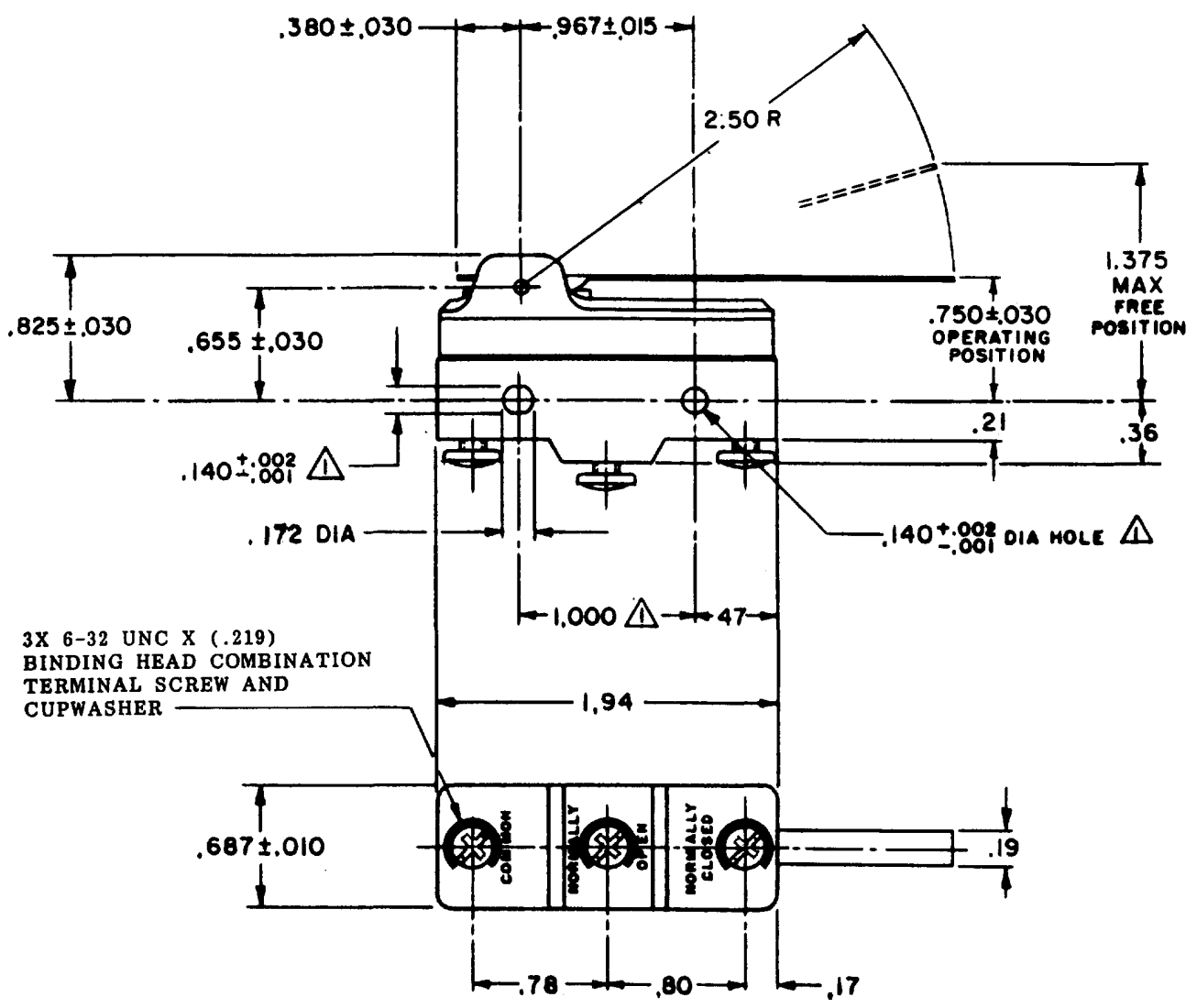
18 JAN 06

18 JAN 06

18 JAN 06

18 JAN 06

18 JAN 06



**NOTE**  
 ▲ - MOUNTING HOLES WILL ACCEPT PINS OR SCREWS OF .139 MAX DIA ON 1.000 ± .002 CENTERS

THIS DRAWING COVERS A PROPRIETARY ITEM AND IS THE PROPERTY OF MICRO SWITCH, A DIVISION OF MINNEAPOLIS-HONEYWELL REGULATORS CO. THIS DRAWING IS NOT TO BE COPIED OR USED WITHOUT THE APPROVAL OF MICRO SWITCH.

CHARACTERISTICS		ELECTRICAL DATA		SCALE --- FULL
OPERATING FORCE ----- 2 1/2 OZ MAX		CONTACT ARRANGEMENT S P D T		DO NOT SCALE PRINT
RELEASE FORCE ----- 1/2 OZ MIN		L23      20A - 125, 250 OR 480 VAC 10A - 125 VAC "L" L288     1HP - 125 VAC, 2HP - 250 VAC L308     1/2A - 125 VDC, 1/4A - 250 VDC L315 		UNLESS OTHERWISE SPECIFIED DIMENSIONS ARE IN INCHES <b>TOLERANCES ARE:</b> ONE PLACE (.0) ±.050 TWO PLACE (.00) ±.015 THREE PLACE (.000) ±.008 ANGLES ±
PRETRAVEL ----- .625 MAX				
DIFFERENTIAL TRAVEL ----- .109 MAX				
OVERTRAVEL ----- .078 MIN				
		20(3)A 250V ~ T85 5E4		WEIGHT

RASTER  
GCH  
0-50378  
DRAWN