



### GLCA01A1B



*Actual product appearance may vary.*

**Global Limit Switches Series GLS: Side Rotary With Roller - Standard, 1NC 1NO SPDT Snap Action, 0.5 in - 14NPT conduit**

#### Features

- Designed to IEC standard for world-wide applications
- UL, CSA, and CE
- International conduit sizes
- Direct PLC interface compatible (two circuit)
- Modular construction reduces maintenance parts costs
- Designed for ease of installation
- Variety of basic switch versions
- Wide choice of actuators

#### Potential Applications

- Machine tools: metal fabrication equipment, presses, transfer lines and special machinery
- Material handling equipment: conveyors, elevators, cranes, and hoists
- Packaging machinery and process equipment
- Textile machinery
- Construction machinery and equipment, vehicles and lift trucks

#### Description

The GLS series limit switches are specifically designed for world-wide applications and are supported by Honeywell global resources for sale and after sale service.

Product Specifications	
Availability	Global
Operating Force (O.F.)	0,120 N m [1.10 in lb]
Pretravel (P.T.)	26°
Overtravel (O.T.)	49°
Differential Travel (D.T.)	11.5°
Product Type	EN50041/47 Global Limit Switch
Actuator	Side Rotary
Lever Style	Roller - Standard
Circuitry	1NC 1NO SPDT Snap Action
Ampere Rating	10 A (Thermal)
Supply Voltage	300 Vac and 250 Vdc max.

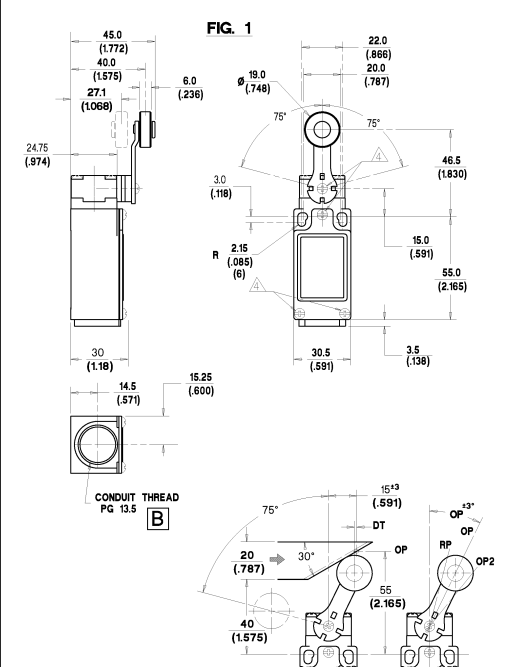
Housing Material	Zinc Die-Cast
Termination Type	0.5 in - 14NPT conduit
Housing Type	EN 50047
Series Name	GLS MIN-DIN
Shock	50 g per IEC 68-2-27c (w/o Actuator)
Vibration	10 g per IEC 68-2-6 (w/o Actuator)
Sealing	NEMA 1, 4, 12, 13 IP66
Approvals	UL, CSA, CE
CSA File #	LR94369-3
UL File #	E37138 & E157416
Mechanical Life	10 million
Operating Temperature Range	-40 °C to 85 °C [-40 °F to 185 °F]
Comment	Roller Material: Steel
Agency Approvals and Standards	IEC 947-5-1, EN60947-5-1, UL508
UNSPSC Code	302119
UNSPSC Commodity	302119 Switches and controls and relays
Sealed	Industrial
Operating Position (O.P.)	26°

MTG-GL-167

REV. NO. 1  
 DATE 11/12/86  
 BY J. BOYD

REVISIONS:  
 01/19/96  
 02/18/96  
 07/12/96  
 01/09/93  
 01/17/97  
 02/02/09  
 01/19/97  
 02/02/06  
 01/27/98  
 02/02/98  
 02/02/98  
 01/03/98  
 01/03/98

HomeWell	LIMIT SWITCH	CATALOGUE LISTING					CONTACT BLOCK DIAGRAM TERMINAL DESIGNATION TO EN 50013
		GLS					
		FORM NO.					
		MTG-GL-167					



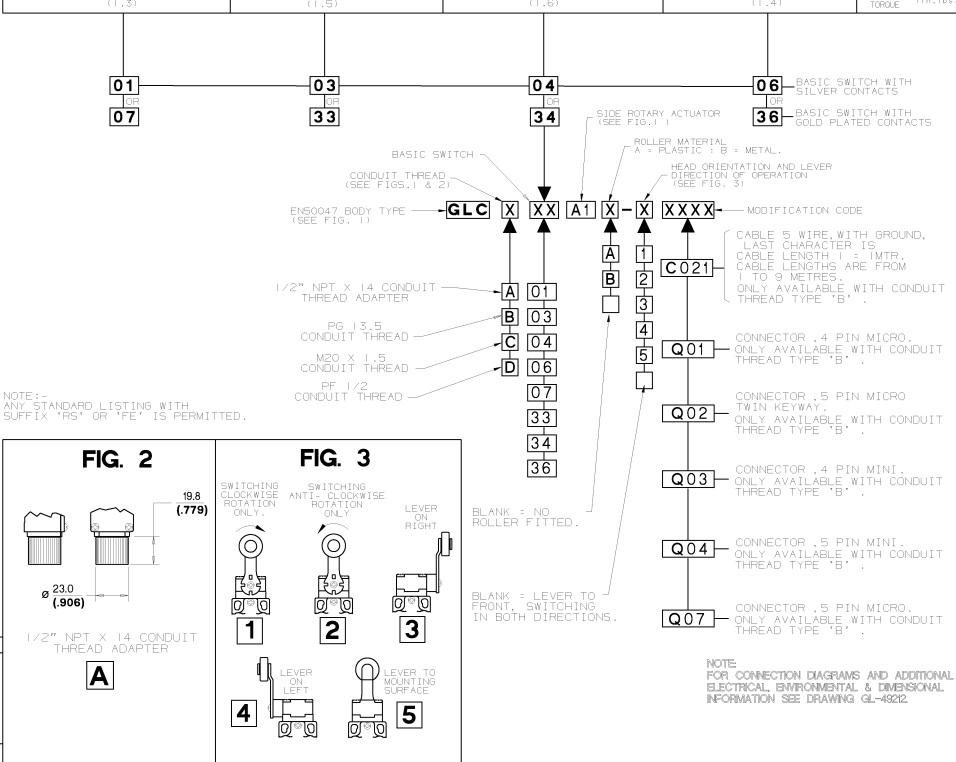
**NOTES:-**

- ZINC DIECAST BODY AND HEAD WITH STEEL COVER. BODY AND COVER FINISHED IN MICRO SWITCH BLUE EPOXY PAINT, HEAD FINISHED IN BLACK EPOXY PAINT.
- MINIMUM SWITCH VELOCITY ( $V_{min}$ ) : 2.0 MM/S  
 MAXIMUM OPERATING VELOCITY ( $V_{max}$ ) : 200 MM/S  
 MAXIMUM OPERATING FREQUENCY ( $f_{max}$ ) : 250 OPS/MIN
- FREE POSITION (FP), OPERATING POINT (OP), OVERTRAVEL (OT) AND PRETRAVEL (PT) ALL TO EN50047.
- MAXIMUM TIGHTENING TORQUE FOR FIXING SCREW : 0.5Nm (4.4in.LB)

NO CHANGES CAN BE MADE TO THIS DRAWING WITHOUT JOINT NEWHOUSE/FREEMONT APPROVAL.

STANDARD SILVER CONTACTS	GOLD PLATED CONTACTS	ENVIRONMENTAL	APPROVALS
ELECTRICAL RATINGS	ELECTRICAL RATINGS		
AC	DC		
A300 AC 15	O300 DC 15	IP66 NEMA 1, 4, 12, 13	  IEC 947-5-1 EN50047
14	14	TEMP RANGE : -25°F TO 85°F STORAGE : -40°F TO 95°F -40°F TO 195°F	
VOLTS AMPS	VOLTS AMPS	SHOCK : 50G PER IEC 68-2-27 VIBRATION : 10G PER IEC 68-2-6	
120 6	125 0.5E		
240 5	250 0.12		
		SCALE : DIMENSIONS ARE IN MM/INCHES.	
		MODIFY ON CAD SYSTEM ONLY	

<p>SNAP-ACTION CONTACTS</p> <p>21-22 13-14</p> <p>21 22</p> <p>21 22</p> <p>13 14</p> <p>FP - 0°          OP - 25°          DT - 115°</p> <p>OP - 25°          + 54°          RP = 145°          OT - 6° to 75°</p>	<p>SLOW-ACTION CONTACTS (BREAK BEFORE MAKE)</p> <p>21 22</p> <p>13 14</p> <p>21 22</p> <p>13 14</p> <p>FP - 0°          OP = 22°          + 24°          OP2 = 36°          OT = 6° to 75°</p>	<p>SLOW-ACTION CONTACTS (MAKE BEFORE BREAK)</p> <p>21 22</p> <p>13 14</p> <p>21 22</p> <p>13 14</p> <p>FP - 0°          OP = 26°          + 50.5°          OP2 = 39°          OT = 6° to 75°</p>	<p>SLOW-ACTION CONTACTS (2 NORMALLY CLOSED)</p> <p>11 12</p> <p>21 22</p> <p>21 22</p> <p>11 12</p> <p>FP - 0°          OP = 26°          + 46.6°          OT = 6° to 75°</p>
120 (1.1)	110 (1.0)	110 (1.0)	110 (1.0)
140 (1.3)	160 (1.5)	170 (1.5)	150 (1.4)



<p>EN50047 BODY TYPE (SEE FIG. 1)</p> <p>CONDUIT THREAD (SEE FIGS. 1 &amp; 2)</p> <p>ROLLER MATERIAL A = PLASTIC ; B = METAL.</p> <p>HEAD ORIENTATION AND LEVER DIRECTION OF OPERATION (SEE FIG. 3)</p> <p>MODIFICATION CODE</p> <p>CABLE 5 WIRE WITH GROUND, CABLE LENGTH 1 = 1MTR, CABLE LENGTHS ARE FROM 1 TO 9 METRES. ONLY AVAILABLE WITH CONDUIT THREAD TYPE 'B'.</p> <p>CONNECTOR, 4 PIN MICRO, ONLY AVAILABLE WITH CONDUIT THREAD TYPE 'B'.</p> <p>CONNECTOR, 5 PIN MICRO TWIN KEYWAY, ONLY AVAILABLE WITH CONDUIT THREAD TYPE 'B'.</p> <p>CONNECTOR, 4 PIN MINI, ONLY AVAILABLE WITH CONDUIT THREAD TYPE 'B'.</p> <p>CONNECTOR, 5 PIN MINI, ONLY AVAILABLE WITH CONDUIT THREAD TYPE 'B'.</p> <p>CONNECTOR, 5 PIN MICRO, ONLY AVAILABLE WITH CONDUIT THREAD TYPE 'B'.</p>	<p>01</p> <p>07</p> <p>03</p> <p>33</p> <p>04</p> <p>34</p> <p>06</p> <p>36</p> <p>A</p> <p>B</p> <p>C</p> <p>D</p> <p>1</p> <p>2</p> <p>3</p> <p>4</p> <p>5</p> <p>C021</p> <p>Q01</p> <p>Q02</p> <p>Q03</p> <p>Q04</p> <p>Q07</p>
---	---

NOTE FOR CONNECTION DIAGRAMS AND ADDITIONAL ELECTRICAL, ENVIRONMENTAL & DIMENSIONAL INFORMATION SEE DRAWING GL-4822.