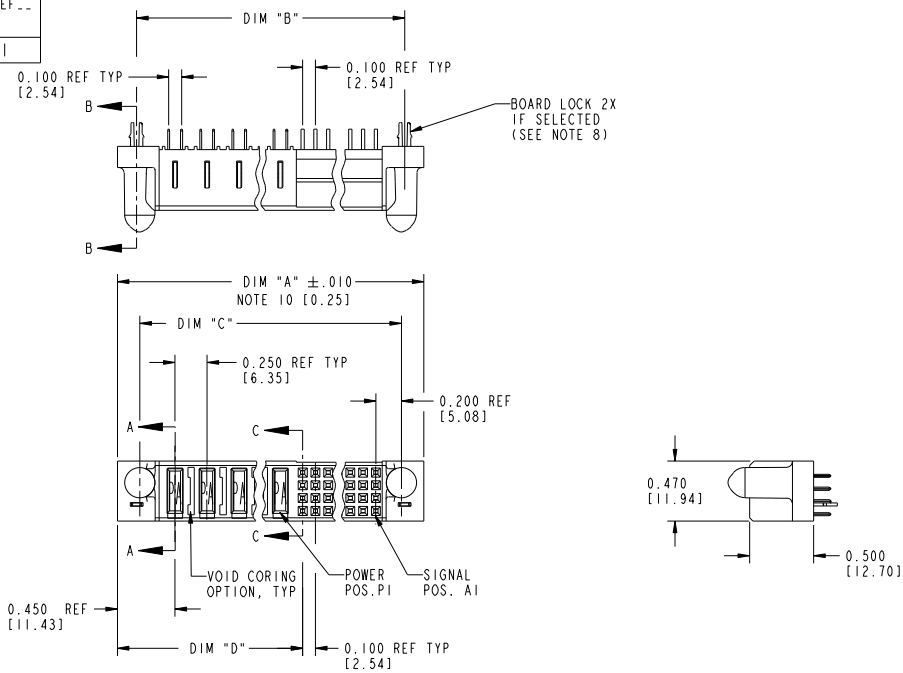


Tous droits strictement réservés. Reproduction ou communication à des tiers interdite sans autorisation écrite du propriétaire. Property of FCI. Droits de reproduction FCI.



All rights strictly reserved. Reproduction or issue to third parties in any form or by any means without written authority from the proprietor. Property of FCI. Copyright FCI.

PRODUCT NUMBER
51741-A00CCDDEF... NOTE 1
SEE NOTE 1



mat'l code	SEE NOTE 2	tolerances unless otherwise specified	CUSTOMER	www.fciconnect.com			
itr	ecn no.	dr	date		linear .XX±.01/0.X±0.3 .XXX±.005/0.XX±0.13 angles 0°±2°		
H	DG05-0076	SW	04/11/05	projection	title	VERTICAL RECEPTACLE W/ GUIDE PIN SIGNAL / POWER	
J	DG05-0153	SJ	06/09/05	INCH/MM	product family		PWRBLADE
K	DG05-0479	CS	11/18/05	scale	size	dwg no	213
L	DG08-0239	JC	09/11/08	1:1	A	51741	1 of 3
engr	J. BROWN	05-24-99					
chr	J. BROWN	05-24-99					
appd	J. BROWN	05-26-99					

sheet index	revision sheet	L	L	L																
		1	2	3																

Pro/E

code code 22526

Tous droits strictement réservés. Reproduction ou communication à des tiers interdite sans la permission écrite du propriétaire. Property of FCJ. Droit de reproduction FCJ.



All rights strictly reserved. Reproduction or issue to third parties in any form or by any means without written authority from the proprietor. Property of FCJ. Copyright FCJ.

PRODUCT NUMBER	51741-A00CCDDEF... NOTE 1
SEE NOTE 1	

DIM	LENGTH FORMULAS (SEE NOTE 10)
DIM "A"	.250 [6.35] x DD + .100 [2.54] x (CCC/4) + .650 [16.51] (NOTE 10)
DIM "B"	.250 [6.35] x DD + .100 [2.54] x (CCC/4) + .350 [8.89]
DIM "C"	.250 [6.35] x DD + .100 [2.54] x (CCC/4) + .300 [7.62]
DIM "D"	.250 [6.35] x DD + .375 [9.53]
DIM "F"	.250 [6.35] x DD + .100 [2.54] x (CCC/4) + .680 [17.27]
DIM "G"	.250 [6.35] x DD + .225 [5.72]

CONNECTOR NOTES

- PRODUCT NUMBER CODE:
51741 - A 00 CCC DD E F LF
 - NO THIS SUFFIX: 100u"/72.54um SnPb ON PCB INTERFACE
 - ADD THIS SUFFIX: 78u"/2.00um Sn ON PCB INTERFACE
 - RETENTION TO PCB (NOTE 8)
 - TAIL OPTIONS (NOTE 7)
 - NUMBER OF LEFT END POWER CONTACTS (NOTE 6)
 - NUMBER OF SIGNAL CONTACTS (NOTE 5)
 - ALWAYS "00" (ZERO, ZERO) (NOTE 4)
 - PLATING (NOTE 3)
 - BASE NUMBER
- HOUSING MATERIAL: GLASS FILLED V-O HIGH TEMP THERMO PLASTIC.
SIGNAL CONTACT MATERIAL: COPPER ALLOY
POWER CONTACT MATERIAL: COPPER ALLOY
- PLATING OPTION:
1 = SEE PRINT 10064183 FOR PLATING SPEC OF 51741-100CCDDEF; 51741-100CCDDEF LF
- THIS PART NOT AVAILABLE WITH RIGHT SIDE POWER CONTACTS.
- SIGNAL CONTACTS, 004 TO 148 AVAILABLE.
- LEFT END POWER CONTACTS, 01 TO 20 AVAILABLE.
MAXIMUM OF 20 POWER CONTACTS PER CONNECTOR.
- TAIL OPTIONS:
A - .135±.010 [3.43±.25] SOLDER TO BOARD
C - .135±.010 [3.43±.25] PRESS FIT

- RETENTION TO PCB OPTIONS:
A = BOARD LOCK (REQUIRES .098 + .002, -.001 [2.49 +0.05, -0.03] THRU HOLE IN PCB)
BOARD LOCK TO BE USED IN CONJUNCTION WITH AN .092 PCB OR THICKER.
C = NO RETENTION FEATURE (ALL PRESS FIT).
 - MANUFACTURE'S NAME, P/N, AND DATE CODE TO APPEAR ON THIS SURFACE.
 - THE MAXIMUM OVERALL LENGTH (DIM A) OF A PART IS 8.00 [203.2].
 - PRODUCT SPECIFICATION GS-12-149.
 - REFERENCE 51698 FOR SPECIALS WORKSHEET.
- PCB NOTES:
- ALL DIMENSIONS ARE BASIC UNLESS OTHERWISE SPECIFIED.
 - ALL THROUGH HOLES ARE LOCATED WITH A TRUE POSITION OF .004 [0.01]
 - ALL HOLE DIAMETERS ARE FINISHED HOLE SIZE.
 - 0.0453±.001 [1.151±.02] DRILLED HOLES PLATED WITH 0.0003 [0.007] MIN SnPb OVER 0.001 [1.03] TO .003 [0.08] PLATING TO ACHIEVE A .040 ±.003 [1.02 ±.08] HOLE.
 - A Δ SYMBOL WILL BE NEXT TO ANY DIMENSION, VIEW, OR NOTE WHICH HAS BEEN MODIFIED WITH THE CURRENT DRAWING REVISION.

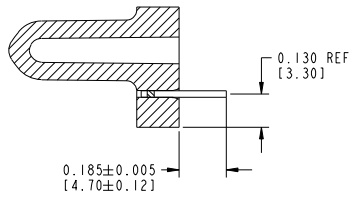
mal'1 code		SEE NOTE 2	tolerances unless otherwise specified	CUSTOMER	FCJ	www.fcjconnect.com
ltr	ecm no.	dr	date	COPY	title	
L				projection	VERTICAL RECEPTACLE W/ GUIDE PIN SIGNAL / POWER	
				linear .XX±.01/0.XX±0.3	product family PWRBLADE code 213	
				angles .XXX±.005/0.XX±0.13	size dwg no 51741 sheet 2	
				dr D. EATON 05-25-99	scale 1:1	
				engr J. BROWN 05-24-99	A	
				chr J. BROWN 05-26-99		
				appd J. BROWN 05-26-99		
sheet index	revision sheet			cage code 22526		

Tous droits strictement réservés. Reproduction ou communication à des tiers interdite sans autorisation écrite du propriétaire. Property of FCJ. Droit de reproduction FCJ.

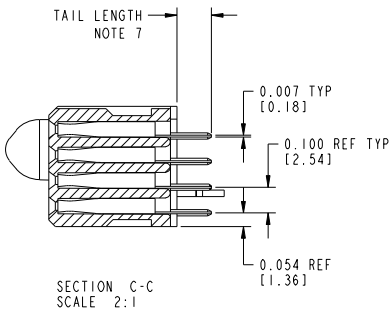


All rights strictly reserved. Reproduction or issue to third parties in any form or by any means without written authority from the proprietor. Property of FCJ. Copyright FCJ.

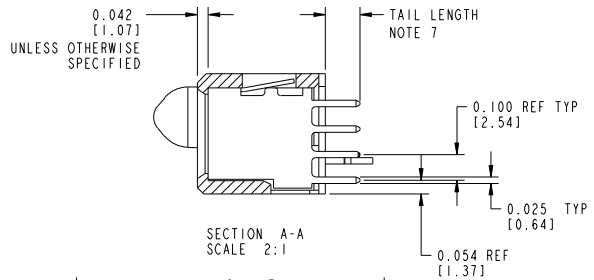
PRODUCT NUMBER
51741-A00CCDDEF... NOTE ①
SEE NOTE 1



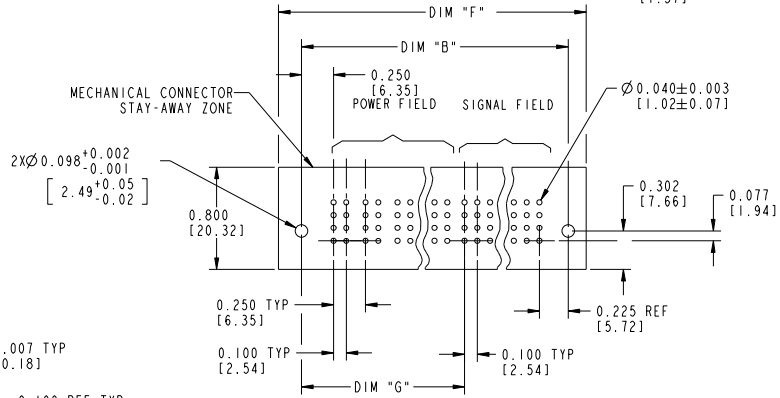
SECTION B-B
SCALE 2:1



SECTION C-C
SCALE 2:1



SECTION A-A
SCALE 2:1



RECOMMENDED PCB LAYOUT

mal'1 code		SEE NOTE 2	tolerances unless otherwise specified	CUSTOMER	www.fcjconnect.com
lfr	ecn no.	dr	date	COPY	
L				projection	title
					VERTICAL RECEPTACLE W/ GUIDE PIN SIGNAL / POWER
				INCH/MM	product family
				scale	PWRBLADE
				1:1	code
					213
sheet index	revision sheet				sheet
					3

Pro/E

cage code 22526

PDM: Rev:L

STATUS:Released

Printed: Dec 20, 2010