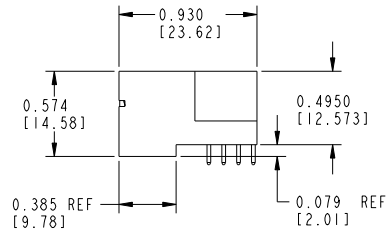
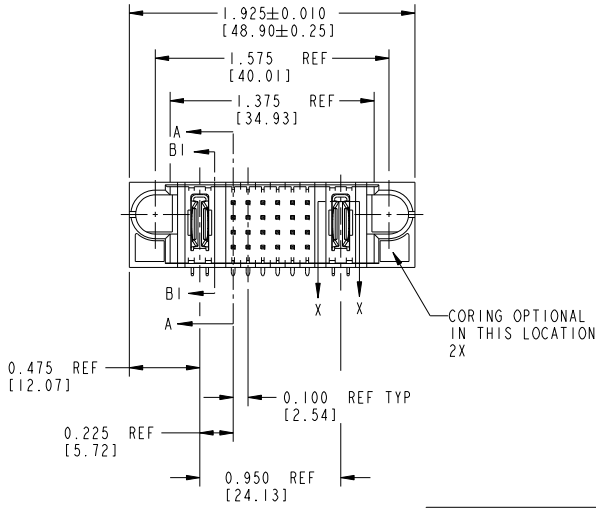
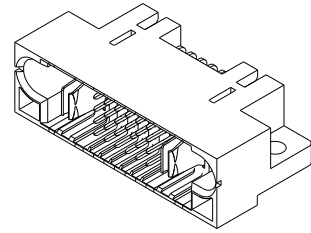
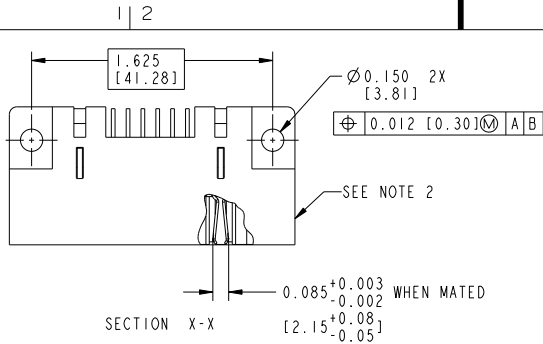


Tous droits strictement réservés. Reproduction ou communication à des tiers interdite sous quelque forme que ce soit sans autorisation écrite du propriétaire. Propriété de c FCI. Droits de reproduction FCI.



All rights strictly reserved. Reproduction or issue to third parties in any form whatever is not permitted without written authority from the proprietor. Property of FCI. Copyright FCI.

PRODUCT NUMBER  
51415-00X\_ \_  
SEE NOTE: 3



mat'ri code				SEE NOTES		tolerances unless otherwise specified		CUSTOMER		FCI	
ltr	ecn no.	dr	date	linear	.XX±.01 / X±.3	projection	COPY	www.fciconnect.com		title	
K	DG05-0064	SW	3/30/05		.XXX±.005 / X±.13			IP + 24S + IP		Right Angle Solder Header	
L	DG05-0435	SW	11/03/05	angles	.XXX±.0020 / XXX±.051			product family		code	
M	DG08-0237	W D	09/01/08		0°±2°			PWRBLADE		213	
N	DG08-0272	W D	09/25/08	dr	C. BAROT 01-12-99			size		sheet	
				enr	J. BROWN 01-12-99			dwg no		1 of 5	
				chr	J. BROWN 01-12-99			A		51415	
				appd	J. BROWN 01-12-99			scale		1:1	
sheet index	revision sheet	N	N	N	N	N					
		1	2	3	4	5					

Pro/E

PDM: Rev:R

STATUS: Released

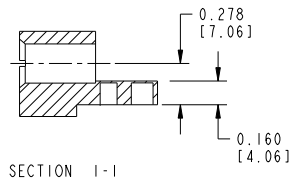
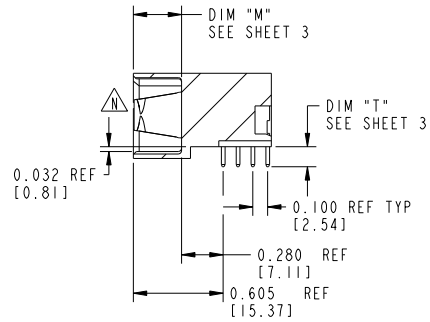
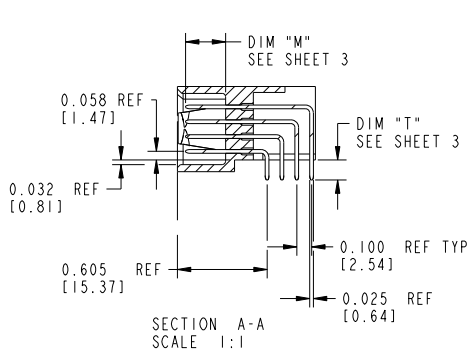
Printed: Dec 20, 2010

Tous droits strictement réservés. Reproduction ou communication à des tiers interdite sous quelque forme que ce soit sans autorisation écrite du propriétaire. Propriété de c FCI. Droits de reproduction FCI.



All rights strictly reserved. Reproduction or issue to third parties in any form whatever is not permitted without written authority from the proprietor. Property of FCI. Copyright FCI.

PRODUCT NUMBER  
51415-00X\_



mat'l code		SEE NOTES		tolerances unless otherwise specified		CUSTOMER		FCI www.fciconnect.com	
lfr	ecr no.	dr	date	linear	.xx±.01/0.xx±0.3	projection	COPY	title	IP + 24S + IP
N					.xxx±.005/0.xx±0.13				Right Angle Solder Header
				angles	.xxx±.0005/0.xxx±.051			product family	PWRBLADE
				dr	C. BAROT 01-12-99			size	dwg no
				enr	J. BROWN 01-12-99			code	213
				chr	J. BROWN 01-12-99			sheet	2 of 5
				appd	J. BROWN 01-12-99			size	51415
sheet index	revision sheet					scale	1:1		

Pro/E

PDM: Rev:R

STATUS: Released

Printed: Dec 20, 2010

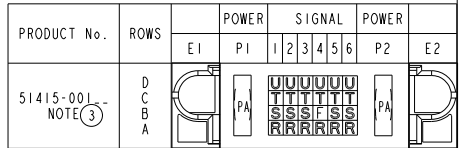
Tous droits strictement reserves. Reproduction ou communication a des tiers interdite sous quelque forme que ce soit sans autorisation écrite du propriétaire. Propriete de c FCI. Droits de reproduction FCI.



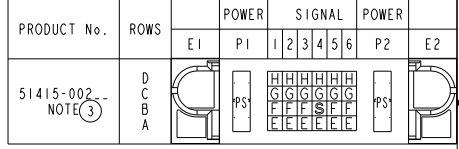
All rights strictly reserved. Reproduction or issue to third parties in any form whatever is not permitted without written authority from the proprietor. Property of FCI. Copyright FCI.

PRODUCT NUMBER  
51415-00X\_

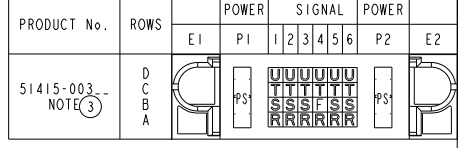
ITEM NO.	QTY	DIM "M" MATING LENGTH ±.010		DIM "T" TAIL LENGTH ±.020		CONTACT TYPE
PA	2	N/A	[N/A]	0.135	[3.43]	POWER
F	1	0.220	[5.59]	0.135	[3.43]	SIGNAL
R	6	0.270	[6.86]	0.135	[3.43]	SIGNAL
S	5	0.270	[6.86]	0.135	[3.43]	SIGNAL
T	6	0.270	[6.86]	0.135	[3.43]	SIGNAL
U	6	0.270	[6.86]	0.135	[3.43]	SIGNAL



ITEM NO.	QTY	DIM "M" MATING LENGTH ±.010		DIM "T" TAIL LENGTH ±.020		CONTACT TYPE
PS	2	N/A	[N/A]	0.135	[3.43]	POWER
E	6	0.220	[5.59]	0.135	[3.43]	SIGNAL
F	5	0.220	[5.59]	0.135	[3.43]	SIGNAL
G	6	0.220	[5.59]	0.135	[3.43]	SIGNAL
H	6	0.220	[5.59]	0.135	[3.43]	SIGNAL
S	1	0.270	[6.86]	0.135	[3.43]	SIGNAL



ITEM NO.	QTY	DIM "M" MATING LENGTH ±.010		DIM "T" TAIL LENGTH ±.020		CONTACT TYPE
PS	2	N/A	[N/A]	0.135	[3.43]	POWER
F	1	0.220	[5.59]	0.135	[3.43]	SIGNAL
R	6	0.270	[6.86]	0.135	[3.43]	SIGNAL
S	5	0.270	[6.86]	0.135	[3.43]	SIGNAL
T	6	0.270	[6.86]	0.135	[3.43]	SIGNAL
U	6	0.270	[6.86]	0.135	[3.43]	SIGNAL

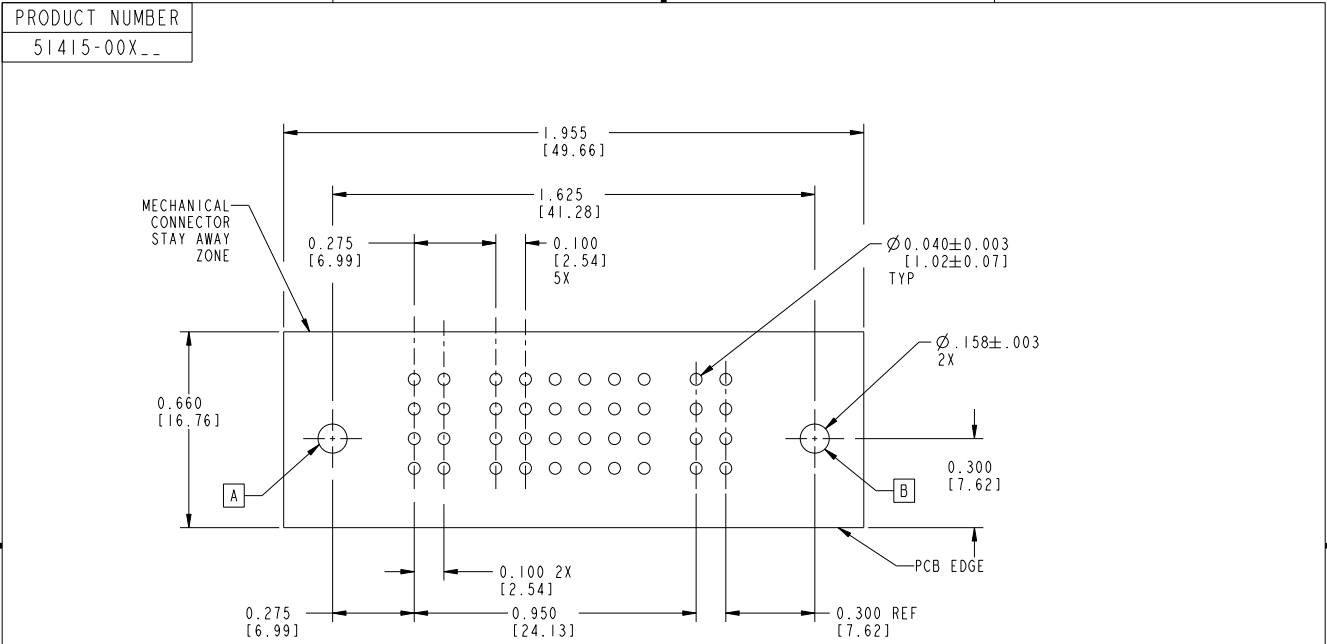


mat'l code		SEE NOTES		tolerances unless otherwise specified		CUSTOMER		www.fciconnect.com	
lfr	ecr no.	dr	date	lineor	.xx±.01/0.xx±0.3	projection	COPY	title IP + 24S + IP	
N					.xxx±.005/0.xx±0.13	INCH/MM		Right Angle Solder Header	
				angles	.xxx±.0005/0.xxx±.051	scale		product family	PWRBLADE
				dr	C. BAROT 01-12-99	1:1		size	dwg no 213
				enr	J. BROWN 01-12-99			sheet	3 of 5
				chr	J. BROWN 01-12-99			code	
				appd	J. BROWN 01-12-99			51415	
sheet index	revision sheet								

Tous droits strictement réservés. Reproduction ou communication à des tiers interdite sous quelque forme que ce soit sans autorisation écrite du propriétaire. Propriété de c.FCI. Droits de reproduction FCI.



All rights strictly reserved. Reproduction or issue to third parties in any form whatever is not permitted without written authority from the proprietor. Property of FCI. Copyright FCI.



SCALE 2:1

RECOMMENDED PCB LAYOUT

mat'ri code		SEE NOTES		tolerances unless otherwise specified		CUSTOMER		www.fciconnect.com	
lfr	ecr no.	dr	date	linear	.xx±.01/0.xx±0.3	projection	COPY		
N					.xxx±.005/0.xx±0.13		title IP + 24S + IP		
				angles	.xxxx±.0005/0.xxx±.051	$0^\circ \pm 2^\circ$	Right Angle Solder Header		
				dr	C. BAROT 01-12-99	INCH/MM	product family PWRBLADE		code 213
				engr	J. BROWN 01-12-99	scale 1:1	size dwg no 51415		sheet 4 of 5
				chr	J. BROWN 01-12-99				
				appd	J. BROWN 01-12-99				
sheet index	revision sheet								

Pro/E

PDM: Rev:R

STATUS: Released

Printed: Dec 20, 2010

Tous droits strictement réservés. Reproduction ou communication à des tiers interdite sous quelque forme que ce soit sans autorisation écrite du propriétaire. Propriété de c FCI. Droits de reproduction FCI.



All rights strictly reserved. Reproduction or issue to third parties in any form whatever is not permitted without written authority from the proprietor. Property of FCI. Copyright FCI.

1 | 2

3 |

4

PRODUCT NUMBER  
51415-00X\_

NOTES:

1. DIMENSIONS AND TOLERANCES ARE IN ACCORDANCE WITH ASME Y14.5M, 1994 UNLESS OTHERWISE SPECIFIED.

CONNECTOR NOTES:

2. HOUSING MATERIAL: UL 94 V-0 GLASS FILLED HIGH-TEMP THERMOPLASTIC  
POWER CONTACT MATERIAL: COPPER ALLOY  
SIGNAL PIN MATERIAL: COPPER ALLOY

3. SEE ITEM 1 & 2 IN PRINT 10064183 FOR PLATING SPEC OF 51415-00X AND 51415-00XLF RESPECTIVELY.

4. MANUFACTURER'S NAME, P/N, AND DATE CODE TO APPEAR ON THIS SURFACE.

5. PRODUCT SPECIFICATION GS-12-149.  
APPLICATION SPECIFICATION BUS-20-067.

PCB NOTES:

6. ALL HOLE DIAMETERS ARE FINISHED HOLE SIZE.

7. MOUNTING HOLES, WHERE APPLICABLE, ARE UNPLATED.

8.  $\varnothing .0453 \pm 0.0010$  [ $1.151 \pm 0.025$ ] DRILLED HOLES PLATED WITH  
.0003 [0.008] MIN SnPb OVER .001 [0.03]  
TO .003 [0.08] Cu PLATING TO ACHIEVE  
 $\varnothing .040 \pm .003$  [ $1.02 \pm .07$ ] HOLE.

9. "DIM XXX" TO BE DETERMINED BY THE CUSTOMER.

10. CONNECTOR KEEP-OUT ZONE.

11. A SYMBOL WILL BE NEXT TO ANY DIMENSION, VIEW, OR NOTE WHICH HAS BEEN MODIFIED WITH THE CURRENT DRAWING REVISION.

mat'l code				SEE NOTES		tolerances unless otherwise specified		CUSTOMER		www.fciconnect.com	
lfr	ecn no.	dr	date	linear	.XXX±.01/0.X±0.3	projection		COPY		title	
N					.XXX±.005/0.XX±0.13					IP + 24S + IP	
				angles	.XXX±.0005/0.XXX±.051					Right Angle Solder Header	
				dr	C. BAROT 01-12-99	INCH/MM		product family		code	
				engr	J. BROWN 01-12-99			PWRBLADE		213	
				chr	J. BROWN 01-12-99	scale		size		sheet	
				appd	J. BROWN 01-12-99	1:1		A		5 of 5	
sheet index	revision sheet										

1 | 2

Pro/E

PDM: Rev:R

STATUS: Released

Printed: Dec 20, 2010

A

B