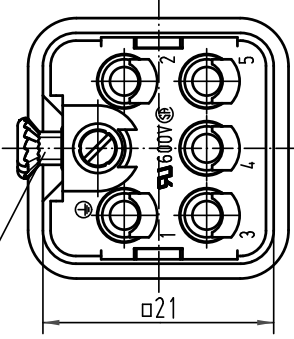
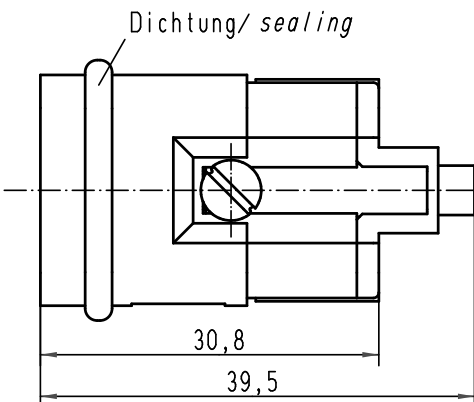
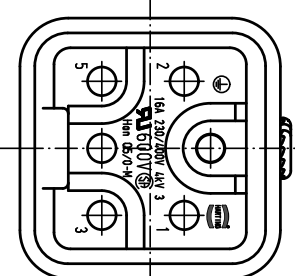
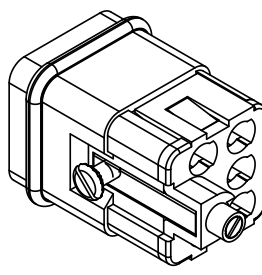


Alle Rechte vorbehalten/ All rights reserved

	5	4	3	2	1																																																																						
D			 <p style="text-align: center;">Dichtung/ sealing</p>																																																																								
C	<p>Senkschraube M3x6-4.8 lose beigelegt</p> <p><i>countersunk screw M3x6-4.8 seperated enclosed</i></p>																																																																										
B																																																																											
A	<table border="1" style="width: 100%; border-collapse: collapse;"> <tr> <td style="text-align: center;"></td> <td colspan="2">All Dimensions in mm Original Size DIN A 4</td> <td colspan="3">Techn. Character.</td> <td colspan="3">Nicht tolerierte Maß/Free size tolerances</td> </tr> <tr> <td></td> <td></td> <td></td> <td></td> <td style="text-align: center;">Dat.</td> <td style="text-align: center;">Name</td> <td colspan="3" rowspan="4" style="text-align: center; vertical-align: middle;"> Maßstab/Scale 2:1 </td> </tr> <tr> <td></td> <td style="text-align: center;">413980</td> <td style="text-align: center;">01.07.08</td> <td style="text-align: center;">Bor</td> <td style="text-align: center;">Detail.</td> <td style="text-align: center;">02.08.94</td> <td style="text-align: center;">ZILK</td> </tr> <tr> <td></td> <td style="text-align: center;">410629</td> <td style="text-align: center;">28.11.03</td> <td style="text-align: center;">ML</td> <td style="text-align: center;">Insp.</td> <td></td> <td style="text-align: center;">Herb</td> </tr> <tr> <td></td> <td style="text-align: center;">410228</td> <td style="text-align: center;">18.10.02</td> <td style="text-align: center;">Loe.</td> <td style="text-align: center;">Stand.</td> <td></td> <td></td> </tr> <tr> <td></td> <td></td> <td style="text-align: center;">29227</td> <td style="text-align: center;">04.04.01</td> <td style="text-align: center;">ROH</td> <td colspan="3" rowspan="3" style="text-align: center; vertical-align: middle;"> HARTING Electric GmbH & Co. KG D-32339 Espelkamp </td> <td colspan="3" rowspan="3" style="text-align: center; vertical-align: middle;"> TB 09 12 005 3001 Sub. </td> </tr> <tr> <td></td> <td></td> <td style="text-align: center;">25570</td> <td style="text-align: center;">15.03.99</td> <td style="text-align: center;">KR</td> </tr> <tr> <td></td> <td style="text-align: center;">Mod.</td> <td style="text-align: center;">Dat.</td> <td style="text-align: center;">Name</td> <td></td> </tr> </table>				All Dimensions in mm Original Size DIN A 4		Techn. Character.			Nicht tolerierte Maß/Free size tolerances							Dat.	Name	Maßstab/Scale 2:1				413980	01.07.08	Bor	Detail.	02.08.94	ZILK		410629	28.11.03	ML	Insp.		Herb		410228	18.10.02	Loe.	Stand.					29227	04.04.01	ROH	HARTING Electric GmbH & Co. KG D-32339 Espelkamp			TB 09 12 005 3001 Sub.					25570	15.03.99	KR		Mod.	Dat.	Name		<table border="1" style="width: 100%; border-collapse: collapse;"> <tr> <td colspan="3" style="text-align: center;"> Han Q5/0-M Stifteinsatz/ male insert </td> </tr> <tr> <td colspan="3" style="text-align: center;"> TB 09 12 005 3001 </td> </tr> <tr> <td colspan="3" style="text-align: center;"> Sub. </td> </tr> </table>		Han Q5/0-M Stifteinsatz/ male insert			TB 09 12 005 3001			Sub.			Blatt/ page /
	All Dimensions in mm Original Size DIN A 4		Techn. Character.			Nicht tolerierte Maß/Free size tolerances																																																																					
				Dat.	Name	Maßstab/Scale 2:1																																																																					
	413980	01.07.08	Bor	Detail.	02.08.94				ZILK																																																																		
	410629	28.11.03	ML	Insp.					Herb																																																																		
	410228	18.10.02	Loe.	Stand.																																																																							
		29227	04.04.01	ROH	HARTING Electric GmbH & Co. KG D-32339 Espelkamp			TB 09 12 005 3001 Sub.																																																																			
		25570	15.03.99	KR																																																																							
	Mod.	Dat.	Name																																																																								
Han Q5/0-M Stifteinsatz/ male insert																																																																											
TB 09 12 005 3001																																																																											
Sub.																																																																											