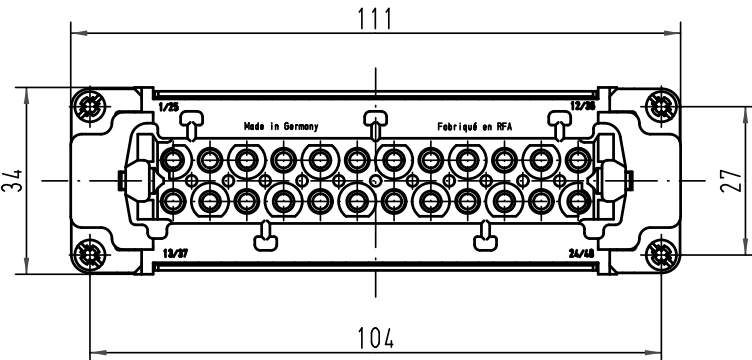
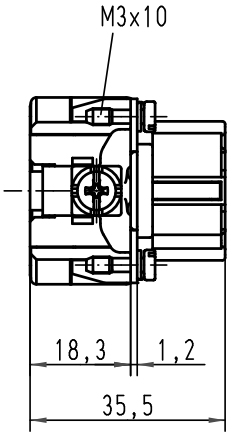
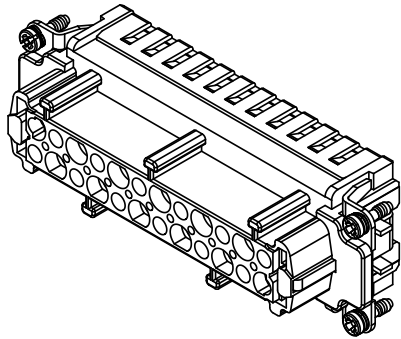
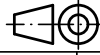



Alle Rechte vorbehalten/ All rights reserved

	5	4	3	2	1																
D																					
C																					
B																					
A	 <p>All Dimensions in mm Original Size DIN A 4</p>			<p>Techn. Character.</p> <table border="1" style="width:100%; border-collapse: collapse;"> <tr> <td style="width: 20%;"></td> <td style="width: 20%; text-align: center;">Def.</td> <td style="width: 20%; text-align: center;">Name</td> <td style="width: 40%; text-align: center;">Maßstab/Scale</td> </tr> <tr> <td style="text-align: center;">Detail.</td> <td style="text-align: center;">23.08.01</td> <td style="text-align: center;">Pae</td> <td rowspan="3" style="text-align: center; vertical-align: middle; font-size: 2em;">1:1</td> </tr> <tr> <td style="text-align: center;">Insp.</td> <td></td> <td style="text-align: center;">Well</td> </tr> <tr> <td style="text-align: center;">Stand.</td> <td></td> <td></td> </tr> </table>			Def.	Name	Maßstab/Scale	Detail.	23.08.01	Pae	1:1	Insp.		Well	Stand.			<p>Nicht tolerierte Maß / Free size tolerances</p> <p style="font-size: 1.5em; font-weight: bold;">Han 24E-F-c</p> <p>Buchseinsatz / female insert</p>	
	Def.	Name	Maßstab/Scale																		
Detail.	23.08.01	Pae	1:1																		
Insp.		Well																			
Stand.																					
	413214	17.09.07	Rull	<p style="font-size: 1.2em; font-weight: bold;">TB 09 33 024 2702</p> <p>Sub.</p>																	
	29664			<p>HARTING Electric GmbH &amp; Co. KG</p> <p>D-32339 Espelkamp</p> 																	
	Mod.	Dat.	Name	<p>Blatt/ page</p>																	