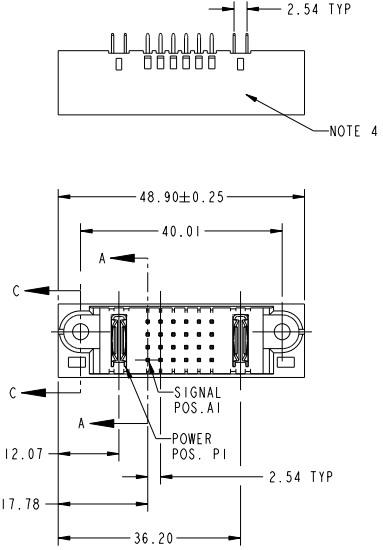


Tous droits strictement réservés. Reproduction ou communication à des tiers interdite sous quelque forme que ce soit sans autorisation écrite du propriétaire. Propriété de c.FCI. Droits de reproduction FCI.

All rights strictly reserved. Reproduction or issue to third parties in any form whatsoever is not permitted without written authority from the proprietor. Property of FCI. Copyright FCI.



PRODUCT No.	ROWS	POWER	SIGNAL	POWER
51952-001... NOTE: 3	D C B A	E1 P1	1 2 3 4 5 6	P2 E2



CODE	DIM "M" ± 0.25	CONTACT TYPE
E	[6.86]	SIGNAL
H	[5.59]	SIGNAL
PA	[N/A]	POWER

mat'l code		SEE NOTE		tolerances unless otherwise specified		CUSTOMER		FCI		www.fciconnect.com	
lfr	con no.	dr	date	linear	0.X ± 0.5	COPY		projection	title	IP + 24S + IP	
A	V12513	DAI	10/31/01		0.XX ± 0.25				VERTICAL SOLDER HEADER		
B	V21104	TAB	10/01/02	angles	0.XXX ± 0.10						
C	V03-0093	DAI	05/09/03		0° +2°						
D	DG05-0240	GeoJM	07/27/05	dr	J. WITMER	9/19/01			product family	PwrBlade	code
E	DG05-0450	Ryan	11/09/05	engr	J. ALLISON	9/19/01			size	dwg no	213
F	DG07-0498	JW	09/15/08	chr	J. ALLISON	9/19/01			scale	51952-001	sheet
				appd	J. ALLISON	9/19/01			1:1	A	1 of 3
sheet index	revision										
		F	F	F							
		1	2	3							

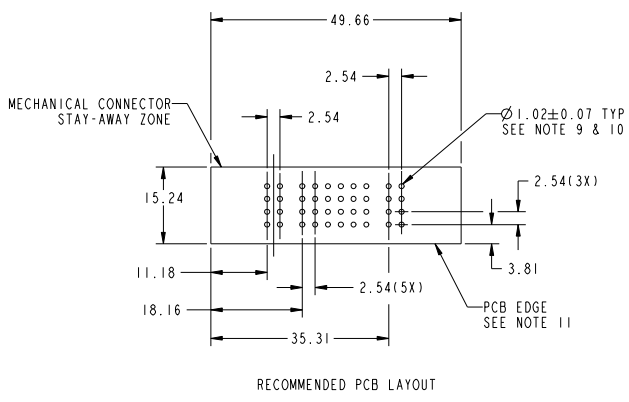
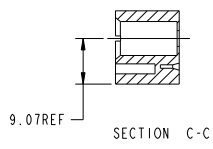
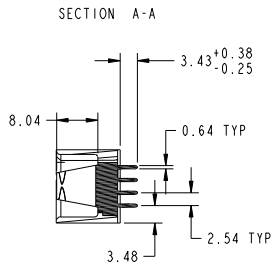
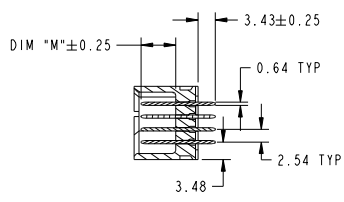
cage code 22526

Tous droits strictement réservés. Reproduction ou communication à des tiers interdite sous quelque forme que ce soit sans autorisation écrite du propriétaire. Propriété de FCI. Droits de reproduction FCI.



All rights strictly reserved. Reproduction or issue to third parties in any form whatsoever is not permitted without written authority from the proprietor. Property of FCI. Copyright FCI.

PRODUCT NUMBER
51952-001...
NOTE: 3



mat'l code		SEE NOTE		tolerances unless otherwise specified		CUSTOMER	
lir	ecm no.	dr	date	linear	0.X ± 0.5	COPY	www.fciconnect.com
F					0.XX ± 0.25	projection	
				angles	0.XXX ± 0.10		title
				dr	0° ± 2°		product family
				eng	J. WITMER 9/19/01		PwrBlade
				chr	J. ALLISON 9/19/01		product size
				appd	J. ALLISON 9/19/01	scale	213
sheet index	revision sheet					1:1	2
							sheet
							2

Pro/E 3 cage code 22526 4

Tous droits strictement réservés. Reproduction ou communication à des tiers interdite sous quelque forme que ce soit sans autorisation écrite du propriétaire. Propriété de c.FCI. Droits de reproduction FCI.



All rights strictly reserved. Reproduction or issue to third parties in any form whatsoever is not permitted without written authority from the proprietor. Property of FCI. Copyright FCI.

PRODUCT NUMBER
51952-001...
NOTE: 3

NOTES:

1. DIMENSIONS AND TOLERANCES ARE IN ACCORDANCE WITH ASME Y14.5M, 1994 UNLESS OTHERWISE SPECIFIED.

CONNECTOR NOTES:

2. HOUSING MATERIAL: UL 94 V-0 GLASS FILLED HIGH TEMP THERMOPLASTIC
POWER CONTACT MATERIAL: COPPER ALLOY
SIGNAL CONTACT MATERIAL: COPPER ALLOY

3. PLATING:
SEE ITEM 1 & 2 IN PRINT 10064183 FOR PLATING SPEC OF 51952-001; 51952-001LF RESPECTIVELY

4. "MANUFACTURER'S" NAME, P/N, AND DATE CODE TO APPEAR ON THIS SURFACE

5. PRODUCT SPECIFICATION GS-12-149.
APPLICATION SPECIFICATION BUS-20-067.

6. PACKAGED IN TRAYS.

PCB NOTES:

7. ALL DIMENSIONS ARE BASIC UNLESS OTHERWISE SPECIFIED.

8. ALL THROUGH HOLES ARE LOCATED WITH A TRUE POSITION OF 0.004 [0.10]

9. ALL HOLE DIAMETERS ARE FINISHED HOLE SIZE

10. $\varnothing 1.151 \pm 0.025$ DRILLED HOLES PLATED WITH
0.008 MIN SnPb OR Sn OVER 0.03
TO 0.08 Cu PLATING TO ACHIEVE
 $\varnothing 1.02 \pm .07$ HOLE.

11. CONNECTOR KEEP-OUT ZONE.

12. A Δ SYMBOL WILL BE NEXT TO ANY DIMENSION,
VIEW, OR NOTE WHICH HAS BEEN MODIFIED
WITH THE CURRENT DRAWING REVISION.

mat'l code				SEE NOTE		tolerances unless otherwise specified		CUSTOMER				
litr	ecm no.	dr	date	linear	angles	projection	scale	title	code			
F				0.XX ±0.5	0.XXX ±0.25		MM	IP + 24S + IP VERTICAL SOLDER HEADER	213			
				0.XXX ±0.10	0 ±2					A	51952-001	3
				dr J. WITHER 9/15/01	eng J. ALLISON 9/15/01	chr J. ALLISON 9/15/01	appd J. ALLISON 9/15/01	product family PwrBlade	sheet 3			
sheet index	revision sheet											

www.fciconnect.com

code 213
sheet 3

cage code 22526