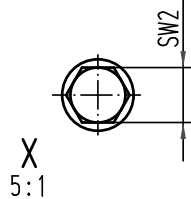
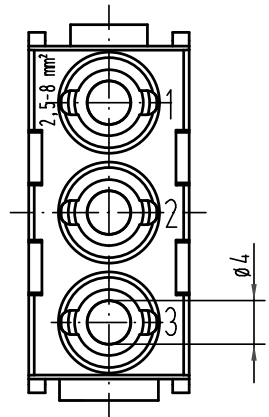
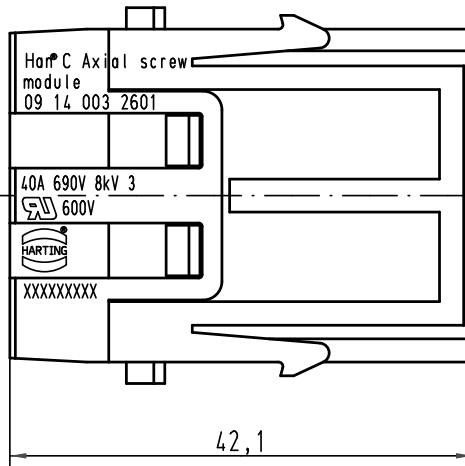
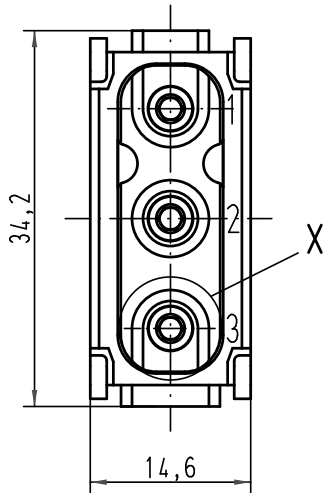
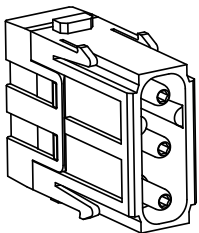


Alle Rechte vorbehalten/ All rights reserved



für Litze 2,5-8mm², AWG14-8, feindrähtig
for stranded wire 2,5-8mm², AWG14-8, fine wire



All Dimensions in mm Original Size DIN A 4		Techn. Character.			Nicht tolerierte Maß/Free size tolerances													
		<table border="1"> <tr> <th>Def.</th> <th>Name</th> <th>Maßstab/Scale</th> </tr> <tr> <td>Detail.</td> <td>10.10.08</td> <td>Rull</td> </tr> <tr> <td>Insp.</td> <td></td> <td>Be</td> </tr> <tr> <td>Stand.</td> <td></td> <td></td> </tr> </table>	Def.	Name	Maßstab/Scale	Detail.	10.10.08	Rull	Insp.		Be	Stand.			2:1		Han C Axial screw module Stifteinsatz/male insert	
Def.	Name	Maßstab/Scale																
Detail.	10.10.08	Rull																
Insp.		Be																
Stand.																		
A		HARTING Electric GmbH & Co. KG D-32339 Espelkamp				Blatt/page TB 09 14 003 2601												
Mod.	<table border="1"> <tr> <th>Mod.</th> <th>Dat.</th> <th>Name</th> </tr> <tr> <td></td> <td></td> <td></td> </tr> </table>	Mod.	Dat.	Name					Sub. TB 09 14 003 2601 v. 02.03.04									
Mod.	Dat.	Name																