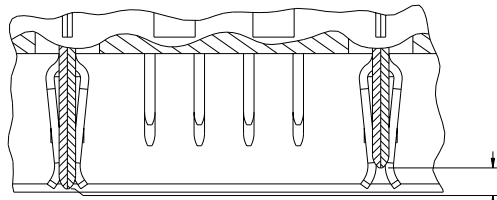


Copyright FCJ

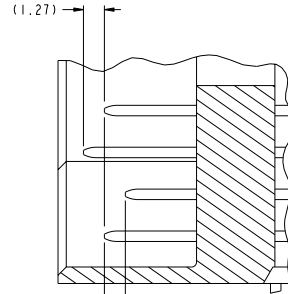
www.fciconnect.com				surface	tolerance std	projection	MM
				ASME Y14.5	ASME Y14.5	ASME Y14.5	
				TOLERANCES UNLESS OTHERWISE SPECIFIED			
				ANGULAR	LINEAR	SIZE	Scale
					0.xx	0.10	A2
					0.xxx	0.050	ECN
				Product family			
				HCI Spec ref			
				R/A HDR ASSY 2P-16S-4P			
				HCI POWER CONNECTOR			
				CUSTOMER			
				sheet 1 of 5			
				Rev. C			

REV	ECN NO	DR	DATE
A	V07-0402	TH	2007-06-13
B	V08-0053	SH	2008-02-04
C	V08-0243	TH	2008-06-05

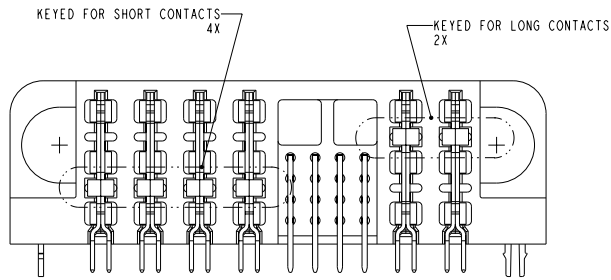




DETAIL C
SCALE 6:1
POWER MATING
SEQUENCE



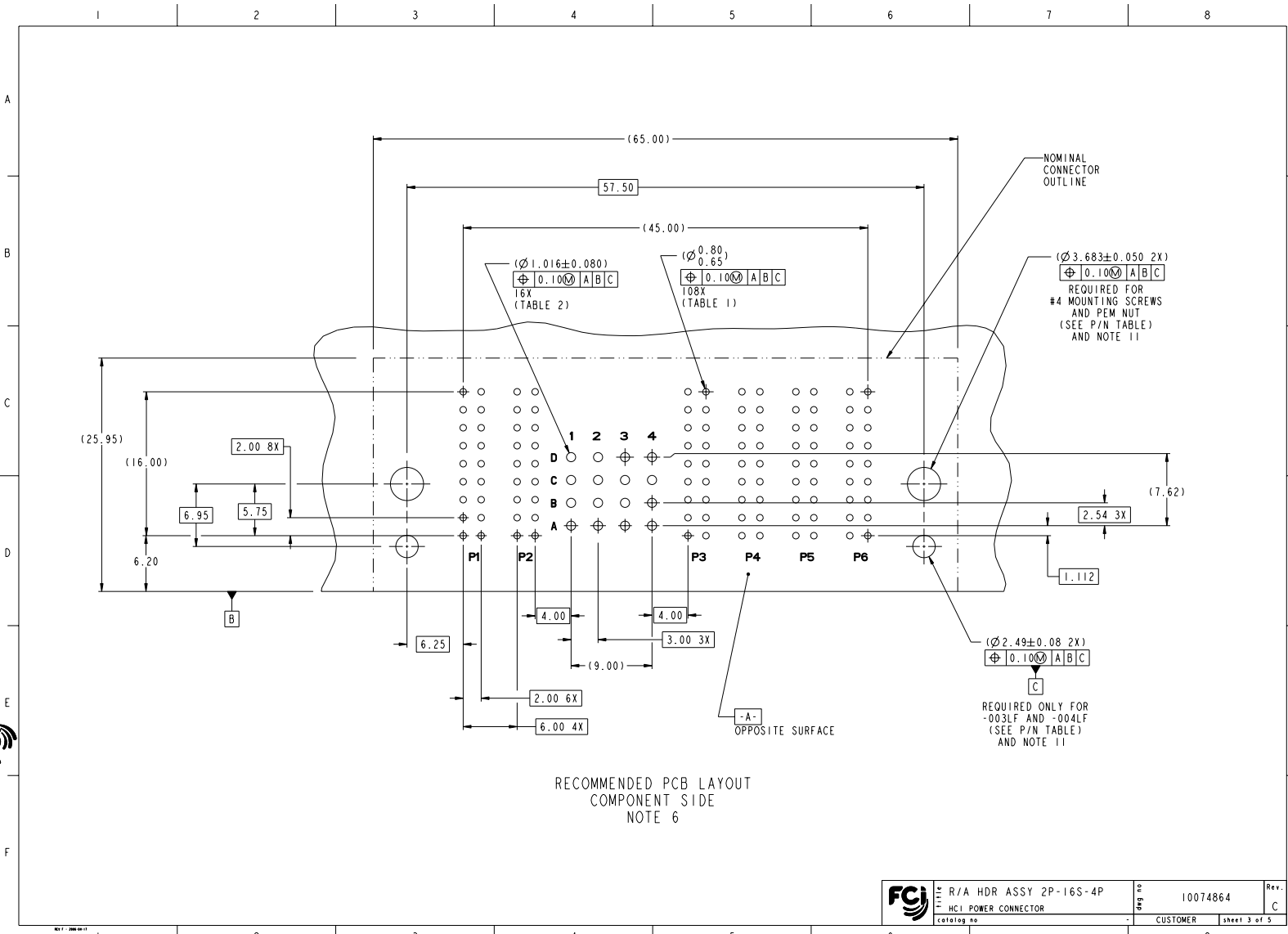
SECTION W-W
SCALE 6:1
SIGNAL MATING
SEQUENCE



VIEW G-G

	R/A HDR ASSY 2P-16S-4P HCL POWER CONNECTOR <small>catalog no.</small>	<small>part no.</small> 10074864 <small>customer</small>	<small>Rev.</small> C <small>sheet 2 of 3</small>
	<small>PDM: Rev:C</small>	<small>STATUS: Released</small>	<small>Printed: Dec 18, 2010</small>

Copyright FCJ



	R/A HDR ASSY 2P-16S-4P	Part No	10074864	Rev.	C
	HCL POWER CONNECTOR	CUSTOMER			
					Sheet 3 of 5

1 2 3 4 5 6 7 8

A

B

C

D

E

F

A

B

C


D

E

F

TOP LAYER DESCRIPTION	TABLE 1 (HCl POWER) PLATED THROUGH-HOLE REQUIREMENTS							
	DRILLED HOLE DIAMETER	COPPER THICKNESS	TIN-LEAD THICKNESS	NICKEL THICKNESS	GOLD THICKNESS	TIN THICKNESS	SILVER THICKNESS	FINISHED HOLE DIAMETER
TIN-LEAD	0.81-0.86 (0.85 DRILL)	0.025 - 0.050	0.005 - 0.015	--	--	--	--	0.65 - 0.80
IMMERSON TIN	0.81-0.86 (0.85 DRILL)	0.025 - 0.050	--	--	--	0.9 - 1.5um	--	0.70 - 0.80
IMMERSON SILVER	0.81-0.86 (0.85 DRILL)	0.025 - 0.050	--	--	--	--	0.15 - 0.65um	0.70 - 0.80
COPPER (SEE NOTE 9)	0.81-0.86 (0.85 DRILL)	0.025 - 0.050	--	--	--	--	--	0.70 - 0.80
GOLD	0.81-0.86 (0.85 DRILL)	0.025 - 0.050	--	0.003 - 0.007	FLASH UP TO 0.0002	--	--	0.69 - 0.80

TOP LAYER DESCRIPTION	TABLE 2 (HPC SIGNALS) PLATED THROUGH-HOLE REQUIREMENTS							
	DRILLED HOLE DIAMETER	COPPER THICKNESS	TIN-LEAD THICKNESS	NICKEL THICKNESS	GOLD THICKNESS	TIN THICKNESS	SILVER THICKNESS	FINISHED HOLE DIAMETER
TIN-LEAD	1.125-1.175 (\varnothing .0453 \pm .0010)	0.025-0.050	0.005-0.015	--	--	--	--	0.94 - 1.10 (\varnothing .040 \pm .003)
IMMERSON TIN			--	--	--	--	--	
IMMERSON SILVER			--	--	--	--	--	
COPPER (SEE NOTE 9)			--	--	--	--	--	
GOLD			--			--	--	

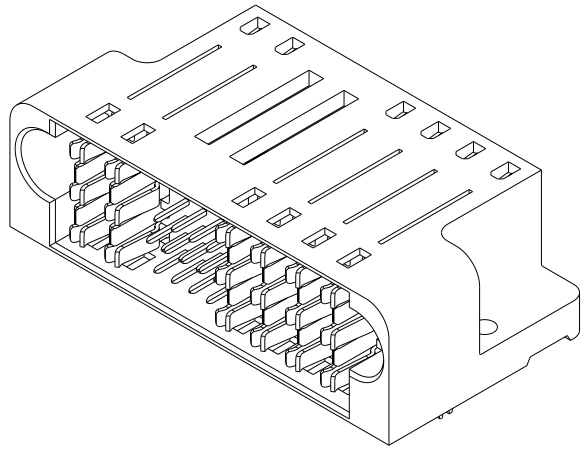
	R/A HDR ASSY 2P-16S-4P	Part No	10074864	Rev.	
	HCl POWER CONNECTOR	Customer		C	

PDM: Rev:C STATUS:Released 8 Printed: Dec 18, 2010

1 2 3 4 5 6 7 8

Copyright FCJ

PART NUMBER	RETENTION CLIPS	#4 SCREW	DIM A (TAIL LENGTH)	TAIL TYPE
10074864-001LF	NO	YES	3.43	SOLDER TAIL
10074864-002LF	NO	YES	4.70	SOLDER TAIL
10074864-003LF	YES	NO	3.43	SOLDER TAIL
10074864-004LF	YES	NO	4.70	SOLDER TAIL



NOTES:

1. CONNECTOR MATERIALS:
HOUSING: HIGH TEMPERATURE THERMOPLASTIC, BLACK
UL 94V-0 COMPLIANT
CONTACTS: HIGH PERFORMANCE COPPER ALLOY
2. CONTACT FINISH (REF. GS-12-380 SECTION 5.2)
3. PRODUCT SPECIFICATION: GS-12-380.
4. APPLICATION SPECIFICATION: GS-20-070.
5. PRODUCT MARKING (PRODUCT NUMBER & DATE CODE) ON HOUSING IN AREA SHOWN.
6. MINIMUM NOMINAL PCB THICKNESS: 1.6mm
7. PACKAGING MEETS FCI SPECIFICATION GS-14-1073.
8. HOUSING COMPONENT WILL WITHSTAND EXPOSURE TO 260°C PEAK TEMPERATURE FOR 60 SECONDS IN A CONVECTION, INFRA-RED, OR VAPOR PHASE REFLOW OVEN.
9. COPPER PLATING THICKNESS IN CENTER OF VIA-HOLE CAN BE NO MORE THAN 0.003 LESS THAN OTHER AREAS.
10. ALL HOLE SIZES ARE FINISHED HOLE SIZES.
11. MOUNTING HOLES ARE UNPLATED.

	R/A HDR ASSY 2P-16S-4P	Org No	10074864	Rev.	
	FCI POWER CONNECTOR	CUSTOMER		C	

PDM: Rev:C STATUS: Released 8 Printed: Dec 18, 2010