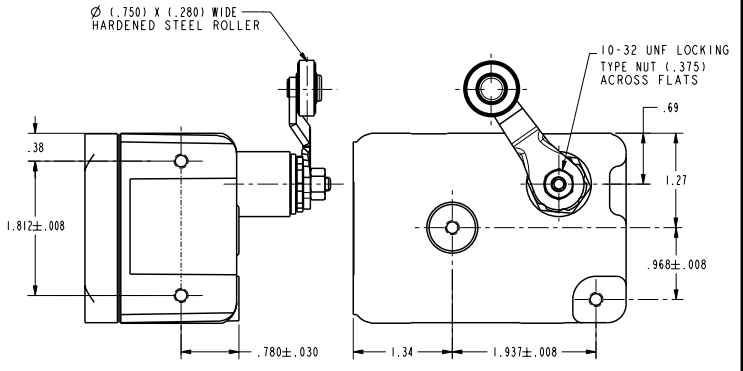
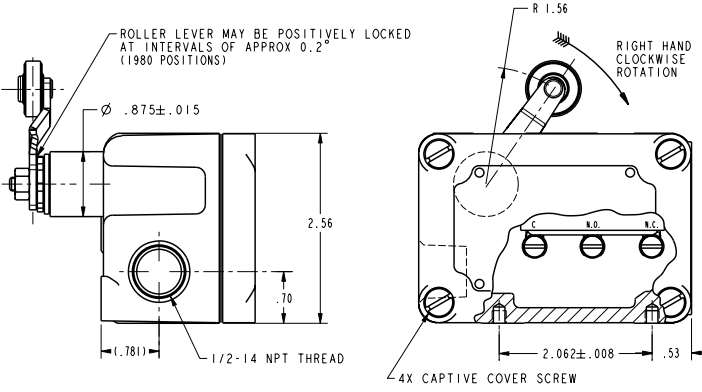
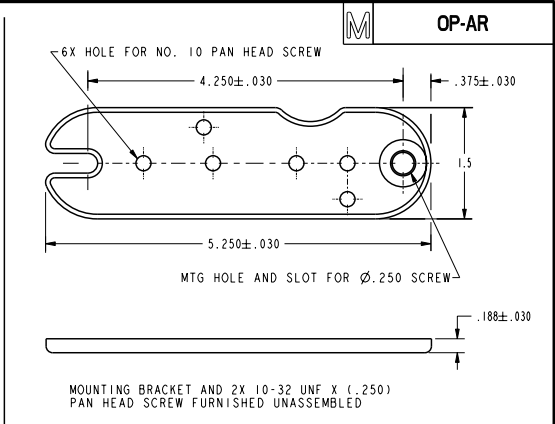
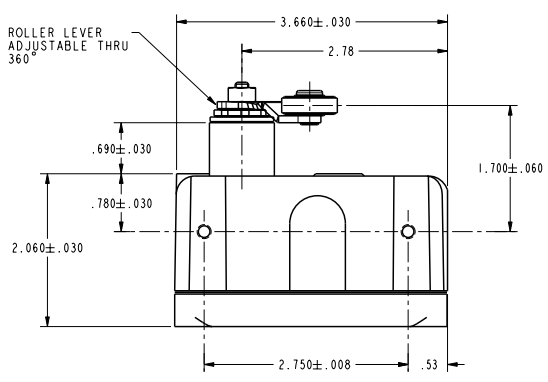


P.T.C./CAD 70
 DRAWN BY JMT
 CHECKED BY JMT
 DESIGNED BY JMT
 REVISIONS
 A CO-9482
 DATE 11/19/82
 ISSUE 27
 M OP-AR
 HONEYWELL
 MICRO SWITCH
 DIVISION
 RELEASE NO. OF



NOTES
 1 - 8X MOUNTING SCREW HOLES, 10-32 UNF-2B THREADS X (.219) DEEP
 2 - 8-32 UNC X (.219) BINDING HEAD TERMINAL SCREWS AND CUPWASHERS
 3 - SEALED CONSTRUCTION PROVIDES SPLASH RESISTANCE

CHARACTERISTICS	ELECTRICAL DATA
OPERATING FORCE ----- 1/2 - 1 1/4 LB	CONTACT ARRANGEMENT S P D T
RELEASE FORCE ----- 1/4 LB MIN	L96
PRETRAVEL ----- .219 MAX 8°	15A 125, 250 OR 480 VAC
DIFFERENTIAL TRAVEL --- .007 MAX 1/4°	1/8HP 125 VAC, 1/4HP 250 VAC
DO NOT OVERTRAVEL MORE THAN --- 90°	1/2A 125 VDC, 1/4A 250 VDC
SWITCH - BASIC REPLACEMENT - BZ-2R-P4	



ANSI Y14.5M-1982 APPLIES

MICRO SWITCH
 a Honeywell Division
 SWITCH - ENCLOSED
 OP-AR
 CATALOG LISTING
 FED. MFG. CODE 91829

THIRD ANGLE PROJECTION		
SCALE	FULL	
DO NOT SCALE PRINT		
UNLESS OTHERWISE SPECIFIED TOLERANCES ARE		
ONE PLACE	(.01)	±.030
TWO PLACES	(.001)	±.015
THREE PLACES	(.0001)	±.005
ANGLES		±
WEIGHT		