



BZV6-2RN2



Enclosed Switches Series V6: Top Roller Arm Actuator, Adjustable with Steel Roller; 1NC 1NO SPDT Snap Action; 0.5 in - 14NPT conduit

Actual product appearance may vary.

Features

- Side or flange mount
- Momentary or maintained contact
- Grounding screw
- High capacity (22 amp) available
- Temperature range -32 °C to +71 °C [-25 °F to +160 °F]
- Zinc Die-Cast housing NEMA 1
- UL Recognized, file #E12252
- CSA Certified, file #LR41372
- NEMA 1, 3, 4 /IP66
- Pre-leaded or connector termination options

Potential Applications

- Packaging equipment
- Special machinery
- Textile machinery
- Conveyors
- Construction machinery and equipment
- Printing trades machinery
- Overhead cranes and hoists

Description

MICRO SWITCH™ E6 (side mount) and V6 (flange mount) switches are offered with or without actuator seal boots. Both have a combination insulator/seal cemented inside the bottom enclosure. Lead washers are used to seal the mounting holes on side mount switches. All side mount switches are installed with #6 screws, except the BZE6-2RN7 (#8 screws). Removal of the bottom enclosure exposes the terminals for easy wiring.

| Product Specifications | |
|-----------------------------|---|
| Availability | Global |
| Operating Force (O.F.) | 2,78 N to 5,56 N [10 oz to 20 oz] |
| Release Force (R.F.) | 1,67 N min. [6 oz min.] |
| Pretravel (P.T.) | 4,78 mm max. [0.188 in max.] |
| Overtravel (O.T.) | 5,56 mm min. [0.219 in min.] |
| Differential Travel (D.T.) | 0,15 mm max. [0.006 in max.] |
| Product Type | Enclosed Switches |
| Actuator | Top Roller Arm |
| Lever Style | Roller - Adjustable |
| Circuitry | 1NC 1NO SPDT Snap Action |
| Ampere Rating | 15 A Ind./2 A Ind./0.5 A Res./0.25 A Res. |
| Supply Voltage | 125 Vac, 250 Vac, 480 Vac/600 Vac/125 Vdc/250 Vdc |
| Housing Material | Zinc Die-Cast |
| Termination Type | 0.5 in - 14NPT conduit |
| Housing Type | Split Housing, Flange Mount |
| Series Name | E6/V6 |
| Sealing | NEMA 1, 3, 4 /IP66 |
| Approvals | UL recognized, CSA certified |
| CSA File # | LR41372 |
| UL File # | E12252 |
| Operating Temperature Range | -32 °C to 71 °C [-25 °F to 160 °F] |
| Comment | With seal boot on plunger; Lever field adjustable 360° horizontally and 225° vertically |
| UNSPSC Code | 302119 |
| UNSPSC Commodity | 302119 Switches and controls and relays |
| Sealed | Industrial |

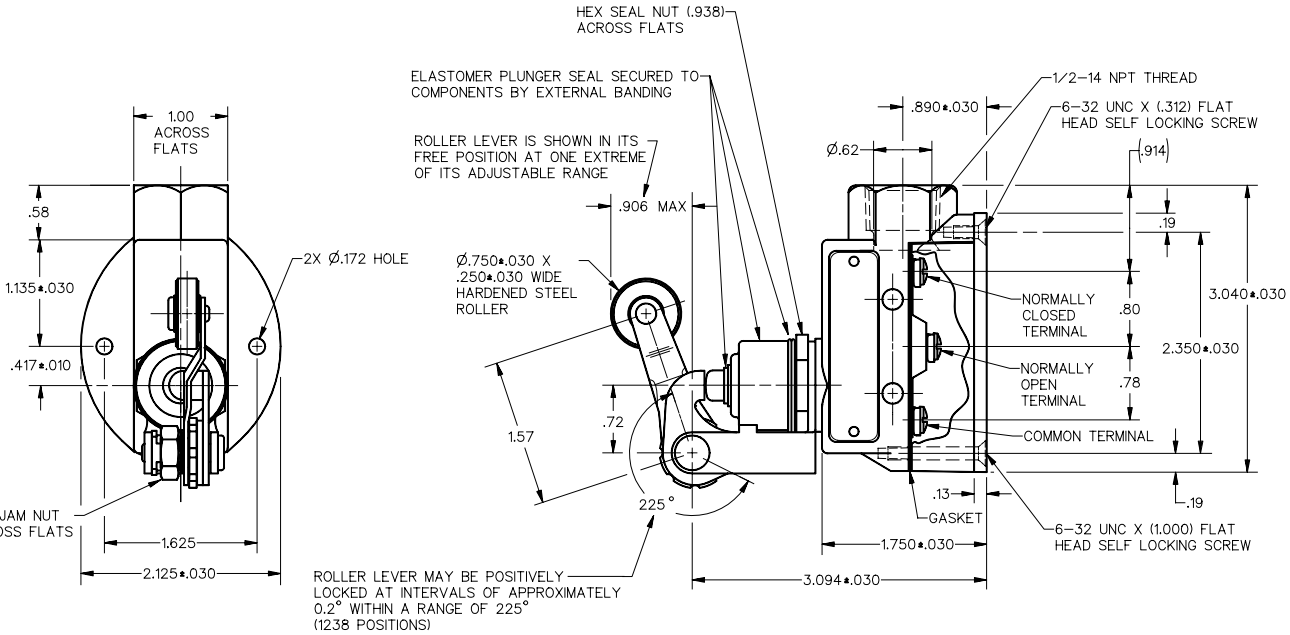
CATALOG LISTING BZV6-2RN2
 ISSUE 11
 REVISIONS
 A 100 10/25/56
 B 100 10/25/56
 C 100 10/25/56
 D 100 10/25/56
 E 100 10/25/56
 F 100 10/25/56
 G 100 10/25/56
 H 100 10/25/56
 I 100 10/25/56
 J 100 10/25/56
 K 100 10/25/56
 L 100 10/25/56
 M 100 10/25/56
 N 100 10/25/56
 O 100 10/25/56
 P 100 10/25/56
 Q 100 10/25/56
 R 100 10/25/56
 S 100 10/25/56
 T 100 10/25/56
 U 100 10/25/56
 V 100 10/25/56
 W 100 10/25/56
 X 100 10/25/56
 Y 100 10/25/56
 Z 100 10/25/56
 DDM/CAD
 SAV 17 OCT 92
 CHECK
 RELEASE NO. SR-7227
 REF. PLACES

MICRO SWITCH
 a Honeywell Division

SWITCH - ENCLOSED

CATALOG LISTING
BZV6-2RN2

FED. MFG. CODE 91924



NOTE
 1 - ROLLER LEVER BRACKET ASSEMBLY MAY BE SET AT ANY POSITION AROUND AXIS OF PLUNGER
 2 - 3X 6-32 UNC X (.219) BINDING HEAD TERMINAL SCREW AND CUPWASHER

| | | |
|--|---|--|
| THIS DRAWING COVERS A PROPRIETARY ITEM AND IS THE PROPERTY OF MICRO SWITCH, A DIVISION OF HONEYWELL. THIS DRAWING IS NOT TO BE COPIED OR USED WITHOUT THE APPROVAL OF MICRO SWITCH | | THIRD ANGLE PROJECTION |
| CHARACTERISTICS | | SCALE FULL |
| OPERATING FORCE | 10-20 OZ | DO NOT SCALE PRINT |
| RELEASE FORCE | 6 OZ MIN | UNLESS OTHERWISE SPECIFIED TOLERANCES ARE |
| PRETRAVEL | .188 MAX | ONE PLACE (.0) ±.030 |
| DIFFERENTIAL TRAVEL | .006 MAX | TWO PLACE (.00) ±.015 |
| OVERTRAVEL | .219 MIN | THREE PLACE (.000) ±.005 |
| BASIC SWITCH REPLACEMENT | BZ-2RN702 | ANGLES ± |
| ELECTRICAL DATA | | WEIGHT .76 LB |
| CONTACT ARRANGEMENT S P D T | | ANSI Y14.5M-1982 APPLIES |
| L74 | 15A 125, 250 OR 480 VAC 2A 600 VAC 1/8HP 125 VAC, 1/4HP 250 VAC 1/2A 125 VDC, 1/4A 250 VDC | |