



### BZV6-2RN



**Enclosed Switches Series V6: Top Plunger Actuator; 1NC 1NO SPDT Snap Action; 0.5 in - 14NPT conduit**

*Actual product appearance may vary.*

#### Features

- Side or flange mount
- Momentary or maintained contact
- Grounding screw
- High capacity (22 amp) available
- Temperature range -32 °C to +71 °C [-25 °F to +160 °F]
- Zinc Die-Cast housing NEMA 1
- UL Recognized, file #E12252
- CSA Certified, file #LR41372
- NEMA 1, 3, 4 /IP66
- Pre-leaded or connector termination options

#### Potential Applications

- Packaging equipment
- Special machinery
- Textile machinery
- Conveyors
- Construction machinery and equipment
- Printing trades machinery
- Overhead cranes and hoists

#### Description

MICRO SWITCH™ E6 (side mount) and V6 (flange mount) switches are offered with or without actuator seal boots. Both have a combination insulator/seal cemented inside the bottom enclosure. Lead washers are used to seal the mounting holes on side mount switches. All side mount switches are installed with #6 screws, except the BZE6-2RN7 (#8 screws). Removal of the bottom enclosure exposes the terminals for easy wiring.

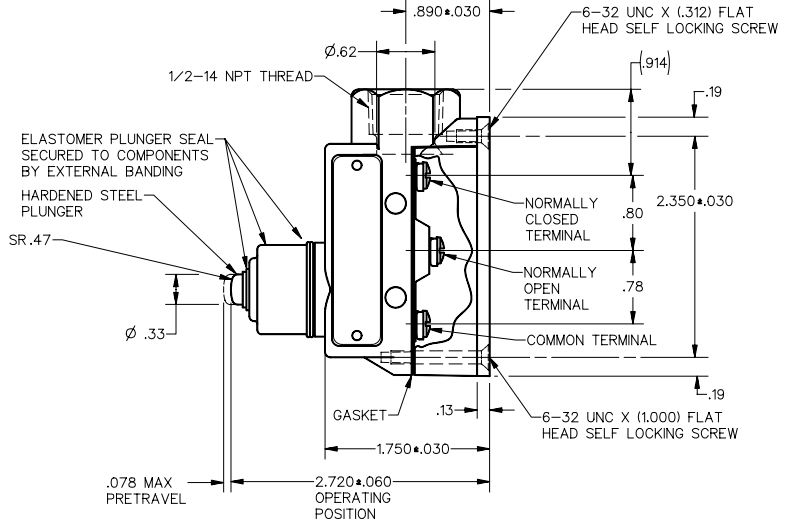
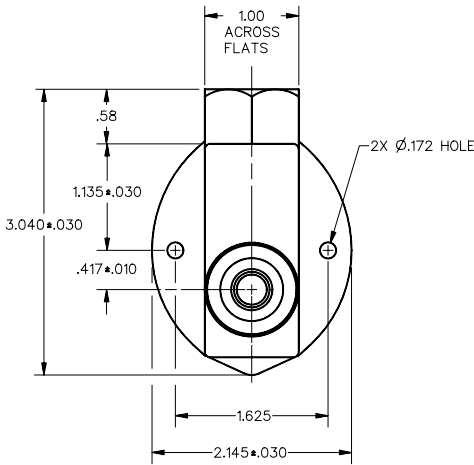
Product Specifications	
Availability	Global
Operating Force (O.F.)	2,50 N to 6,67 N [9 oz to 24 oz]
Release Force (R.F.)	1,11 N min. [4 oz min.]
Pretravel (P.T.)	1,98 mm max. [0.078 in max.]
Overtravel (O.T.)	5,56 mm min. [0.219 in min.]
Differential Travel (D.T.)	0,05 mm max. [0.002 in max.]
Product Type	Enclosed Switches
Actuator	Top Plunger
Circuitry	1NC 1NO SPDT Snap Action
Ampere Rating	15 A Ind./2 A Ind./0.5 A Res./0.25 A Res.
Supply Voltage	125 Vac, 250 Vac, 480 Vac/600 Vac/125 Vdc/250 Vdc
Housing Material	Zinc Die-Cast
Termination Type	0.5 in - 14NPT conduit
Housing Type	Split Housing, Flange Mount
Series Name	E6/V6
Sealing	NEMA 1, 3, 4 /IP66
Approvals	UL recognized, CSA certified
CSA File #	LR41372
UL File #	E12252
Operating Temperature Range	-32 °C to 71 °C [-25 °F to 160 °F]
Comment	With seal boot on plunger
UNSPSC Code	302119
UNSPSC Commodity	302119 Switches and controls and relays
Sealed	Industrial

**MICRO SWITCH**  
a Honeywell Division  
FED. MFG. CODE 91924

SWITCH - ENCLOSED

CATALOG LISTING  
**BZV6-2RN**

CATALOG LISTING BZV6-2RN  
 ISSUE 11  
 REVISIONS  
 A 10/25/92  
 B 01/27/92  
 C 12/01/93  
 D 12/01/93  
 E 12/01/93  
 F 12/01/93  
 G 12/01/93  
 H 12/01/93  
 I 12/01/93  
 J 12/01/93  
 K 12/01/93  
 L 12/01/93  
 M 12/01/93  
 N 12/01/93  
 O 12/01/93  
 P 12/01/93  
 Q 12/01/93  
 R 12/01/93  
 S 12/01/93  
 T 12/01/93  
 U 12/01/93  
 V 12/01/93  
 W 12/01/93  
 X 12/01/93  
 Y 12/01/93  
 Z 12/01/93  
 DDW/CAD  
 DRAWN  
 S A V 6 OCT 92 CHECK



THIS DRAWING COVERS A PROPRIETARY ITEM AND IS THE PROPERTY OF MICRO SWITCH, A DIVISION OF HONEYWELL. THIS DRAWING IS NOT TO BE COPIED OR USED WITHOUT THE APPROVAL OF MICRO SWITCH

THIRD ANGLE PROJECTION

CHARACTERISTICS	
OPERATING FORCE	9-24 OZ
RELEASE FORCE	4 OZ MIN
DIFFERENTIAL TRAVEL	.002 MAX
OVERTRAVEL	.219 MIN
BASIC SWITCH REPLACEMENT	BZ-2R077

ELECTRICAL DATA	
CONTACT ARRANGEMENT S P D T	
L74	15A 125, 250 OR 480 VAC 2A 600 VAC 1/8HP 125 VAC, 1/4HP 250 VAC 1/2A 125 VDC, 1/4A 250 VDC

SCALE	FULL
DO NOT SCALE PRINT	
UNLESS OTHERWISE SPECIFIED TOLERANCES ARE	
ONE PLACE	(.0) ±.030
TWO PLACE	(.00) ±.015
THREE PLACE	(.000) ±.005
ANGLES	±
WEIGHT	.62 LB

NOTE  
1 - 3X 6-32 UNC X (.219) BINDING HEAD TERMINAL SCREW AND CUPWASHER

ANSI Y14.5M-1982 APPLIES