



DTE6-2RN



Enclosed Switches Series E6: Top Plunger Actuator; 2NC 2NO DPDT Snap Action; 0.5 in - 14NPT conduit

Actual product appearance may vary.

Features

- Side or flange mount
- Momentary or maintained contact
- Grounding screw
- High capacity (22 amp) available
- Temperature range -32 °C to +71 °C [-25 °F to +160 °F]
- Zinc Die-Cast housing NEMA 1
- UL Recognized, file #E12252
- CSA Certified, file #LR41372
- NEMA 1, 3, 4 /IP66
- Pre-leaded or connector termination options

Potential Applications

- Packaging equipment
- Special machinery
- Textile machinery
- Conveyors
- Construction machinery and equipment
- Printing trades machinery
- Overhead cranes and hoists

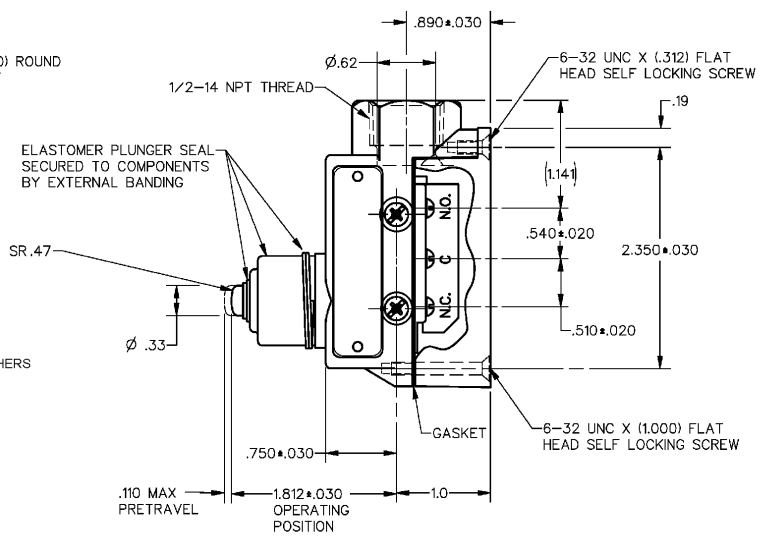
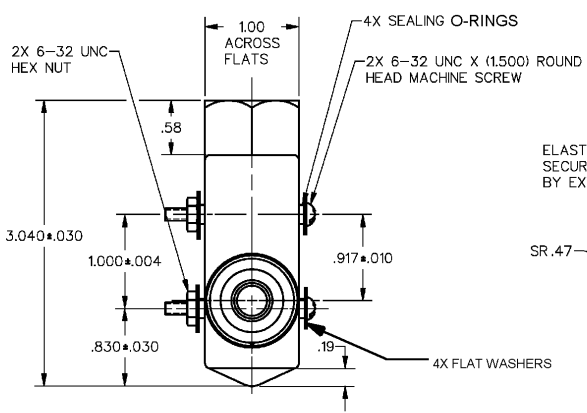
Description

MICRO SWITCH™ E6 (side mount) and V6 (flange mount) switches are offered with or without actuator seal boots. Both have a combination insulator/seal cemented inside the bottom enclosure. Lead washers are used to seal the mounting holes on side mount switches. All side mount switches are installed with #6 screws, except the BZE6-2RN7 (#8 screws). Removal of the bottom enclosure exposes the terminals for easy wiring.

Product Specifications	
Availability	Global
Operating Force (O.F.)	6,95 N to 16,4 N [25 oz to 59 oz]
Release Force (R.F.)	1,67 N min. [6 oz min.]
Pretravel (P.T.)	2,8 mm max. [0.110 in max.]
Overtravel (O.T.)	3,18 mm min. [0.125 in min.]
Differential Travel (D.T.)	1,52 mm min. [0.060 in min.]
Product Type	Enclosed Switches
Actuator	Top Plunger
Circuitry	2NC 2NO DPDT Snap Action
Ampere Rating	10 A Ind./0.3 A Res./0.15 A Res.
Supply Voltage	125 Vac, 250 Vac/125 Vdc/250 Vdc
Housing Material	Zinc Die-Cast
Termination Type	0.5 in - 14NPT conduit
Housing Type	Split Housing, Side Mount
Series Name	E6/V6
Sealing	NEMA 1, 3, 4 /IP66
Approvals	UL recognized, CSA certified
CSA File #	LR41372
UL File #	E12252
Operating Temperature Range	-32 °C to 71 °C [-25 °F to 160 °F]
Comment	With seal boot on plunger
UNSPSC Code	302119
UNSPSC Commodity	302119 Switches and controls and relays
Sealed	Industrial

DTE6-2RN
 CATALOG LISTING
 ISSUE M
 13
 REVISIONS
 A 100 000000
 B 100 000000
 C 100 000000
 D 0016895
 S A V B OCT 92
 DDM/CAD
 DRAWN
 S A V B OCT 92
 CHECK W L S 21 FEB 94
 INCH
 18 NOV 05
 BP
 18 NOV 05
 BP
 18 NOV 05
 BP

MICRO SWITCH
 a Honeywell Division
 FED. MFG. CODE 91925
SWITCH - ENCLOSED
 CATALOG LISTING
DTE6-2RN



NOTE
 1 - 6X 4-40 UNC X (.125) TERMINAL SCREW AND LOCKWASHER
 2 - SEAL RATING : NEMA 1.3
 IP 54

THIS DRAWING COVERS A PROPRIETARY ITEM AND IS THE PROPERTY OF MICRO SWITCH, A DIVISION OF HONEYWELL. THIS DRAWING IS NOT TO BE COPIED OR USED WITHOUT THE APPROVAL OF MICRO SWITCH		THIRD ANGLE PROJECTION
CHARACTERISTICS OPERATING FORCE --- 26-59 OZ DIFFERENTIAL TRAVEL --- .060 MAX OVERTRAVEL --- .125 MIN BASIC SWITCH REPLACEMENT --- DT-2R-A7	ELECTRICAL DATA CONTACT ARRANGEMENT D P D T L59 10A 125 OR 250 VAC 0.3A 125 VDC, 0.15A 250 VDC 	SCALE FULL DO NOT SCALE PRINT UNLESS OTHERWISE SPECIFIED TOLERANCES ARE ONE PLACE (.0) ± .030 TWO PLACE (.00) ± .015 THREE PLACE (.000) ± .005 ANGLES ± WEIGHT .56 LB

ANSI Y14.5M-1982 APPLIES