



V7-7B19D8-263



Actual product appearance may vary.

V7 Series Miniature Basic Switch, Single Pole Double Throw Circuitry, 11 A at 277 Vac, Simulated Roller Lever Actuator, 1,39 N [5.0 oz] Maximum Operating Force, Silver Contacts, Quick Connect Termination

V7 Series Features

- World-wide package size acceptance
- Current rating ranges from 0.1 A to 25 A
- Wiping contact action
- Temperature range to 177 °C [350 °F]
- Long mechanical life
- Elongated mounting holes for easier, more accurate mounting
- UL/CSA recognized, ENEC (European) approval available
- Choice of actuation, termination and operating characteristics

Potential Applications

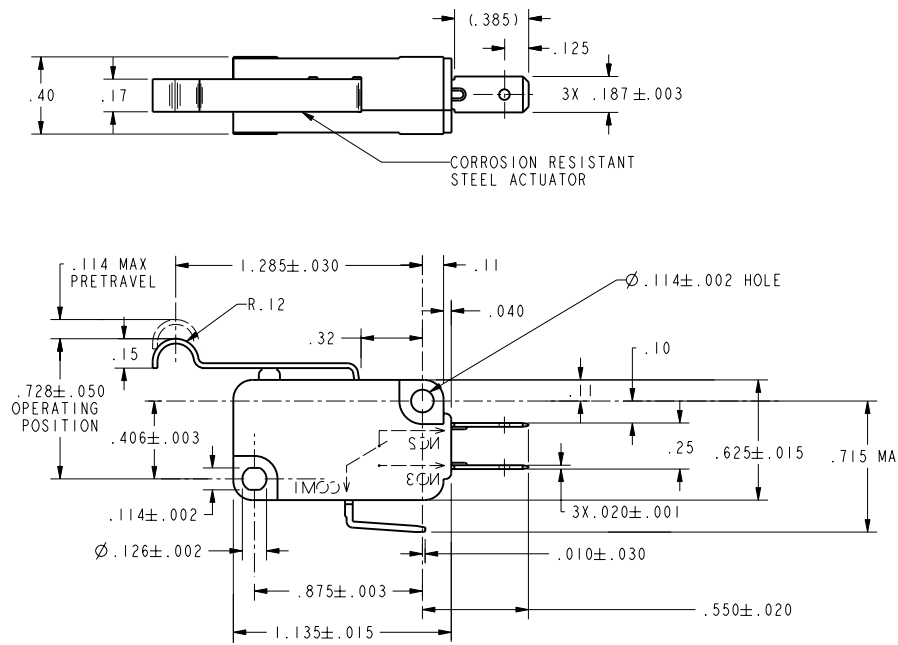
- Appliances
- Vending machines
- Timing devices
- Office equipment
- Computer/business equipment
- Test instruments
- Medical/dental equipment
- Communications equipment
- HVAC equipment
- Manually operated devices
- Valves
- Gaming equipment
- Pressure switches

Description

MICRO SWITCH™ V5 and V7 Series basic switches are used for simple or precision on/off, end of limit, presence/absence, pressure, temperature and manual operator interface application needs.

Product Specifications	
Switch Type	MICRO SWITCH™ Miniature 15,9 mm H x 10,2 mm W x 28,8 mm L [0.63 in H x 0.4 in W x 1.14 in L]
Sealed	No
Ampere Rating	11 A
Circuitry	Single Pole Double Throw (SPDT)
Actuator	Simulated Roller Lever
Termination	Quick Connect
Operating Temperature Range	-40 °C to 82 °C [-40 °F to 180 °F]
Voltage	277 Vac
Approvals	CSA,UL,ENEC
Actuator Length	32,8 mm [1.29 in]
Contact Type	Silver

Operating Force (O.F.)	1,39 N [5.0 oz] max.
Release Force (R.F.)	0,14 N [0.5 oz] min.
Pretravel (P.T.)	2,90 mm [0.114 in] max.
Overtravel (O.T.)	1,63 mm [0.064 in] min.
Differential Travel (D.T.)	0,81 mm [0.032] max.
Operating Position (O.P.)	18,5 ± 1,270 mm [0.728 ± 0.050 in]
Housing Material	PCT PolyesterThermoplastic
High Temperature	85 °C [185 °F]
CE mark	61058-1
UL File #	E12252
CSA File #	LR41370
Agency Approvals and Standards	1054
Mounting Centers	22,2 mm [0.88 in]
Maximum Tightening Torque	0,56 N m [5.0 in lb]
Weight	8 g [0.3 oz]
Package Height	16 mm [0.63 in]
Package Width	10,2 mm [0.40 in]
Package Length	27,7 mm [1.09 in]
Availability	Global
UNSPSC Code	30211905
UNSPSC Commodity	30211905 Snap switches
Series Name	V7



CHARACTERISTICS OPERATING FORCE ----- 5 OZ MAX RELEASE FORCE ----- 1/2 OZ MIN DIFFERENTIAL TRAVEL ----- .032 MAX OVERTRAVEL ----- .064 MIN RELEASE TRAVEL ----- .015 MIN		ELECTRICAL DATA CONTACT ARRANGEMENT S P D T L156 11A 1/3HP 125, 250 OR 277 VAC 1/2A 125 VDC, 1/4A 250 VDC 4A 125 VAC "L" 		UNLESS OTHERWISE SPECIFIED TOLERANCES ARE: <input checked="" type="checkbox"/> US (INCH) CUSTOMARY <input type="checkbox"/> SI (MM) METRIC NO PLACE X ±.040 ±1 ONE PLACE .X ±.030 ±0.4 TWO PLACE .XX ±.015 ±0.15 THREE PLACE .XXX ±.005 ± ANGLES ± ± RAW MATERIAL-COMMERCIAL STANDARD THIRD ANGLE PROJECTION 		DRAWN GJW 18JAN01 CHECK SAV 18JAN01 THIS DRAWING COVERS A PROPRIETARY ITEM AND IS THE PROPERTY OF HONEYWELL SENSING AND CONTROL. THIS DRAWING IS NOT TO BE COPIED OR USED WITHOUT THE PERMISSION OF HONEYWELL. DIMENSIONS ARE TO BE MET BEFORE PROTECTIVE COATINGS ARE APPLIED PTC 2D ASME Y14.5M-1994			Honeywell Sensing and Control SWITCH, BASIC DRAWING NAME V7-7B19D8-263 REV 4		SIZE DWG TYPE DRAWING NAME B M SCALE NONE WEIGHT SHEET 1 OF 1	
--	--	---	--	---	--	--	--	--	--	--	--	--