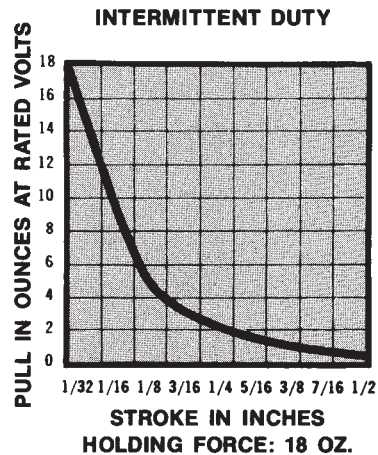
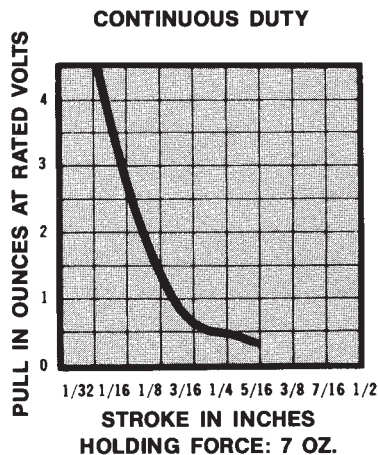


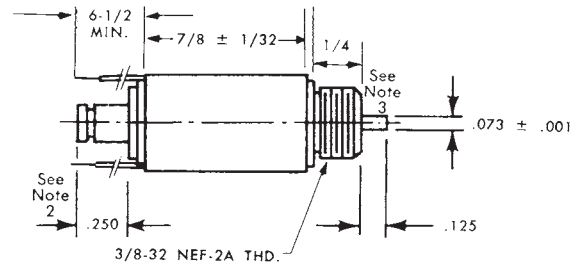
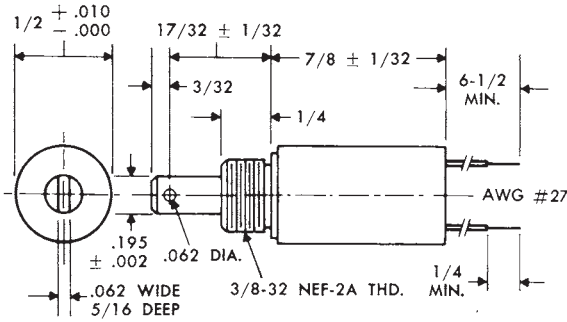
**Notes:**

1. Solenoid shown in energized position.
2. .250 Plunger configuration shown supplied for spring return only.
3. Largest size thread that may be threaded on push rod #0.
4. Push force approximately 90% of pull forces shown.

## Type C7-18

Specifications		Standard Coils		
<b>Size</b>	7/16" Diameter x 1 1/8" Long (From Mounting Surface)	<b>Nominal Volts (D.C.)</b>	<b>Resistance (OHMS ± 10%) at 25°C</b>	
<b>Weight</b>	1/2 Oz. Max.		<b>Continuous Duty</b>	<b>Intermittent Duty</b>
<b>Mounting</b>	5/16-32 Threaded Bushing (Nut and Lockwasher Supplied)	6	18	3.6
<b>Dielectric Strength</b>	500 VRMS	12	72	14.4
<b>Insulation Material</b>	Class "A" (105° C)	24	288	58.0
<b>Life Expectancy</b>	10 Million Cycles at Rated Load	110	6613	1323.0
<b>Nominal Coil Power</b>	Continuous Duty—2 Watts Intermittent Duty (10%)—10 Watts (One Minute Max. on Time)	Other Coils and Duty Cycles Available Upon Request		



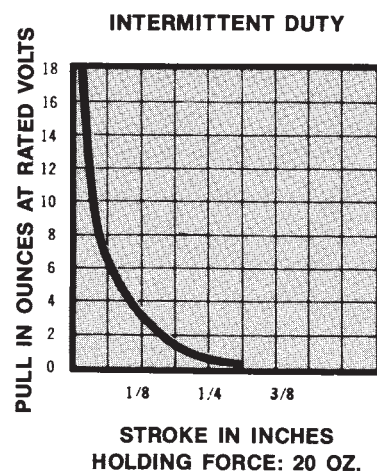
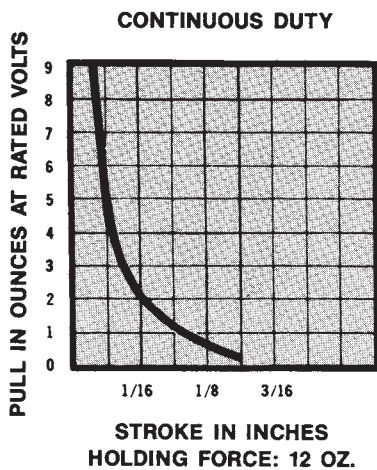


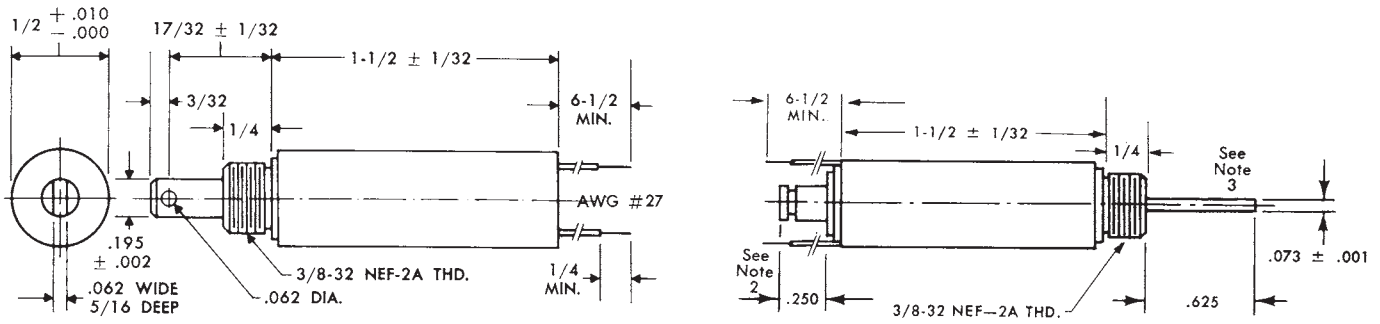
**Notes:**

1. Solenoid shown in energized position.
2. .250 Plunger configuration shown supplied for spring return only.
3. Largest size thread that may be threaded on push rod #1.
4. Push force approximately 90% of pull forces shown.

**Type C8-14**

Specifications		Standard Coils		
<b>Size</b>	1/2" Diameter x 7/8" Long (From Mounting Surface)	<b>Nominal Volts (D.C.)</b>	<b>Resistance (OHMS ± 10%) at 25°C</b>	
<b>Weight</b>	1 Oz. Max.		<b>Continuous Duty</b>	<b>Intermittent Duty</b>
<b>Mounting</b>	3/8-32 Threaded Bushing (Nut and Lockwasher Supplied)	6	15	5.0
<b>Dielectric Strength</b>	500 VRMS	12	60	20.6
<b>Insulation Material</b>	Class "A" (105° C)	24	240	82.0
<b>Life Expectancy</b>	10 Million Cycles at Rated Load	110	5510	1890.0
<b>Nominal Coil Power</b>	Continuous Duty—2.4 Watts Intermittent Duty (10%)—7 Watts (One Minute Max. on Time)	Other Coils and Duty Cycles Available Upon Request		



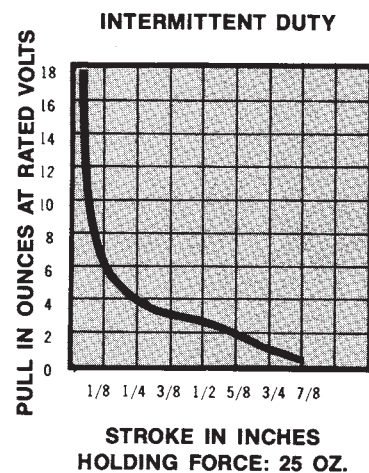
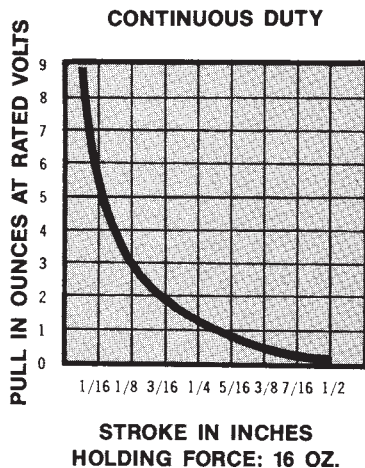


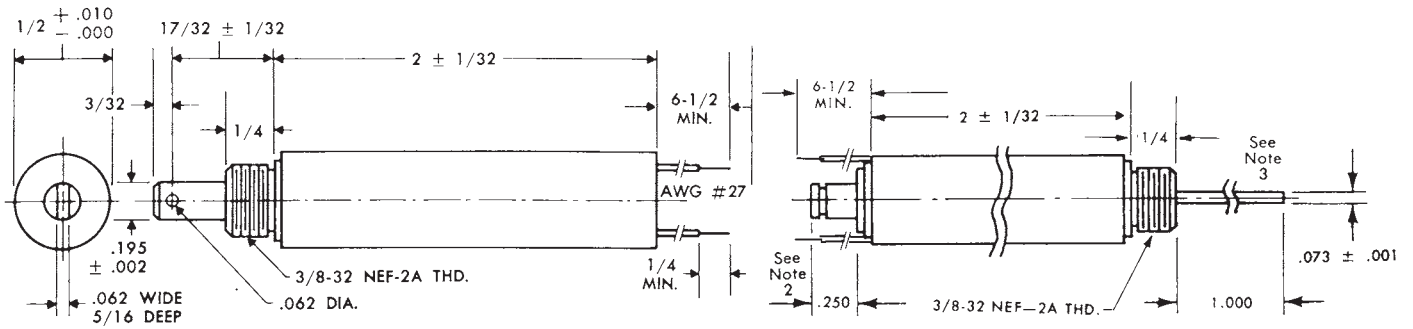
**Notes:**

1. Solenoid shown in energized position.
2. .250 Plunger configuration shown supplied for spring return only.
3. Largest size thread that may be threaded on push rod #1.
4. Push force approximately 90% of pull forces shown.

## Type C8-24

Specifications		Standard Coils		
<b>Size</b>	1/2" Diameter x 1 1/2" Long (From Mounting Surface)	<b>Nominal Volts (D.C.)</b>	<b>Resistance (OHMS ± 10%) at 25°C</b>	
<b>Weight</b>	1 1/2 Oz. Max.		<b>Continuous Duty</b>	<b>Intermittent Duty</b>
<b>Mounting</b>	3/8-32 Threaded Bushing (Nut and Lockwasher Supplied)	6	10.3	2.4
<b>Dielectric Strength</b>	500 VRMS	12	41.0	9.6
<b>Insulation Material</b>	Class "A" (105° C)	24	165.0	38.5
<b>Life Expectancy</b>	10 Million Cycles at Rated Load	110	3780.0	882.0
<b>Nominal Coil Power</b>	Continuous Duty—3.5 Watts Intermittent Duty (10%)—15 Watts (One Minute Max. on Time)	Other Coils and Duty Cycles Available Upon Request		



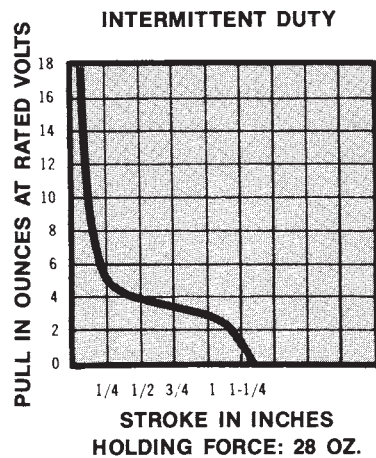
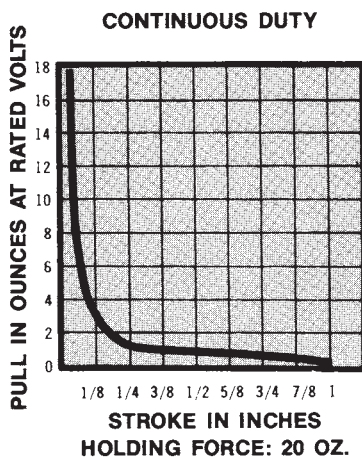


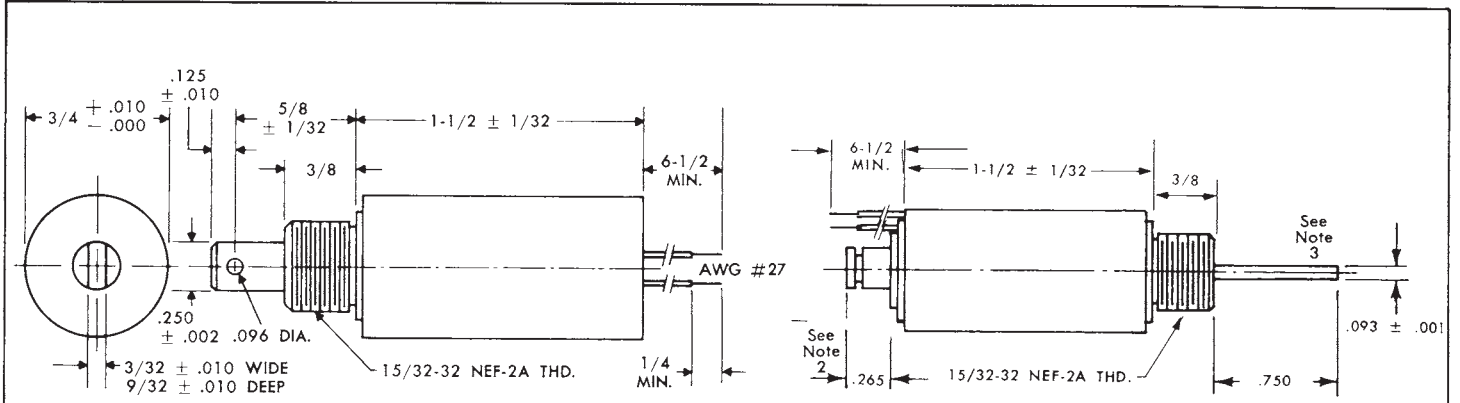
**Notes:**

1. Solenoid shown in energized position.
2. .250 Plunger configuration shown supplied for spring return only.
3. Largest size thread that may be threaded on push rod #1.
4. Push force approximately 90% of pull forces shown.

**Type C8-32**

Specifications		Standard Coils		
<b>Size</b>	1/2" Diameter x 2" Long (From Mounting Surface)	<b>Nominal Volts (D.C.)</b>	<b>Resistance (OHMS ± 10%) at 25°C</b>	
<b>Weight</b>	2 Oz. Max.		<b>Continuous Duty</b>	<b>Intermittent Duty</b>
<b>Mounting</b>	3/8-32 Threaded Bushing (Nut and Lockwasher Supplied)	6	9	1.8
<b>Dielectric Strength</b>	500 VRMS	12	36	7.2
<b>Insulation Material</b>	Class "A" (105° C)	24	145	29.0
<b>Life Expectancy</b>	10 Million Cycles at Rated Load	110	3306	661.0
<b>Nominal Coil Power</b>	Continuous Duty—4 Watts Intermittent Duty (10%)—20 Watts (One Minute Max. on Time)	Other Coils and Duty Cycles Available Upon Request		



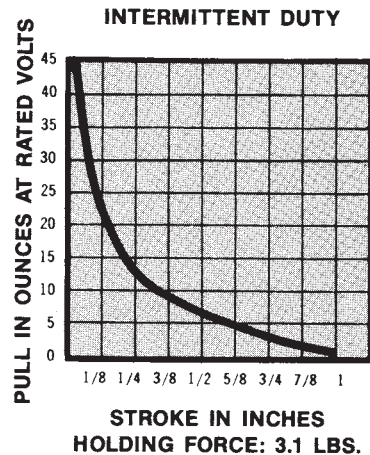
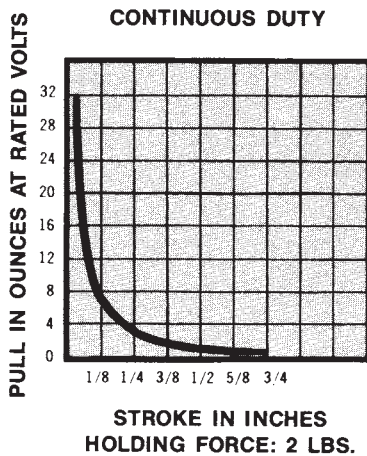


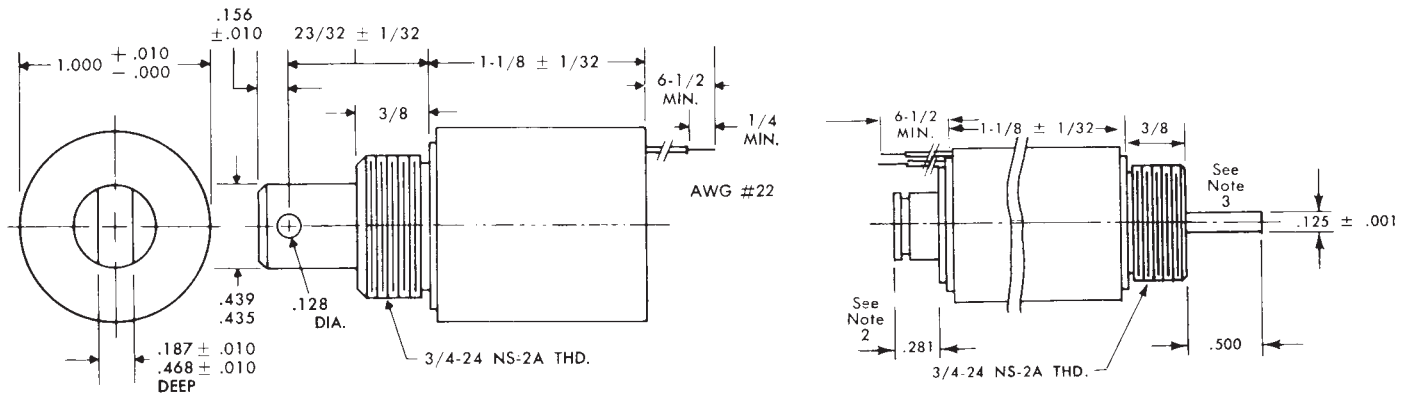
**Notes:**

1. Solenoid shown in energized position.
2. .265 Plunger configuration shown supplied for spring return only.
3. Largest size thread that may be threaded on push rod #3.
4. Push force approximately 90% of pull forces shown.

## Type C12-24

Specifications		Standard Coils		
<b>Size</b>	3/4" Diameter x 1 1/2" Long (From Mounting Surface)	<b>Nominal Volts (D.C.)</b>	<b>Resistance (OHMS ± 10%) at 25°C</b>	
<b>Weight</b>	3 Oz. Max.		<b>Continuous Duty</b>	<b>Intermittent Duty</b>
<b>Mounting</b>	15/32-32 Threaded Bushing (Nut and Lockwasher Supplied)	6	10.3	1.6
<b>Dielectric Strength</b>	500 VRMS	12	41.0	6.5
<b>Insulation Material</b>	Class "A" (105° C)	24	165.0	26.0
<b>Life Expectancy</b>	10 Million Cycles at Rated Load	110	3780.0	600.0
<b>Nominal Coil Power</b>	Continuous Duty—3.5 Watts Intermittent Duty (10%)—22 Watts (One Minute Max. on Time)	Other Coils and Duty Cycles Available Upon Request		



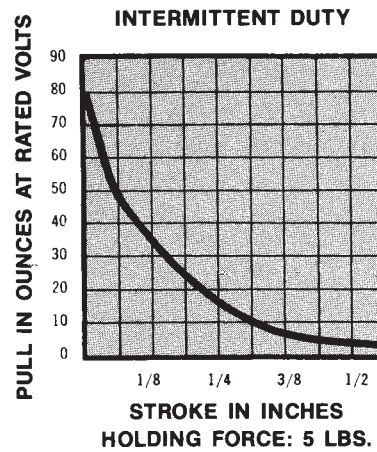
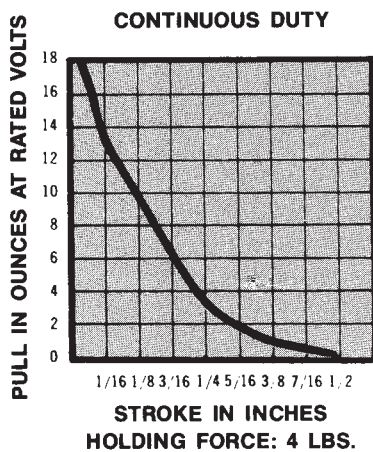


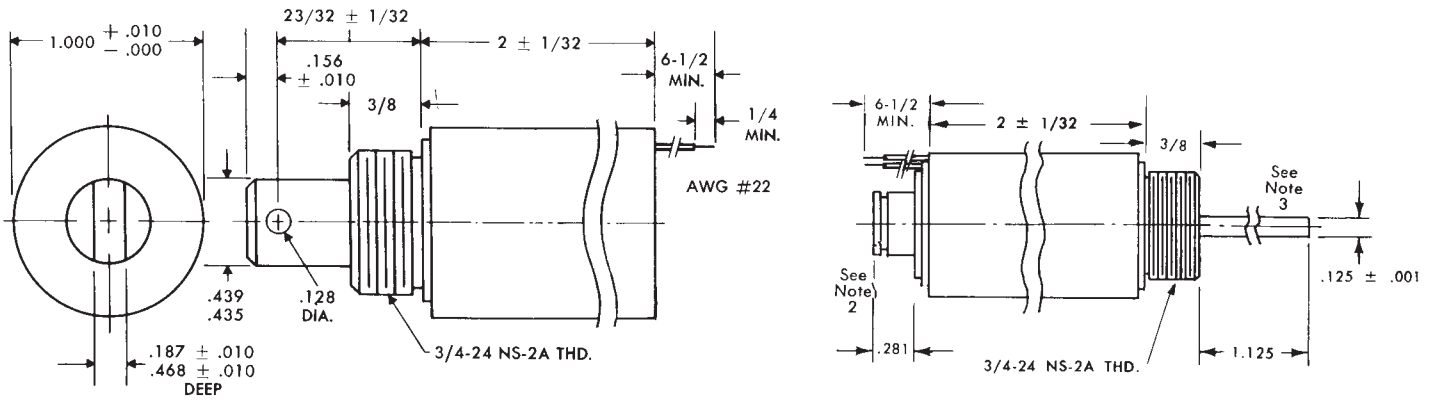
**Notes:**

1. Solenoid shown in energized position.
2. .281 Plunger configuration shown supplied for spring return only.
3. Largest size thread that may be threaded on push rod #5.
4. Push force approximately 90% of pull forces shown.

**Type C16-18**

Specifications		Standard Coils		
<b>Size</b>	1" Diameter x 1 1/8" Long (From Mounting Surface)	<b>Nominal Volts (D.C.)</b>	<b>Resistance (OHMS ± 10%) at 25°C</b>	
<b>Weight</b>	4 Oz. Max.		<b>Continuous Duty</b>	<b>Intermittent Duty</b>
<b>Mounting</b>	3/4-24 Threaded Bushing (Nut and Lockwasher Supplied)	6	9	1.9
<b>Dielectric Strength</b>	500 VRMS	12	36	7.6
<b>Insulation Material</b>	Class "A" (105° C)	24	144	30.0
<b>Life Expectancy</b>	10 Million Cycles at Rated Load	110	3306	696.0
<b>Nominal Coil Power</b>	Continuous Duty—4 Watts Intermittent Duty (10%)—19 Watts (One Minute Max. on Time)	Other Coils and Duty Cycles Available Upon Request		



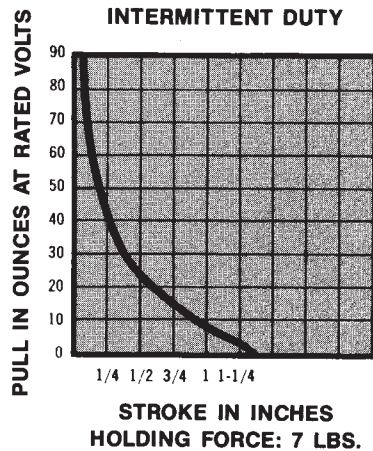
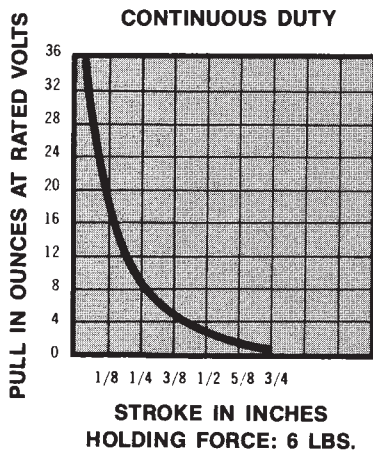


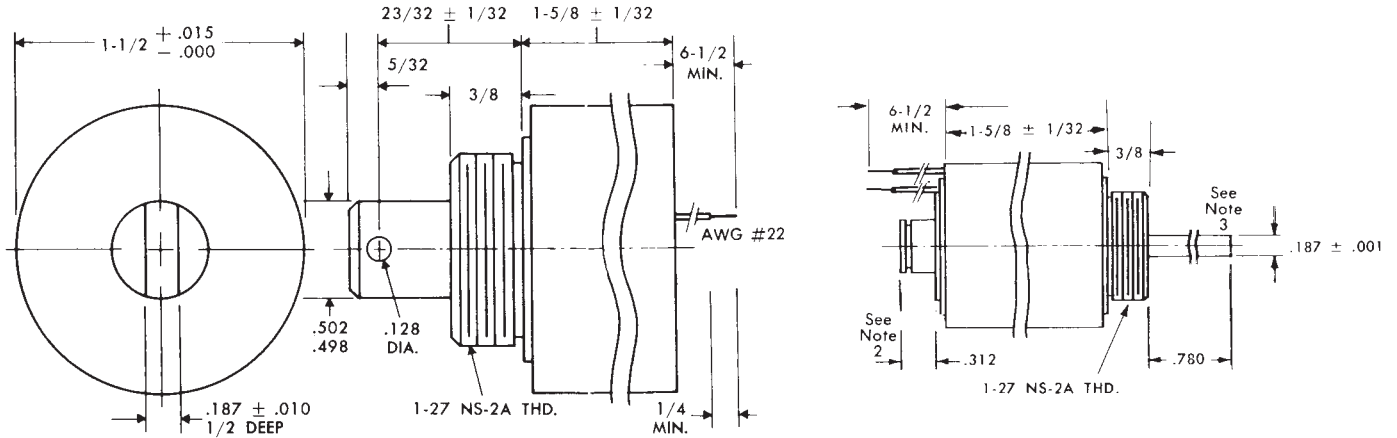
**Notes:**

1. Solenoid shown in energized position.
2. .281 Plunger configuration shown supplied for spring return only.
3. Largest size thread that may be threaded on push rod #5.
4. Push force approximately 90% of pull forces shown.

**Type C16-32**

Specifications		Standard Coils		
<b>Size</b>	1" Diameter x 2" Long (From Mounting Surface)	<b>Nominal Volts (D.C.)</b>	<b>Resistance (OHMS ± 10%) at 25°C</b>	
<b>Weight</b>	5½ Oz. Max.		<b>Continuous Duty</b>	<b>Intermittent Duty</b>
<b>Mounting</b>	¾-24 Threaded Bushing (Nut and Lockwasher Supplied)	6	6.5	.95
<b>Dielectric Strength</b>	500 VRMS	12	26.0	3.80
<b>Insulation Material</b>	Class "A" (105° C)	24	105.0	15.00
<b>Life Expectancy</b>	10 Million Cycles at Rated Load	110	2405	348.0
<b>Nominal Coil Power</b>	Continuous Duty—5.5 Watts Intermittent Duty (10%)—38 Watts (One Minute Max. on Time)	Other Coils and Duty Cycles Available Upon Request		



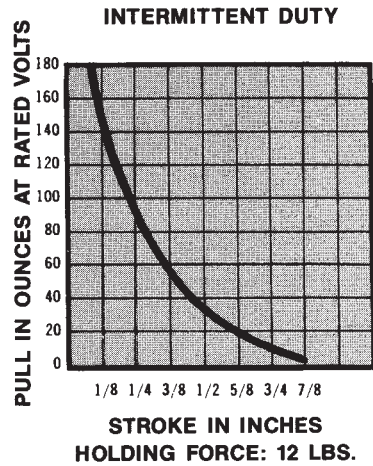
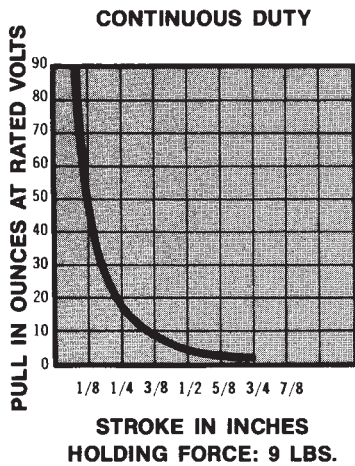


**Notes:**

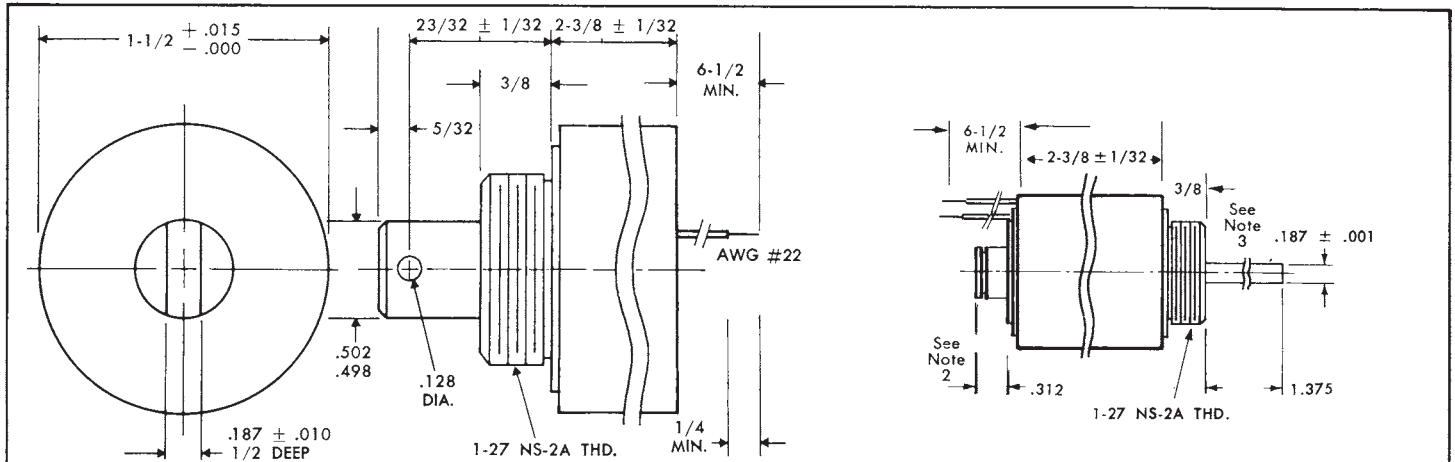
1. Solenoid shown in energized position.
2. .312 Plunger configuration shown supplied for spring return only.
3. Largest size thread that may be threaded on push rod #10.
4. Push force approximately 90% of pull forces shown.

**Type C24-26**

Specifications		Standard Coils		
<b>Size</b>	1½" Diameter x 1⅝" Long (From Mounting Surface)	<b>Nominal Volts (D.C.)</b>	<b>Resistance (OHMS ± 10%) at 25°C</b>	
<b>Weight</b>	10 Oz. Max.		<b>Continuous Duty</b>	<b>Intermittent Duty</b>
<b>Mounting</b>	1-27 Threaded Bushing (Nut and Lockwasher Supplied)	6	5.0	.9
<b>Dielectric Strength</b>	500 VRMS	12	20.6	3.6
<b>Insulation Material</b>	Class "A" (105° C)	24	82.0	14.0
<b>Life Expectancy</b>	10 Million Cycles at Rated Load	110	1890.0	331.0
<b>Nominal Coil Power</b>	Continuous Duty—7 Watts Intermittent Duty (10%)—40 Watts (One Minute Max. on Time)	Other Coils and Duty Cycles Available Upon Request		







**Notes:**

1. Solenoid shown in energized position.
2. .312 Plunger configuration shown supplied for spring return only.
3. Largest size thread that may be threaded on push rod #10.
4. Push force approximately 90% of pull forces shown.

**Type C24-38**

Specifications		Standard Coils		
<b>Size</b>	1½" Diameter x 2¾" Long (From Mounting Surface)	<b>Nominal Volts (D.C.)</b>	<b>Resistance (OHMS ± 10%) at 25°C</b>	
<b>Weight</b>	18 Oz. Max.		<b>Continuous Duty</b>	<b>Intermittent Duty</b>
<b>Mounting</b>	1-27 Threaded Bushing (Nut and Lockwasher Supplied)	6	3.6	.6
<b>Dielectric Strength</b>	500 VRMS	12	14.5	2.4
<b>Insulation Material</b>	Class "A" (105° C)	24	58.0	9.6
<b>Life Expectancy</b>	10 Million Cycles at Rated Load	110	1323.0	220.0
<b>Nominal Coil Power</b>	Continuous Duty—10 Watts Intermittent Duty (10%)—60 Watts (One Minute Max. on Time)	Other Coils and Duty Cycles Available Upon Request		

