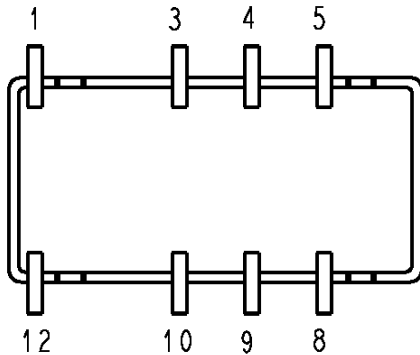
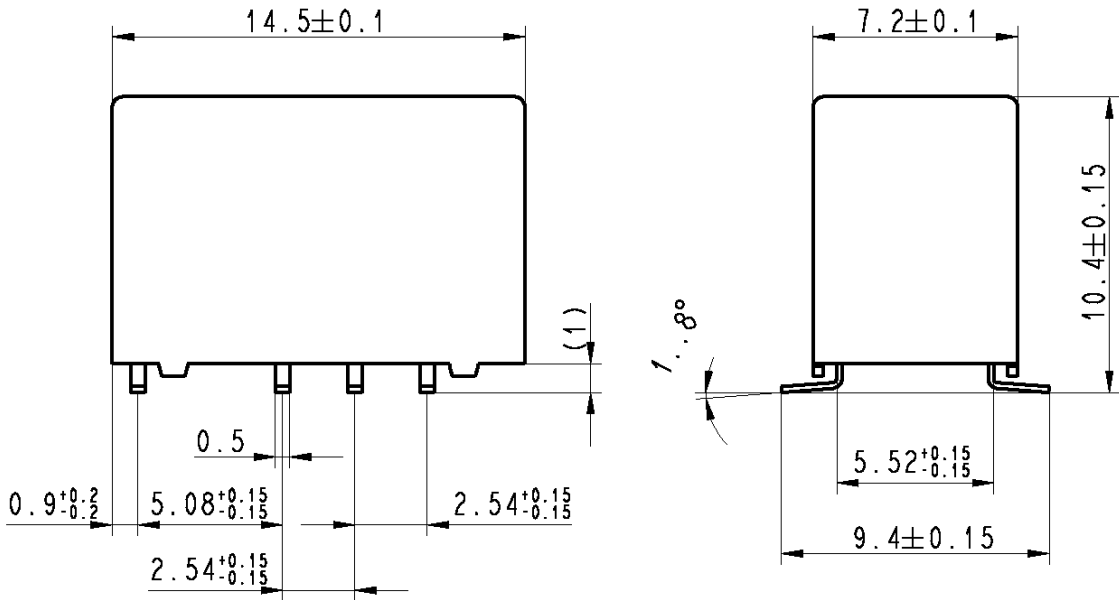


LOC	DIST	REVISIONS					
HJ	-	P	LTR	DESCRIPTION	DATE	DWN	APVD
		C2		REVISED PER ECO-11-005150	25MAR11	RK	HMR



Relay - bottom view



xxxxx = Relay type
YYWW = Date code

THIS DRAWING IS UNPUBLISHED.
 ALL RIGHTS RESERVED.
 BY -
 © COPYRIGHT

DRAWING ALIAS C23303-A079-A004

DIMENSIONS: mm	DWN	02Jun2004	MATERIAL	FINISH
	CHK	02Jun2004		
TOLERANCES UNLESS OTHERWISE SPECIFIED: DIN 7168-m	APVD	02Jun2004	TE Connectivity	
	PRODUCT SPEC			
0 PLC ±-	APPLICATION SPEC		NAME P2-Relay SMT W Dimensions	
1 PLC ±			SIZE	CAGE CODE
2 PLC ±			A4	00779
3 PLC ±			DRAWING NO C-1393788-4	
4 PLC ±			RESTRICTED TO	
ANGLES ±-	WEIGHT	-		
	CUSTOMER DRAWING		SCALE	SHEET
			4:1	1 OF 1
			REV	C2