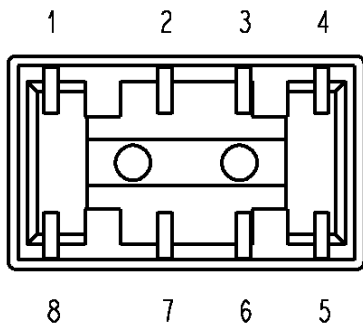
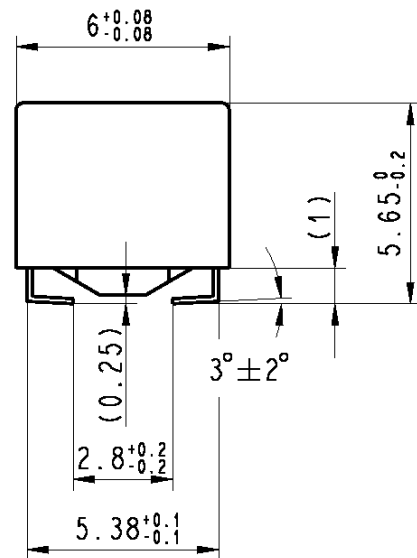
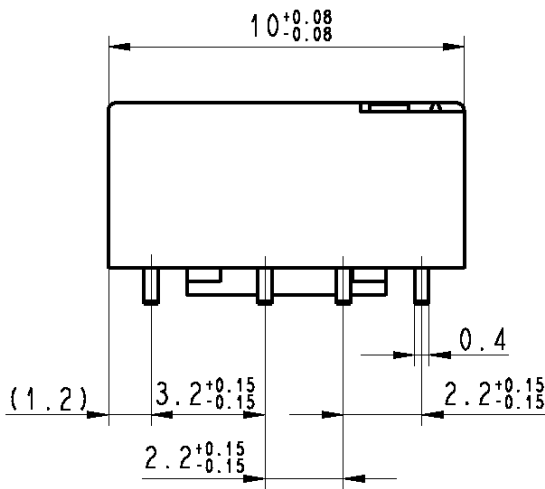


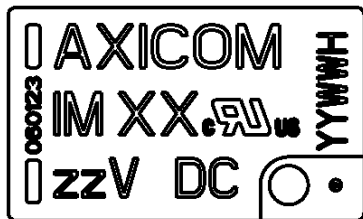
LOC	DIST	REVISIONS					
HJ	-	P	LTR	DESCRIPTION	DATE	DWN	APVD
			A8	REVISED PER ECO-11-005150	25MAR11	RK	HMR



Relay - bottom view



Coplanarity <0.10mm



XX = Relay type
 ZZ = nominal voltage
 YYWW = Date code

THIS DRAWING IS UNPUBLISHED. ALL RIGHTS RESERVED. © COPYRIGHT BY -

DRAWING ALIAS E2001-DOK02

DIMENSIONS: mm TOLERANCES UNLESS OTHERWISE SPECIFIED: DIN 7168-m 0 PLC ±- 1 PLC ±- 2 PLC ±- 3 PLC ±- 4 PLC ±- ANGLES ±-	DWN UKo 9193 08Aug1998 CHK HD 9121 08Aug1998 APVD HD 9121 08Aug1998	MATERIAL -	FINISH -
	PRODUCT SPEC - APPLICATION SPEC - WEIGHT -	TE TE Connectivity NAME IM-Relay SMT J-Legs Dimensions	
CUSTOMER DRAWING		SCALE 5:1	SHEET 1 OF 1 REV A8