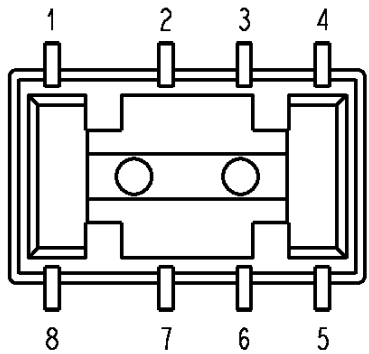
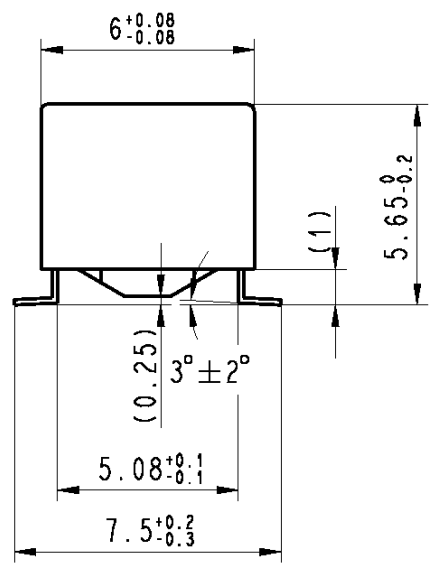
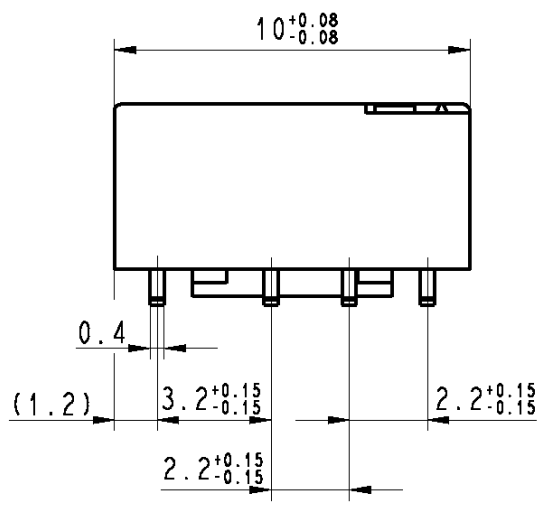


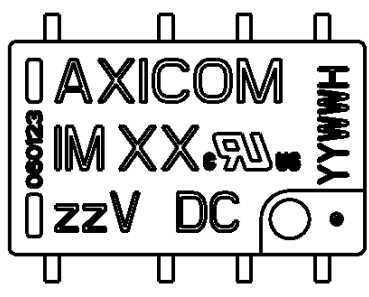
LOC	DIST	REVISIONS					
HJ	-	P	LTR	DESCRIPTION	DATE	DWN	APVD
		A8		REVISED PER ECO-11-005150	25MAR11	RK	HMR



Relay - bottom view



Coplanarity < 0.10mm



XX = Relay type  
 ZZ = nominal voltage  
 YYWW = Date code

THIS DRAWING IS UNPUBLISHED. ALL RIGHTS RESERVED. BY - © COPYRIGHT

DRAWING ALIAS E2000-DOK02

DIMENSIONS: mm	DWN UK 9193	20Jan1999	MATERIAL	FINISH
	CHK HD 9121	20Jan1999	TE Connectivity	
TOLERANCES UNLESS OTHERWISE SPECIFIED: DIN 7168-m	APVD HD 9121	20Jan1999		
0 PLC ±-	PRODUCT SPEC	-	SIZE A4	CAGE CODE 00779
1 PLC ±-	APPLICATION SPEC	-	DRAWING NO	G-1462037-2
2 PLC ±-	WEIGHT	-	RESTRICTED TO	-
3 PLC ±-	CUSTOMER DRAWING		SCALE	5:1
4 PLC ±-			SHEET	1 OF 1
ANGLES ±-			REV	A8

