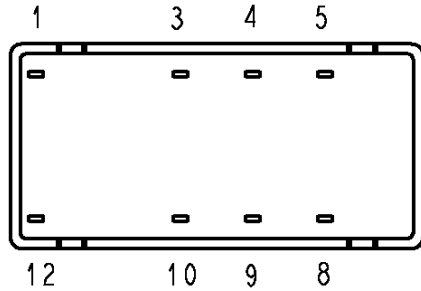
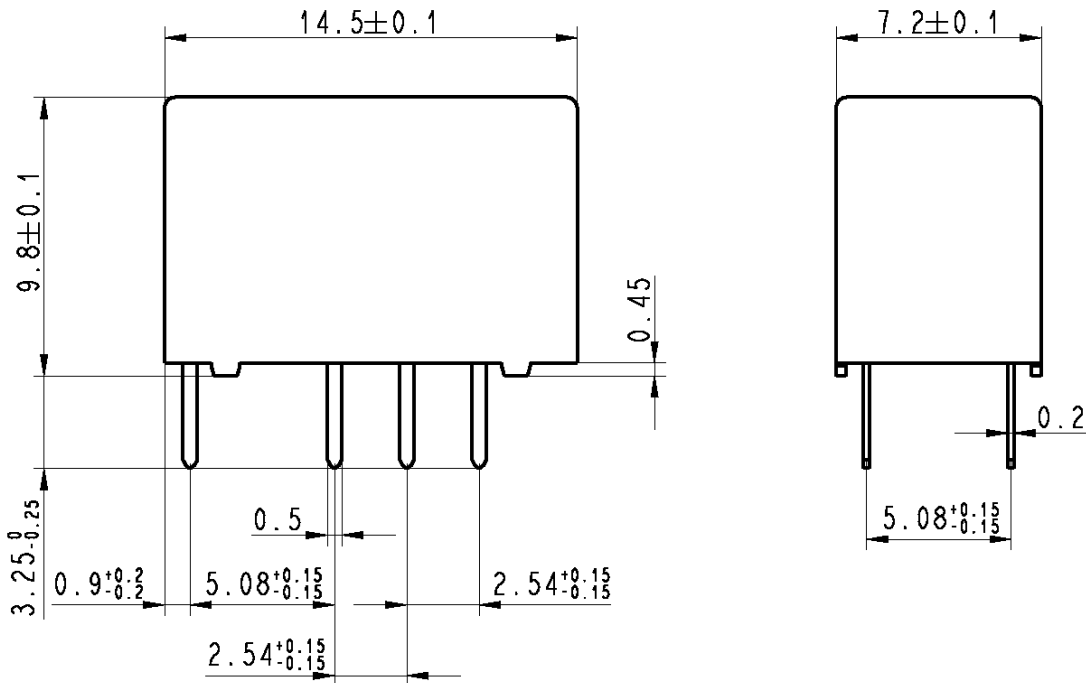


LOC	DIST	REVISIONS					
HJ	-	P	LTR	DESCRIPTION	DATE	DWN	APVD
			C2	REVISED PER ECO-11-005150	25MAR11	RK	HMR



Relay - bottom view



AXICOM E040001
P2 YYWW
V23079-xxxxx-B301

xxxxx = Relay type
 YYWW = Date code

THIS DRAWING IS UNPUBLISHED.
 ALL RIGHTS RESERVED.
 © COPYRIGHT BY -

DRAWING ALIAS C23303-A079-A001

DIMENSIONS: mm	DWN	02Jun2004	MATERIAL	FINISH
	CHK	02Jun2004		
TOLERANCES UNLESS OTHERWISE SPECIFIED: DIN 7168-m	APVD	02Jun2004	TE Connectivity	
	PRODUCT SPEC			
0 PLC ±-	APPLICATION SPEC		NAME P2-Relay THT Dimensions	
1 PLC ±			SIZE	CAGE CODE
2 PLC ±			A4	00779
3 PLC ±			DRAWING NO C-1393788-2	
4 PLC ±			RESTRICTED TO	
ANGLES ±-	WEIGHT	-		
	CUSTOMER DRAWING		SCALE	4:1
			SHEET	1 OF 1
			REV	C2