



# IAC/OAC IDC/ODC

## Input/Output Modules

File E81606 & E29244

File LR38595M77

Users should thoroughly review the technical data before selecting a product part number. It is recommended that users also seek out the pertinent approvals files of the agencies/laboratories and review them to ensure the product meets the requirements for a given application.

### Features

- Industry standard package and pin-out.
- Color coded by function.
- 4,000V rms optical isolation.
- High immunity to false operation.
- Series compatible.
- Output modules can be controlled from sinking or sourcing logic.
- Compatible with 2IO series mounting boards.

### Engineering Data (all I/O modules)

**Switch Form:** 1 Form A (SPST-NO)  
**Duty:** Continuous.  
**Isolation:** 4,000V rms, 60 Hz.  
**Capacitance:** 8 pF Typical (input to output).  
**Operating Temperature:** -30°C to +80°C.  
**Storage Temperature:** -40°C to +85°C.  
**Potting Compound Flammability:** UL94V-0.  
**Approximate Weight:** 1.38 oz. (35g).

### Ordering Information

Typical Part Number ►

OAC

-5

H

#### 1. Basic Series:

IAC = AC input module - yellow case  
 IDC = DC input module - white case  
 OAC = AC output module - black case  
 ODC = DC output module - red case

#### 2. Input or Logic Voltage:

5 = 5VDC  
 15 = 15VDC  
 24 = 24VDC

#### 3. Options:

Blank = IAC Type — 120VAC/VDC input (90-140VAC/VDC) \* \*  
           IDC Type — 3.3-32VDC input \* \*  
           OAC Type — 3A, 24-280VAC, zero voltage turn-on output  
           ODC Type — 3A, 3-60VDC output  
 A = IAC Type — 240VAC/VDC input (180-280VAC/VDC) \* \*  
       OAC Type — 3A, 24-280VAC, zero voltage turn-on output  
       ODC Type — 1A, 3-250VDC output  
       IDC Type — 10-60VDC input \* \*  
 E = IAC Type — 18-36VAC/VDC input \* \*  
 F = IDC Type — 4-32VDC input & fast turn-on & turn-off times \* \*  
 H = OAC Type — 5A, 24-280VAC, zero voltage turn-on output  
 R = OAC Type — 5A, 12-280VAC, random voltage turn-on output

\* \* Is not polarity sensitive.

Our authorized distributors are more likely to maintain the following items in stock for immediate delivery.

IAC-5	IDC-24	OAC-24A
IAC-5A	OAC-5	ODC-5
IAC-5E	OAC-5A	ODC-5A
IAC-15	OAC-5H	ODC-15
IAC-24	OAC-15	ODC-15A
IDC-5	OAC-24	ODC-24

# IAC

## AC Input Modules

### Input Specifications

Parameter	Conditions	Units	IAC-5 IAC-15 IAC-24			IAC-5A IAC-15A IAC-24A			IAC-5E IAC-15E IAC-24E		
			Min.	Typ.	Max.	Min.	Typ.	Max.	Min.	Typ.	Max.
Control Voltage Range $V_{IN}$		VAC/VDC	90	120	140	180	240	280	18	24	36
Must Operate Voltage $V_{IN(OP)}$		VAC/VDC	90			180			18		
Must Release Voltage $V_{IN(REL)}$		VAC/VDC	20			20			3		
Max. Input Current	@ $V_{IN}=Max.$	mA	6			6			18		
Input Resistance		Ohms	28K			75K			2K		

### Output Specifications (@ +25°C unless otherwise specified)

Parameter	Conditions	Units	IAC-5 IAC-5A IAC-5E			IAC-15 IAC-15A IAC-15E			IAC-24 IAC-24A IAC-24E		
			Min.	Typ.	Max.	Min.	Typ.	Max.	Min.	Typ.	Max.
Maximum Output Voltage		VDC	30			30			30		
Maximum Output Current		mADC	50			50			50		
Maximum Output Leakage Current	$V_{OUT}=Max.$	$\mu$ ADC	10			10			10		
Maximum Output Voltage Drop	$I_{SINK}=50mA$	VDC	.2			.2			.2		
Logic Supply Voltage $V_{CC}$		VDC	3	5	6	12	15	18	20	24	30
Logic Supply Current	$V_{CC}=Max.$	mADC	18			18			18		
Turn-On Time (Nominal)	$I_{SINK}=25mA$	ms	20			20			20		
Turn-Off Time (Nominal)	$I_{SINK}=25mA$	ms	30			30			30		
Output Type (Open Collector)			Normally Open <sub>(SINKING)</sub>			Normally Open <sub>(SINKING)</sub>			Normally Open <sub>(SINKING)</sub>		

# OAC

## AC Output Modules

### Input Specifications

Parameter	Conditions	Units	OAC-5 OAC-5A OAC-5H OAC-5R			OAC-15 OAC-15A OAC-15H OAC-15R			OAC-24 OAC-24A OAC-24H OAC-24R		
			Min.	Typ.	Max.	Min.	Typ.	Max.	Min.	Typ.	Max.
Control Voltage Range $V_{IN}$		VDC	3	5	8	9	15	18	18	24	32
Must Operate Voltage $V_{IN(OP)}$		VDC	3			9			18		
Must Release Voltage $V_{IN(REL)}$		VDC	1			1			1		
Maximum Input Current	@ $V_{IN}=Nominal$	mADC	20			16			13		
Input Resistance $R_{IN}$		Ohms	220			1000			2000		

PIN-3 must be positive with respect to PIN-4 for correct operation.

### Output Specifications (47 to 63 Hz., @ +25°C unless otherwise specified)

Parameter	Conditions	Units	OAC-5 OAC-5A OAC-15 OAC-15A OAC-24 OAC-24A			OAC-5H IAC-15H OAC-24H			OAC-5R OAC-15R OAC-24R		
			Min.	Typ.	Max.	Min.	Typ.	Max.	Min.	Typ.	Max.
Load Voltage $V_L$		V rms	24	120/240	280	24	120/240	280	24	120/240	280
Repetitive Blocking Voltage		V peak	±600			±600			±600		
Load Current $I_L^*$		A rms	.05		3	.05		5	.05		5
Output Current Derating		$mA/^\circ C$	58 $mA/^\circ C$			66 $mA/^\circ C$			66 $mA/^\circ C$		
Single Cycle surge Current		A peak	100			250			250		
Leakage Current (Off-State) @ 60 Hz.	$V_L=120VAC$	mA rms	1			1			1		
	$V_L=240VAC$	mA rms	2			2			2		
On-State Voltage Drop	$I_L=Max.$	V peak	1.6			1.6			1.6		
Static dv.dt (Off-State)		V/ $\mu s$	200			200			200		
Turn-On Time	@f=60 Hz.	ms	8.3			8.3			.1		
Turn-Off Time		ms	8.3			8.3			8.3		
Output Type (Form)			Normally Open 1A			Normally Open 1A			Normally Open 1A		
H/P/ Rating @ 240VAC			1/4HP			1/2HP			1/2HP		

# IDC DC Input Modules

## Input Specifications

Parameter	Conditions	Units	IDC-5 IDC-15 IDC-24			IDC-5A IDC-15A IDC-24A			IDC-5F IDC-15F IDC-24F		
			Min.	Typ.	Max.	Min.	Typ.	Max.	Min.	Typ.	Max.
Control Voltage Range $V_{IN}$		VDC	±3.3	±24	±32	±10		±60	±4		±32
Must Operate Voltage $V_{IN(OP)}$		VDC			±3.3			±10			±4
Must Release Voltage $V_{IN(REL)}$		VDC	±2			±3			±1		
Maximum Input Current	@ $V_{IN}=Max.$	mA		34			34			68	
Input Resistance		Ohms		1K			2K			500	

## Output Specifications (@ +25°C unless otherwise specified)

Parameter	Conditions	Units	IDC-5 IDC-5A			IDC-15 IDC-15A			IDC-24 IDC-24A			IDC-5F			IDC-15F			IDC-24F		
			Min	Typ	Max	Min	Typ	Max	Min	Typ	Max	Min	Typ	Max	Min	Typ	Max	Min	Typ	Max
Maximum Output Voltage		VDC			30			30			30			30			30			30
Maximum Output Current		mADC			50			50			50			50			50			50
Maximum Output Leakage Current	$V_{OUT}=Max.$	µADC			10			10			10			10			10			10
Maximum Output Voltage Drop	$I_{SINK}=50mA$	VDC			.2			.2			.2			.2			.2			.2
Logic Supply Voltage $V_{CC}$		VDC	3	5	6	12	15	18	20	24	30	3	5	6	12	15	18	20	24	30
Logic Supply Current	$V_{CC}=Max.$	mADC			18			18			18			18			18			18
Turn-On Time (Nominal)	$I_{SINK}=25mA$	ms		1*			1*			1*			.05		.05		.05			.05
Turn-Off Time (Nominal)	$I_{SINK}=25mA$	ms		1*			1*			1*			.10		.10		.10			.10
Output Type (Open Collector)			Normally Open (SINKING)			Normally Open (SINKING)			Normally Open (SINKING)			Normally Open (SINKING)			Normally Open (SINKING)			Normally Open (SINKING)		

\* Nominal Turn-On and Turn-Off times for IDC5A, IDC15A & IDC24A are 5 ms.

# ODC DC Output Modules

## Input Specifications

Parameter	Conditions	Units	ODC-5 ODC-5A			ODC-15 ODC-15A			ODC-24 ODC-24A		
			Min.	Typ.	Max.	Min.	Typ.	Max.	Min.	Typ.	Max.
Control Voltage Range $V_{IN}$		VDC	3	5	8	9	15	18	18	24	32
Must Operate Voltage $V_{IN(OP)}$		VDC			3			9			18
Must Release Voltage $V_{IN(REL)}$		VDC	1			1			1		
Maximum Input Current	@ $V_{IN}=Nominal$	mADC			18			16			13
Input Resistance $R_{IN}$		Ohms			250			1000			2000

PIN-3 must be positive with respect to PIN-4 for correct operation.

## Output Specifications (@ +25°C unless otherwise specified)

Parameter	Conditions	Units	ODC-5 ODC-24 ODC-15			ODC-5A ODC-24A ODC-15A		
			Min.	Typ.	Max.	Min.	Typ.	Max.
Load Voltage $V_L$		VDC	3		60	3		250
Load Current $I_L$		ADC	.01		3	.01		1
Maximum Surge Current for 1 Second		ADC			5			5
Maximum Leakage Current (Off-State)	$V_L=MAX$	µADC			500			2000
Maximum On-State Voltage Drop	$I_L=MAX$	VDC			1.5			1.5
Maximum Turn-On Time		ms			.1			.1
Maximum Turn-Off Time		ms			.75			.75

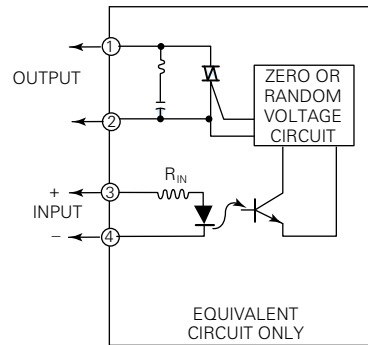
At 40°C, derate by 50mA/°C to 80°C.

PIN-1 must be positive with respect to PIN-2 for correct operation.

IAC Operating Diagram



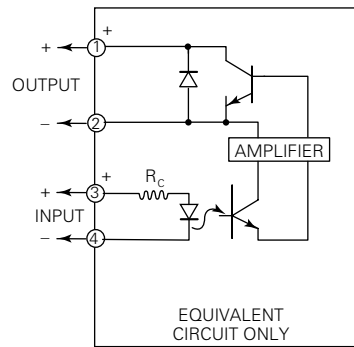
OAC Operating Diagram



IDC Operating Diagram



ODC Operating Diagram



Outline Dimensions



Note: Pin 5 is not present on Output Modules.