

THIS DRAWING IS UNPUBLISHED. RELEASED FOR PUBLICATION
 © COPYRIGHT ALL RIGHTS RESERVED.

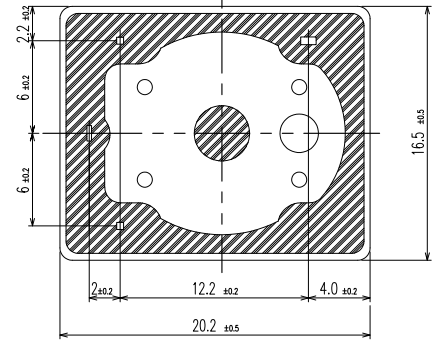
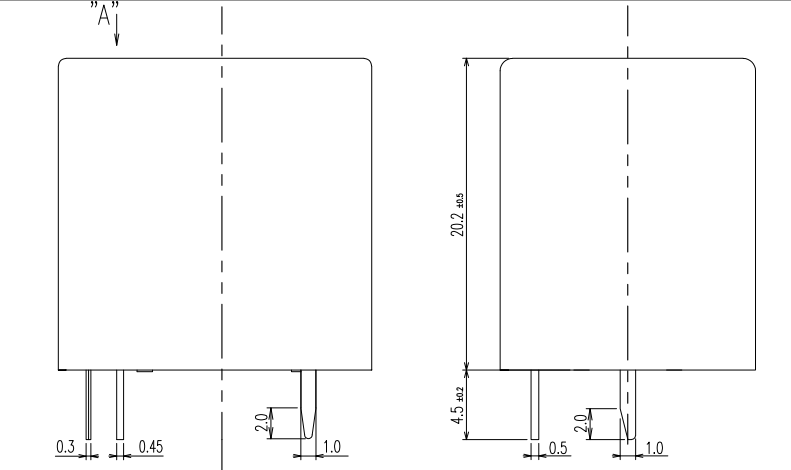
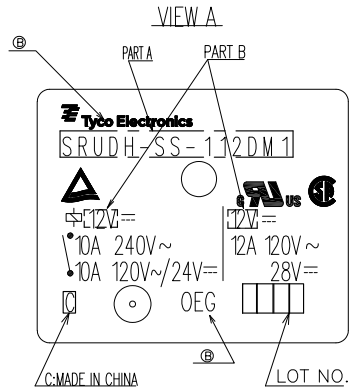
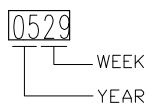


Diagram dimension	Tolerance
0.99mm max.	±0.1mm
1 - 2.99mm	±0.2mm
3mm min.	±0.3mm

LOC	DIST	REVISIONS					
HH		P	LTR	DESCRIPTION	DATE	DWN	APVD
		B1		REVISED PER ECO-11-005140	29MAR11	RK	HMR



NOTE
 1. LOT NO SYSTEM AS FOLLOWING:



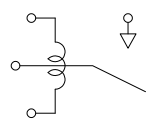
DIMENSIONS: mm		TOLERANCES UNLESS OTHERWISE SPECIFIED:		DWN	H.SAKAKI	TE Connectivity	
		0 PLC ± 1 PLC ± 2 PLC ± 3 PLC ± 4 PLC ± 5 PLC ± 6 PLC ± 7 PLC ± 8 PLC ± 9 PLC ± 10 PLC ± 11 PLC ± 12 PLC ± 13 PLC ± 14 PLC ± 15 PLC ± 16 PLC ± 17 PLC ± 18 PLC ± 19 PLC ± 20 PLC ± 21 PLC ± 22 PLC ± 23 PLC ± 24 PLC ± 25 PLC ± 26 PLC ± 27 PLC ± 28 PLC ± 29 PLC ± 30 PLC ± 31 PLC ± 32 PLC ± 33 PLC ± 34 PLC ± 35 PLC ± 36 PLC ± 37 PLC ± 38 PLC ± 39 PLC ± 40 PLC ± 41 PLC ± 42 PLC ± 43 PLC ± 44 PLC ± 45 PLC ± 46 PLC ± 47 PLC ± 48 PLC ± 49 PLC ± 50 PLC ± 51 PLC ± 52 PLC ± 53 PLC ± 54 PLC ± 55 PLC ± 56 PLC ± 57 PLC ± 58 PLC ± 59 PLC ± 60 PLC ± 61 PLC ± 62 PLC ± 63 PLC ± 64 PLC ± 65 PLC ± 66 PLC ± 67 PLC ± 68 PLC ± 69 PLC ± 70 PLC ± 71 PLC ± 72 PLC ± 73 PLC ± 74 PLC ± 75 PLC ± 76 PLC ± 77 PLC ± 78 PLC ± 79 PLC ± 80 PLC ± 81 PLC ± 82 PLC ± 83 PLC ± 84 PLC ± 85 PLC ± 86 PLC ± 87 PLC ± 88 PLC ± 89 PLC ± 90 PLC ± 91 PLC ± 92 PLC ± 93 PLC ± 94 PLC ± 95 PLC ± 96 PLC ± 97 PLC ± 98 PLC ± 99 PLC ± 100 PLC ±		CHK	Y.OIKAWA		
MATERIAL		FINISH		APVD	A.NAGAI	SRUDH-DM1,000B SPECIAL	
				PRODUCT SPEC		RESTRICTED TO	
				APPLICATION SPEC		SIZE	A3
				WEIGHT		CAGE CODE	00779
				CUSTOMER DRAWING		DRAWING NO	1721440
						SCALE	4:1
						SHEET	1 OF 2
						REV	B 1

THIS DRAWING IS UNPUBLISHED. RELEASED FOR PUBLICATION
 © COPYRIGHT ALL RIGHTS RESERVED.

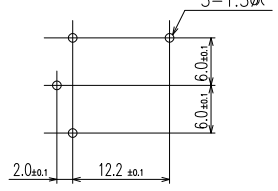
LOC		DIST		REVISIONS					
P	LTR	DESCRIPTION	ECN	DATE	DWN	APVD			

TE CONNECTIVITY PART NO	DESCRIPTION	PACKING SPECIFICATION	PART B	PART A	ITEM
3-1419146-3	SRUDH-SS-105DM1	107-79007	5V	SRUDH-SS-105DM1	y
3-1419146-2	SRUDH-SH-148DM1	107-79007	48V	SRUDH-SH-148DM1	x
9-1419126-0	SRUDH-SH-124DM1	107-79007	24V	SRUDH-SH-124DM1	w
1461902-1	SRUDH-SH-115DM1	107-79007	15V	SRUDH-SH-115DM1	v
8-1419126-4	SRUDH-SH-112DM1	107-79007	12V	SRUDH-SH-112DM1	u
3-1419146-1	SRUDH-SH-109DM1	107-79007	9V	SRUDH-SH-109DM1	t
7-1419126-8	SRUDH-SH-106DM1	107-79007	6V	SRUDH-SH-106DM1	s
3-1419146-0	SRUDH-SH-105DM1	107-79007	5V	SRUDH-SH-105DM1	r
2-1419146-8	SRUDH-SH-103DM1	107-79007	3V	SRUDH-SH-103DM1	q
1-1721440-6	SRUDH-SH-148DM1	107-79033	48V	SRUDH-SH-148DM1	p
1-1721440-5	SRUDH-SH-124DM1	107-79033	24V	SRUDH-SH-124DM1	o
1-1721440-4	SRUDH-SH-118DM1	107-79033	18V	SRUDH-SH-118DM1	n
1-1721440-3	SRUDH-SH-112DM1	107-79033	12V	SRUDH-SH-112DM1	m
1-1721440-2	SRUDH-SH-109DM1	107-79033	9V	SRUDH-SH-109DM1	l
1-1721440-1	SRUDH-SH-106DM1	107-79033	6V	SRUDH-SH-106DM1	k
1-1721440-0	SRUDH-SH-105DM1	107-79033	5V	SRUDH-SH-105DM1	j
1721440-9	SRUDH-SH-103DM1	107-79033	3V	SRUDH-SH-103DM1	i
1721440-8	SRUDH-SS-148DM1	107-79033	48V	SRUDH-SS-148DM1	h
1721440-7	SRUDH-SS-124DM1	107-79033	24V	SRUDH-SS-124DM1	g
1721440-6	SRUDH-SS-118DM1	107-79033	18V	SRUDH-SS-118DM1	f
1721440-5	SRUDH-SS-112DM1	107-79033	12V	SRUDH-SS-112DM1	e
1721440-4	SRUDH-SS-109DM1	107-79033	9V	SRUDH-SS-109DM1	d
1721440-3	SRUDH-SS-106DM1	107-79033	6V	SRUDH-SS-106DM1	c
1721440-2	SRUDH-SS-105DM1	107-79033	5V	SRUDH-SS-105DM1	b
1721440-1	SRUDH-SS-103DM1	107-79033	3V	SRUDH-SS-103DM1	a

3. WIRING DIAGRAMS



4. PC BOARD LAYOUTS



UL 94V-0	UV RESIN	UV SEAL (FOR SH TYPE)	ITEM
	EPOXY RESIN	SEAL	13
	UEW	MAGNETIC WIRE	12
	PBT	CASE	11
	PBT	BOBBIN	10
	CP WIRE	COIL TERMINAL	9
	Ag ALLOY	STATIONARY CONTACT	8
	Ag ALLOY	MOVABLE CONTACT	7
	Cu ALLOY	DUMMY B-TERMINAL	6
	Cu	M-TERMINAL	5
	Cu ALLOY	MOVABLE SPRING	4
	Ni PLATING	STEEL CORE	3
	Ni PLATING	STEEL ARMATURE	2
	Ni PLATING	STEEL YOKE	1

DIMENSIONS: mm		TOLERANCES UNLESS OTHERWISE SPECIFIED:		DWN				
		0 PLC ± 1 PLC ± 2 PLC ± 3 PLC ± 4 PLC ± ANGLES ±		CHK				
MATERIAL		FINISH		APVD	NAME			
				PRODUCT SPEC	SRUDH-DM1,000B SPECIAL			
				APPLICATION SPEC	SIZE	CAGE CODE	DRAWING NO	RESTRICTED TO
				WEIGHT	A3	00779	1721440	-
				CUSTOMER DRAWING	SCALE 4:1		SHEET 2 OF 2	REV B1