

THIS DRAWING IS UNPUBLISHED. RELEASED FOR PUBLICATION
 © COPYRIGHT BY TYCO ELECTRONICS CORPORATION. ALL RIGHTS RESERVED.

LOC	DIST	REVISIONS					
P	LTR	DESCRIPTION	ECN	DATE	DWN	APVD	
01		ADD SPEC (TUBE PACKAGE)	FK00-0168-04	13-SEP-04	Y.O	A.N	
A		ADD P/N & ADD SHEET & BASE DESIGN CHANGE	FK00-0033-05	01-FEB-05	H.S	A.N	
B		MODIFY STRUCTURE OF CASE CORE AND YOKE AND USE NEW LOGO.	ECO-07-015714	16-JUN-07	FS.H	BH.Y	
B		REVIEW UP	ECO-08-028718	30-DEC-08	FS.H	BH.Y	

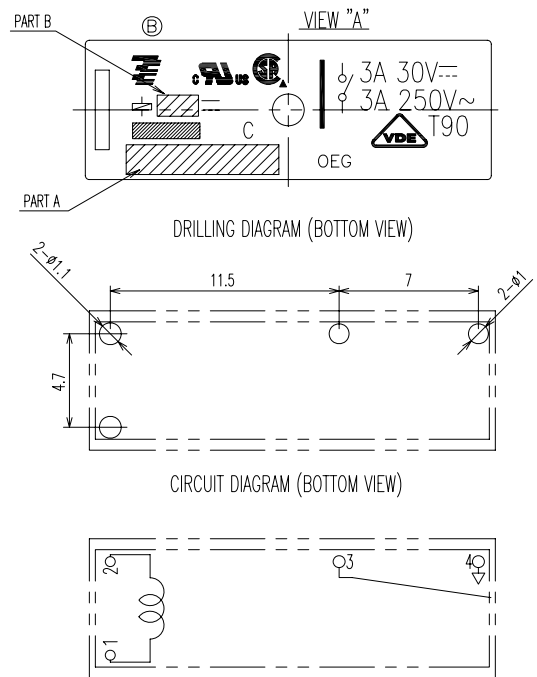
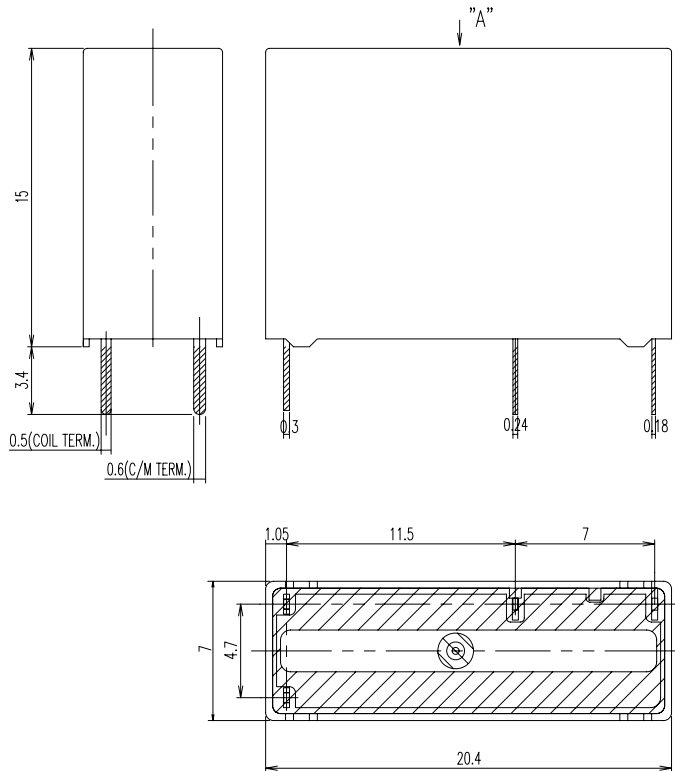


DIAGRAM DIMENSION	TOLERANCE
0.99mm max.	±0.1mm
1 - 2.99mm	±0.2mm
3mm min.	±0.3mm

THIS DRAWING IS A CONTROLLED DOCUMENT FOR TYCO ELECTRONICS CORPORATION
 IT IS SUBJECT TO CHANGE AND THE CONTROLLING ENGINEERING ORGANIZATION
 SHOULD BE CONTACTED FOR THE LATEST REVISION.

DIMENSIONS: mm

TOLERANCES UNLESS OTHERWISE SPECIFIED:

0 PLC ±
 1 PLC ±
 2 PLC ±
 3 PLC ±
 4 PLC ±
 ANGLES ±

MATERIAL FINISH

DWN	H.Sasaki	Tyco Electronics Corporation Shenzhen, China	
CHK	Y.Oikawa		
APVD	A.Nagai	NAME	
PRODUCT SPEC		PCJ SPEC ,301	
APPLICATION SPEC		SIZE	A3
WEIGHT		CAGE CODE	00779
CUSTOMER DRAWING		DRAWING NO	1721081
		RESTRICTED TO	
		SCALE	5:1
		SHEET	1 OF 3
		REV	B1

THIS DRAWING IS UNPUBLISHED.

RELEASED FOR PUBLICATION

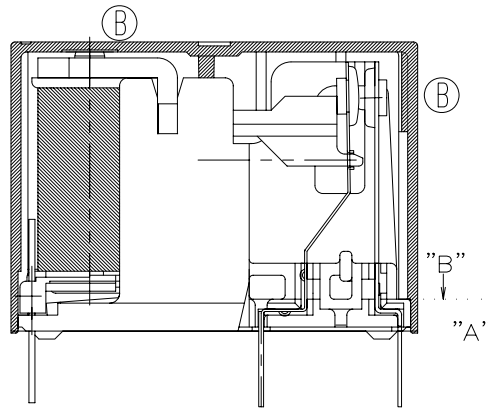
© COPYRIGHT BY TYCO ELECTRONICS CORPORATION. ALL RIGHTS RESERVED.

LOC HB DIST

REVISIONS

P	LTR	DESCRIPTION	ECN	DATE	DWN	APVD

ⓑ CHANGE CASE,CORE,YOKE : REV_A ==> B



<small>THIS DRAWING IS A CONTROLLED DOCUMENT FOR TYCO ELECTRONICS CORPORATION IT IS SUBJECT TO CHANGE AND THE CONTROLLING ENGINEERING ORGANIZATION SHOULD BE CONTACTED FOR THE LATEST REVISION.</small>		DWN CHK APVD PRODUCT SPEC APPLICATION SPEC WEIGHT CUSTOMER DRAWING		Tyco Electronics Corporation Shenzhen, China		NAME PCJ SPEC ,301		RESTRICTED TO	
DIMENSIONS: mm		TOLERANCES UNLESS OTHERWISE SPECIFIED:		SIZE A3		CAGE CODE 00779		DRAWING NO 1721081	
		0 PLC ± 1 PLC ± 2 PLC ± 3 PLC ± 4 PLC ± ANGLES ±		SCALE 5:1		SHEET 2 OF 3		REV B1	
MATERIAL		FINISH		SCALE 5:1		SHEET 2 OF 3		REV B1	

THIS DRAWING IS UNPUBLISHED. RELEASED FOR PUBLICATION
 © COPYRIGHT BY TYCO ELECTRONICS CORPORATION. ALL RIGHTS RESERVED.

LOC	DIST	REVISIONS				
P	LTR	DESCRIPTION	ECN	DATE	DWN	APVD

N	PCJ-124D3MH,301S	2-1721081-8	107-79053 (TUBE)	24V	PCJ-124D3MH
M	PCJ-118D3MH,301S	2-1721081-7	107-79053 (TUBE)	18V	PCJ-118D3MH
L	PCJ-112D3MH,301S	2-1721081-6	107-79053 (TUBE)	12V	PCJ-112D3MH
K	PCJ-109D3MH,301S	2-1721081-5	107-79053 (TUBE)	9V	PCJ-109D3MH
J	PCJ-106D3MH,301S	2-1721081-4	107-79053 (TUBE)	6V	PCJ-106D3MH
I	PCJ-105D3MH,301S	2-1721081-3	107-79053 (TUBE)	5V	PCJ-105D3MH
H	PCJ-103D3MH,301S	2-1721081-2	107-79053 (TUBE)	3V	PCJ-103D3MH
G	PCJ-124D3M,301S	2-1721081-1	107-79053 (TUBE)	24V	PCJ-124D3M
F	PCJ-118D3M,301S	2-1721081-0	107-79053 (TUBE)	18V	PCJ-118D3M
E	PCJ-112D3M,301S	1-1721081-9	107-79053 (TUBE)	12V	PCJ-112D3M
D	PCJ-109D3M,301S	1-1721081-8	107-79053 (TUBE)	9V	PCJ-109D3M
C	PCJ-106D3M,301S	1-1721081-7	107-79053 (TUBE)	6V	PCJ-106D3M
B	PCJ-105D3M,301S	1-1721081-6	107-79053 (TUBE)	5V	PCJ-105D3M
A	PCJ-103D3M,301S	1-1721081-5	107-79053 (TUBE)	3V	PCJ-103D3M
n	PCJ-124D3MH,301	1-1721081-4	107-79014 (TRAY)	24V	PCJ-124D3MH
m	PCJ-118D3MH,301	1-1721081-3	107-79014 (TRAY)	18V	PCJ-118D3MH
l	PCJ-112D3MH,301	1-1721081-2	107-79014 (TRAY)	12V	PCJ-112D3MH
k	PCJ-109D3MH,301	1-1721081-1	107-79014 (TRAY)	9V	PCJ-109D3MH
j	PCJ-106D3MH,301	1-1721081-0	107-79014 (TRAY)	6V	PCJ-106D3MH
i	PCJ-105D3MH,301	1721081-9	107-79014 (TRAY)	5V	PCJ-105D3MH
h	PCJ-103D3MH,301	1721081-8	107-79014 (TRAY)	3V	PCJ-103D3MH
g	PCJ-124D3M,301	1721081-7	107-79014 (TRAY)	24V	PCJ-124D3M
f	PCJ-118D3M,301	1721081-6	107-79014 (TRAY)	18V	PCJ-118D3M
e	PCJ-112D3M,301	1721081-5	107-79014 (TRAY)	12V	PCJ-112D3M
d	PCJ-109D3M,301	1721081-4	107-79014 (TRAY)	9V	PCJ-109D3M
c	PCJ-106D3M,301	1721081-3	107-79014 (TRAY)	6V	PCJ-106D3M
b	PCJ-105D3M,301	1721081-2	107-79014 (TRAY)	5V	PCJ-105D3M
a	PCJ-103D3M,301	1721081-1	107-79014 (TRAY)	3V	PCJ-103D3M
No	DESCRIPTION	TE PART NO	PACKING SPECIFICATION	PART B	PART A

nn	PCJ-124D3MH,301M	4-1721081-2	107-79048 (TUBE)	24V	PCJ-124D3MH
mm	PCJ-118D3MH,301M	4-1721081-1	107-79048 (TUBE)	18V	PCJ-118D3MH
ll	PCJ-112D3MH,301M	4-1721081-0	107-79048 (TUBE)	12V	PCJ-112D3MH
kk	PCJ-109D3MH,301M	3-1721081-9	107-79048 (TUBE)	9V	PCJ-109D3MH
jj	PCJ-106D3MH,301M	3-1721081-8	107-79048 (TUBE)	6V	PCJ-106D3MH
ii	PCJ-105D3MH,301M	3-1721081-7	107-79048 (TUBE)	5V	PCJ-105D3MH
hh	PCJ-103D3MH,301M	3-1721081-6	107-79048 (TUBE)	3V	PCJ-103D3MH
gg	PCJ-124D3M,301M	3-1721081-5	107-79048 (TUBE)	24V	PCJ-124D3M
ff	PCJ-118D3M,301M	3-1721081-4	107-79048 (TUBE)	18V	PCJ-118D3M
ee	PCJ-112D3M,301M	3-1721081-3	107-79048 (TUBE)	12V	PCJ-112D3M
dd	PCJ-109D3M,301M	3-1721081-2	107-79048 (TUBE)	9V	PCJ-109D3M
cc	PCJ-106D3M,301M	3-1721081-1	107-79048 (TUBE)	6V	PCJ-106D3M
bb	PCJ-105D3M,301M	3-1721081-0	107-79048 (TUBE)	5V	PCJ-105D3M
aa	PCJ-103D3M,301M	2-1721081-9	107-79048 (TUBE)	3V	PCJ-103D3M
No	DESCRIPTION	TE PART NO	PACKING SPECIFICATION	PART B	PART A

		Sn-Ag-Cu	SOLDER	18
94V-0		PBT	CASE	17
		UV	SEAL(BASE)	16
		EPOXY	SEAL(CASE AND BASE)	15
		JUEW	MAGNETIC WIRE	14
94V-0		PBT	CARD	13
		Ag ALLOY	STATIONARY CONTACT	12
	SOLDER DIP	Cu ALLOY	STATIONARY TERMINAL	11
		Ag ALLOY	MOVABLE CONTACT	10
	SOLDER DIP	Cu ALLOY	MOVABLE SPRING	9
94V-0		PBT	BASE	8
		STAINLESS	HINGE SPRING	7
	NIP	STEEL	ARMATURE	6
	NIP	STEEL	CORE	5
	NIP	STEEL	YOKE	4
	SOLDER DIP	Cu ALLOY	COIL TERMINAL B	3
	SOLDER DIP	Cu ALLOY	COIL TERMINAL A	2
94V-0		PBT	BOBBIN	1
INCOMBUSTIBILITY	TREATMENT	MATERIAL	DESCRIPTION	ITEM

(A) RELAY TYPE

RELAY TYPE

THIS DRAWING IS A CONTROLLED DOCUMENT FOR TYCO ELECTRONICS CORPORATION. IT IS SUBJECT TO CHANGE AND THE CONTROLLING ENGINEERING ORGANIZATION SHOULD BE CONTACTED FOR THE LATEST REVISION.		DWN	Tyco Electronics Tyco Electronics Corporation Shenzhen, China		
DIMENSIONS: mm		CHK	NAME PCJ SPEC ,301		
TOLERANCES UNLESS OTHERWISE SPECIFIED: 0 PLC 1 PLC 2 PLC 3 PLC 4 PLC ANGLES		APVD	PRODUCT SPEC		
MATERIAL		FINISH	APPLICATION SPEC		
		WEIGHT	SIZE A3		
		CUSTOMER DRAWING	CAGE CODE 00779	DRAWING NO 1721081	RESTRICTED TO
			SCALE 5:1	SHEET 3 OF 3	REV B1