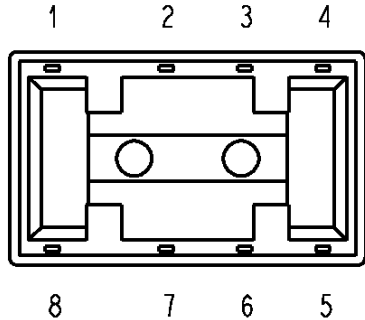
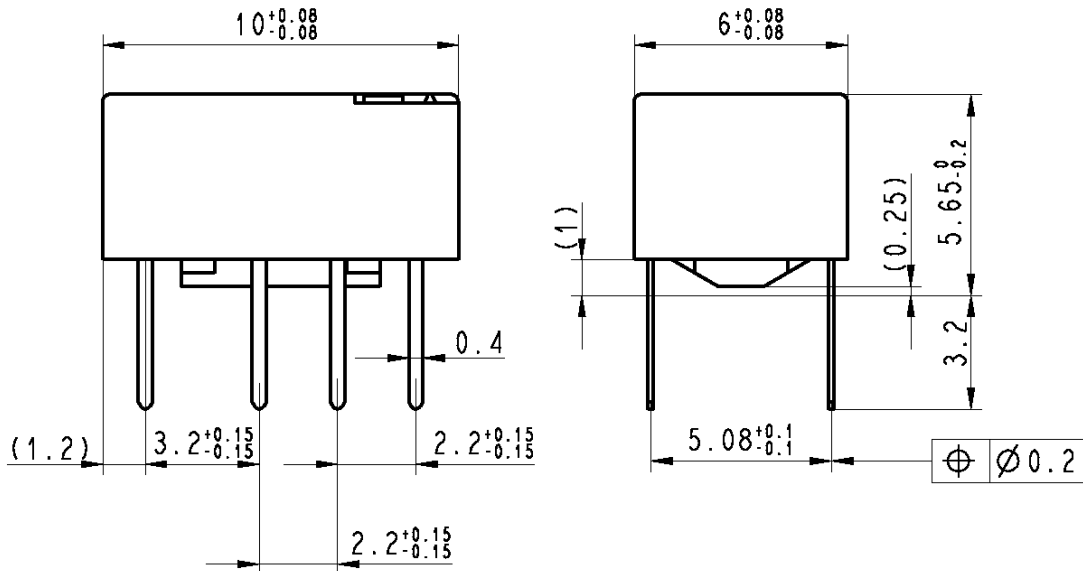


| | | | | | | | |
|-----|------|-----------|-----|---------------------------|---------|-----|------|
| LOC | DIST | REVISIONS | | | | | |
| HJ | - | P | LTR | DESCRIPTION | DATE | DWN | APVD |
| | | A8 | | REVISED PER ECO-11-005150 | 25MAR11 | RK | HMR |



Relay - bottom view



XX = Relay type
 ZZ = nominal voltage
 YYWW = Date code

THIS DRAWING IS UNPUBLISHED. ALL RIGHTS RESERVED. © COPYRIGHT BY -

DRAWING ALIAS E2002-DOK02

| | | | |
|--|------------------------|------------------------------|---------------|
| DIMENSIONS: mm | DWN UKo 9193 28Aug1998 | MATERIAL | FINISH |
| | CHK HD 9121 28Aug1998 | | |
| TOLERANCES UNLESS OTHERWISE SPECIFIED: DIN 7168-m | APVD HD 9121 28Aug1998 | TE Connectivity | |
| 0 PLC ±- | PRODUCT SPEC | | |
| 1 PLC ±- | - | NAME IM-Relay THT (Standard) | |
| 2 PLC ±- | APPLICATION SPEC | Dimensions | |
| 3 PLC ±- | - | SIZE | RESTRICTED TO |
| 4 PLC ±- | WEIGHT | A4 | - |
| ANGLES ±- | | CAGE CODE | |
| | | 00779 | |
| | | DRAWING NO | |
| | | C-1462037-4 | |
| | | SCALE | |
| | | 5:1 | |
| | | SHEET | |
| | | 1 | |
| | | OF | |
| | | 1 | |
| | | REV | |
| | | A8 | |

CUSTOMER DRAWING