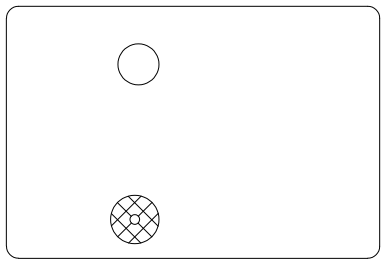


THIS DRAWING IS UNPUBLISHED. RELEASED FOR PUBLICATION  
 © COPYRIGHT ALL RIGHTS RESERVED.

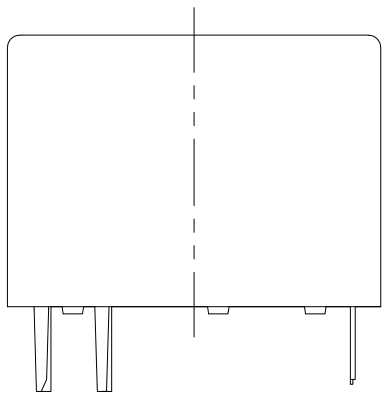
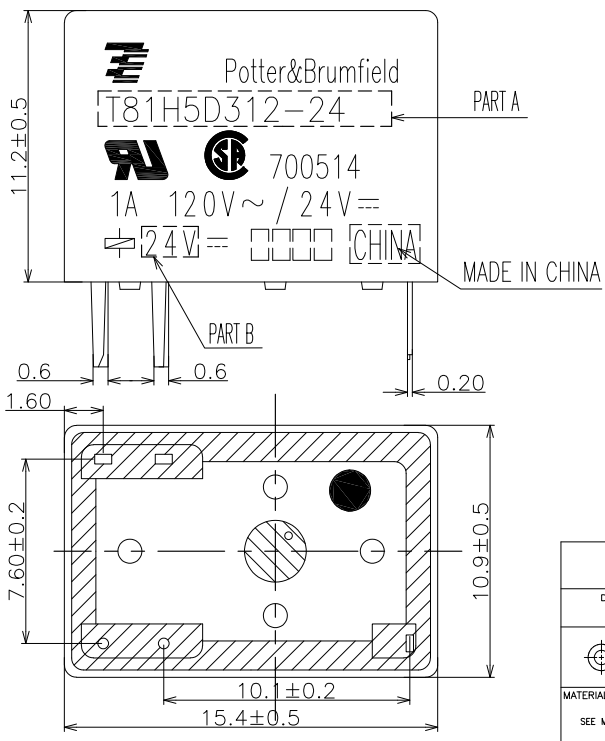
LOC	DIST	REVISIONS					
HB		P	LTR	DESCRIPTION	DATE	DWN	APVD
		A1		REVISED PER ECO-11-005140	29MAR11	RK	HMR



GENERAL TOLERANCE

Diagram dimension	Tolerance
0.99mm max.	±0.1mm
1 - 2.99mm	±0.2mm
3mm min.	±0.3mm

NOTE:  
 1. LOT NO. SYSTEM AS FOLLOWING:



DIMENSIONS: mm	TOLERANCES UNLESS OTHERWISE SPECIFIED: 0 PLC ± 1 PLC ± 2 PLC ± 3 PLC ± 4 PLC ±	DWN	ZHUAN,ZHOU	TE Connectivity		
		CHK	BANGHUA,YU			
	FINISH	APVD	SUUNY ZHANG	T81 H/N CUSTOMER DRAWING		
		PRODUCT SPEC				
MATERIAL	SEE MATERIAL TABLE	APPLICATION SPEC		SIZE	A3	
		WEIGHT		DRAWING NO	1393779	
RESTRICTED DRAWING			SCALE	4:1	SHEET	1 of 2
			REV	A1		

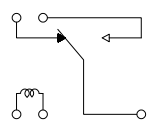
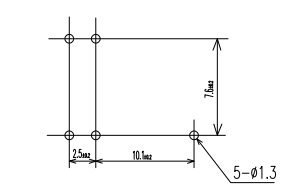
8 | 7 | 6 | 5 | 4 | 3 | 2 | 1

THIS DRAWING IS UNPUBLISHED. RELEASED FOR PUBLICATION  
 © COPYRIGHT ALL RIGHTS RESERVED.

LOC HB	DIST	REVISIONS						
		P	LTR	DESCRIPTION	ECN	DATE	DWN	APVD

PC Board Layout(Bottom View)

WIRING DIAGRAM (BOTTOM VIEW)



6-1393779-9	T81N5D312-05	5V	T81N5D312-05	i
7-1393779-2	T81N5D312-24	24V	T81N5D312-24	h
7-1393779-1	T81N5D312-12	12V	T81N5D312-12	q
7-1393779-0	T81N5D312-09	9V	T81N5D312-09	f
5-1393779-9	T81H5D312-24	24V	T81H5D312-24	e
5-1393779-8	T81H5D312-12	12V	T81H5D312-12	d
5-1393779-7	T81H5D312-09	9V	T81H5D312-09	c
5-1393779-6	T81H5D312-06	6V	T81H5D312-06	b
5-1393779-5	T81H5D312-05	5V	T81H5D312-05	a
PART NO	DESCRIPTION	PART B	PART A	ITEM

		UV	SEAL (FOR SEALED TYPE )	15
		SEAL GLUE	SEAL (CASE & BASE)	14
		3UEW	MAGNETIC WIRE	13
		HCP WIRE	COIL TERMINAL	12
		Ag ALLOY	B CONTACT	11
		Ag ALLOY	M CONTACT	10
		Ag ALLOY	MOVABLE CONTACT	9
		Cu ALLOY	B TERMINAL	8
		Cu ALLOY	M TERMINAL	7
		Cu ALLOY	MOVABLE SPRING	6
UL94V-0		PBT	BOBBIN	5
UL94V-0		PBT	CASE	4
		CSC C	CORE	3
	CuNi PLATING	SPCC	ARMATURE	2
	CuNi PLATING	SPCC	YOKE	1
INCOMBUSTIBILITY	TREATMENT	MATERIAL	DESCRIPTION	ITEM

DIMENSIONS: mm		TOLERANCES UNLESS OTHERWISE SPECIFIED:		DWN ZHUAN,ZHOU	TE Connectivity <b>T81 H/N CUSTOMERT DRAWING</b>
		0 PLC ± 1 PLC ± 2 PLC ± 3 P/C ± 4 P/C ±		CHK BANGHUA,YU	
MATERIAL SEE MATERIAL TABLE		FINISH		APVD SUUNY ZHANG	
				PRODUCT SPEC	
				APPLICATION SPEC	SIZE A3
				WEIGHT	DRAWING NO ©= 1393779
				RESTRICTED DRAWING	RESTRICTED TO
					SCALE 4:1 SHEET 2 of 2 REV A1

8 7 6 5 4 3 2 1