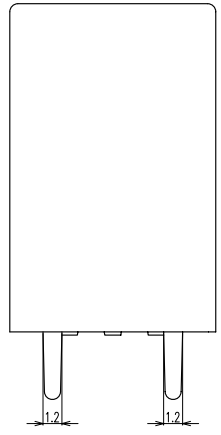
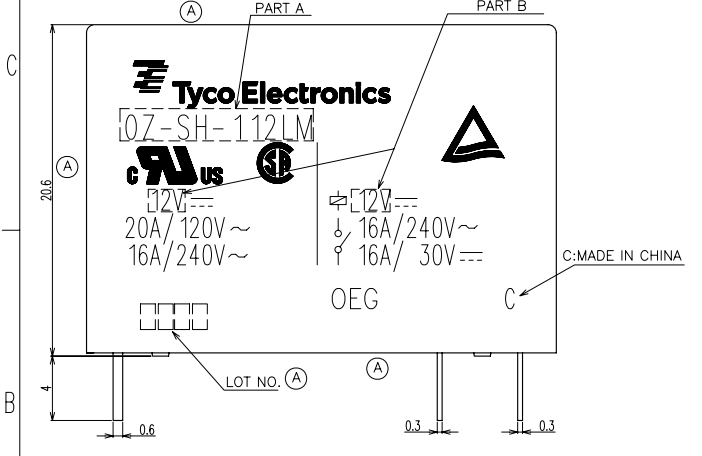
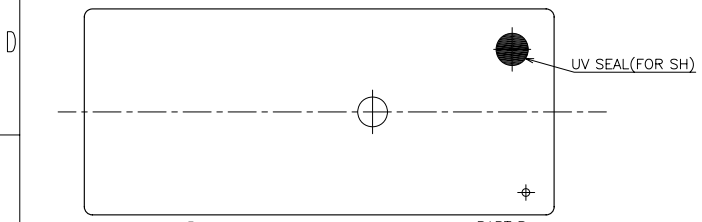


THIS DRAWING IS UNPUBLISHED. RELEASED FOR PUBLICATION
 © COPYRIGHT BY TYCO ELECTRONICS CORPORATION. ALL RIGHTS RESERVED.

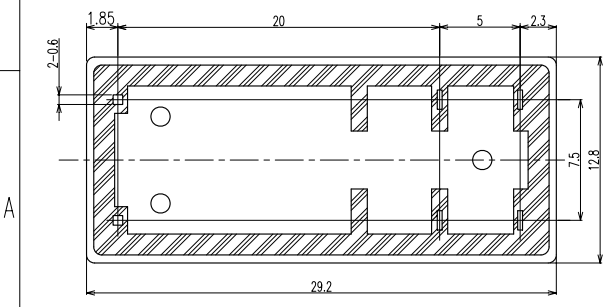
LOC		DIST		REVISIONS				
P	LTR	DESCRIPTION	ECN	DATE	DWN	APVD		
	O	RELEASE	FK00-0229-04	31-JAN-05	S.M.C	N.F		
	A	CHANGE DATE CODE AND NEW LOGO	ECO-08-007865	2-AUG-08	M.H.L	B.H.Y		



NOTES:
 1. TERMINAL DIMENSION IS NOT INCLUDING SOLDER TIP.
 2. LOT NO. SYSTEM AS FOLLOING:
 0825 WEEK YEAR

3. GENERAL TOLERANCE AS FOLLOING:

TOLERANCE	
0~0.99mm	±0.1
1mm~2.99mm	±0.2
3mm MIN.	±0.3



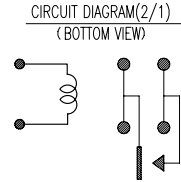
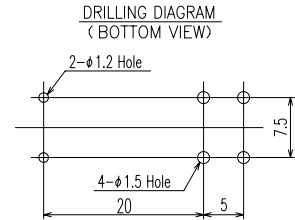
THIS DRAWING IS A CONTROLLED DOCUMENT FOR TYCO ELECTRONICS CORPORATION IT IS SUBJECT TO CHANGE AND THE CONTROLLING ENGINEERING ORGANIZATION SHOULD BE CONTACTED FOR THE LATEST REVISION.		DWN SHIMING.CHEN	Tyco Electronics Corporation ShenZhen, China				
DIMENSIONS: mm		CHK WAYNE.PENG					
TOLERANCES UNLESS OTHERWISE SPECIFIED: 0 PLC 1 PLC 2 PLC 3 PLC 4 PLC ANGLES		APVD FUNAYAMA.NAOYA	NAME OZ-1M CUSTOMER DRAWING				
MATERIAL		FINISH	APPLICATION SPEC	SIZE A3	CAGE CODE 00779	DRAWING NO 1440002-5	RESTRICTED TO
CUSTOMER DRAWING			WEIGHT	SCALE 4:1		SHEET 1 OF 2	REV A

THIS DRAWING IS UNPUBLISHED. RELEASED FOR PUBLICATION
 © COPYRIGHT BY TYCO ELECTRONICS CORPORATION. ALL RIGHTS RESERVED.

LOC		DIST		REVISIONS					
P	LTR	DESCRIPTION		ECN	DATE	DWN	APVD		

1-1461250-9	OZ-SH-148LM1, 294	48V	OZ-SH-148LM1	x
1-1461250-7	OZ-SH-148DM1, 294	48V	OZ-SH-148DM1	w
1-1461250-5	OZ-SH-124LM1, 294	24V	OZ-SH-124LM1	v
1-1461250-3	OZ-SH-109LM1, 294	9V	OZ-SH-109LM1	u
1-1461250-1	OZ-SH-109DM1, 294	9V	OZ-SH-109DM1	t
0-1461250-9	OZ-SH-106LM1, 294	6V	OZ-SH-106LM1	s
0-1461250-7	OZ-SH-106DM1, 294	6V	OZ-SH-106DM1	r
0-1461250-4	OZ-SH-105DM1, 294	5V	OZ-SH-105DM1	q
0-1-1440002-0	OZ-SH-124DM1, 294	24V	OZ-SH-124DM1	p
0-1440002-8	OZ-SH-112LM1, 294	12V	OZ-SH-112LM1	o
0-1440002-5	OZ-SH-105LM1, 294	5V	OZ-SH-105LM1	n
7-1440009-5	OZ-SS-103LM1, 200	3V	OZ-SS-103LM1	m
0-1461355-1	OZ-SS-118DM1, 200	18V	OZ-SS-118DM1	l
0-1461251-5	OZ-SS-105DM1, 200	5V	OZ-SS-105DM1	k
0-1461251-4	OZ-SS-109DM1, 200	9V	OZ-SS-109DM1	j
0-1461251-3	OZ-SS-105LM1, 200	5V	OZ-SS-105LM1	i
3-1440002-0	OZ-SS-148DM1, 200	48V	OZ-SS-148DM1	h
2-1440002-9	OZ-SS-124LM1, 200	24V	OZ-SS-124LM1	g
2-1440002-6	OZ-SS-124DM1, 200	24V	OZ-SS-124DM1	f
2-1440002-4	OZ-SS-112LM1, 200	12V	OZ-SS-112LM1	e
2-1440002-2	OZ-SS-112DM1, 200	12V	OZ-SS-112DM1	d
2-1440002-0	OZ-SS-109LM1, 200	9V	OZ-SS-109LM1	c
1-1440002-7	OZ-SS-106LM1, 200	6V	OZ-SS-106LM1	b
1-1440002-5	OZ-SS-106DM1, 200	6V	OZ-SS-106DM1	a
PART NO	EC TYPE NAME	PART B	PART A	ITEM

RELAY TYPE



		UV RESIN	UV SEAL	16	
		EPOXY RESIN	SEAL	15	
		Cu ALLOY	HINGE SPRING	14	
		PBT	CASE	13	
		MW79	MAGNETIC WIRE	12	
UL94V-0		PET	BASE	11	
UL94HB		PBT	BOBBIN	10	
	SOLDER DIP	Cu ALLOY	COIL TERMINAL	9	
UL94V-0		PPS	CARD	8	
		Ag ALLOY	MOVABLE CONTACT	7	
		Ag ALLOY	STATIONARY CONTACT	6	
	SOLDER DIP	Cu ALLOY	MOVABLE SPRING	5	
	SOLDER DIP	Cu ALLOY	NO-TERMINAL	4	
		Ni PLATED	STEEL	CORE	3
		Ni PLATED	STEEL	ARMATURE	2
		Ni PLATED	STEEL	YOKE	1
INCOMBUSTIBILITY	TREATMENT	MATERIAL	DESCRIPTION	ITEM	

THIS DRAWING IS A CONTROLLED DOCUMENT FOR TYCO ELECTRONICS CORPORATION
 IT IS SUBJECT TO CHANGE AND THE CONTROLLING ENGINEERING ORGANIZATION
 SHOULD BE CONTACTED FOR THE LATEST REVISION.

DIMENSIONS:	TOLERANCES (UNLESS OTHERWISE SPECIFIED):
mm	0 P/C ±
	1 P/C ±
	2 P/C ±
	3 P/C ±
	4 P/C ±
	ANGLES ±
MATERIAL	FINISH
—	—

DWN	CHK	Tyco Electronics Tyco Electronics Corporation ShenZhen, China			
APVD	NAME	OZ-1M CUSTOMER DRAWING			
PRODUCT SPEC	SIZE	CAGE CODE	DRAWING NO	RESTRICTED TO	
APPLICATION SPEC	A3	00779	1440002-5	—	
WEIGHT	CUSTOMER DRAWING		SCALE	SHEET	
—	—		4:1	2 OF 2	
				REV A	